

# MC-1100 Series

## Quad-core fanless DIN-rail automation computers



### Features and Benefits

- Intel Atom Quad-core E3845 processor
- Dual storage (SD and CFast slots)
- Dual independent displays (VGA + display port)
- Variety of interfaces: 2 serial ports, 4 Giga LANs, 4 DI, 4 DOs, 2 USB 2.0 ports
- Mini-PCIe sockets for Wi-Fi, 3G, LTE, GPS
- 12 to 36 VDC, wide-range isolated power input
- -40 to 70°C system operating temperature range
- Moxa Smart Recovery utility to recover system from boot failure (W7E only)
- Marine-grade and ATEX, IECEx Zone 2 compliance

### Certifications



### Introduction

The MC-1100 Series DIN-rail mountable, fanless, x86 embedded computers use the Intel® Atom™ E3800 Series processor, feature the most reliable I/O design to maximize connectivity, and support wireless modules (Wi-Fi/3G/LTE), making them suitable for a diverse range of communication applications.

The MC-1100's wide operating temperature range (-40 to 70°C) and safety/EMI/EMS compliances make it ideal for intelligent computing and communication solutions in critical environments, including marine communication, oil and gas field site monitoring, and transportation.

The MC-1100 Series supports the "Moxa Proactive Monitoring" tool for device I/O status monitoring and alerts, system temperature monitoring and alerts, and system power management. Close monitoring of the system status makes it easier to recover from errors and provides the most reliable platform for your applications.

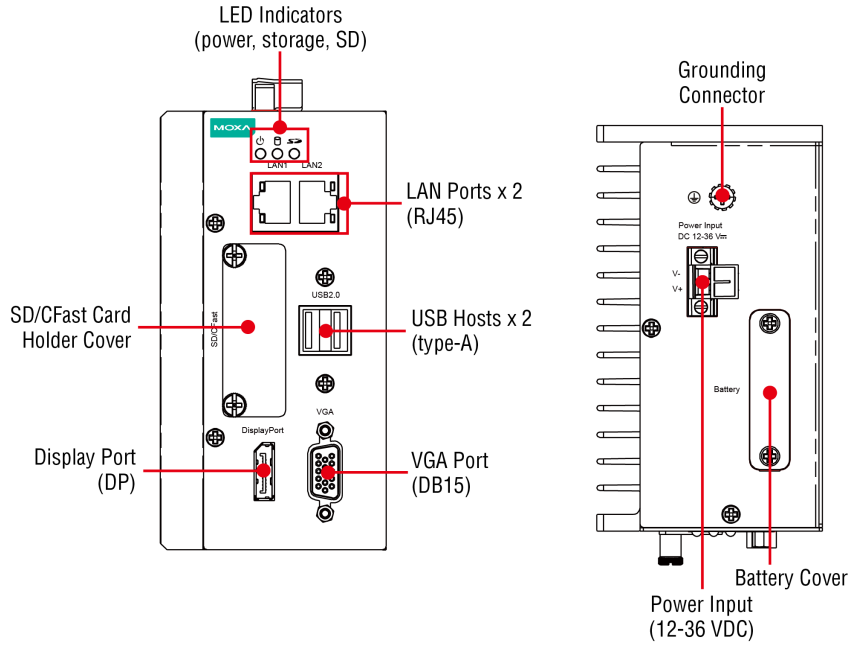
The MC-1100 Series is Microsoft Azure Certified for IoT. It can leverage the Microsoft reference configuration and has been tested to work with Microsoft Azure IoT services for Industrial IoT applications.

For more information on the Azure Certified for IoT program, visit: <https://catalog.azureiotsuite.com/>

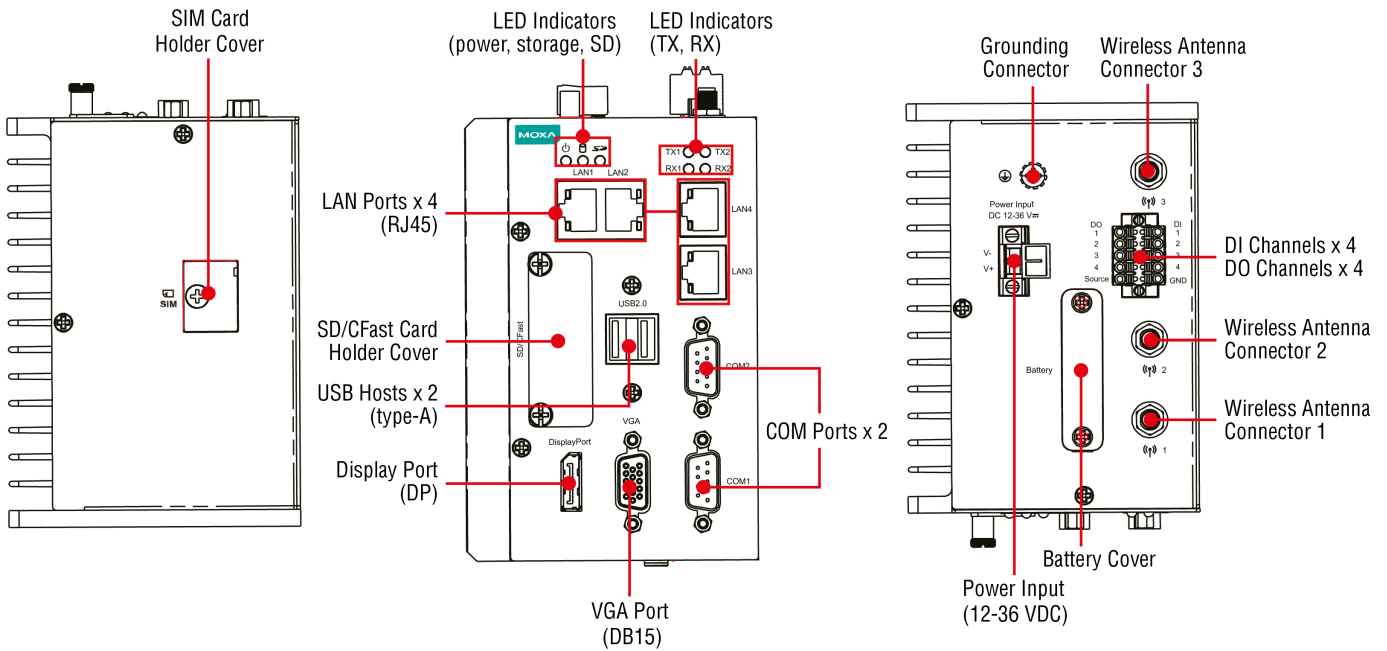
A complete list of Moxa's Azure Certified for IoT products is available at: <https://catalog.azureiotsuite.com/?q=moxa>

# Appearance

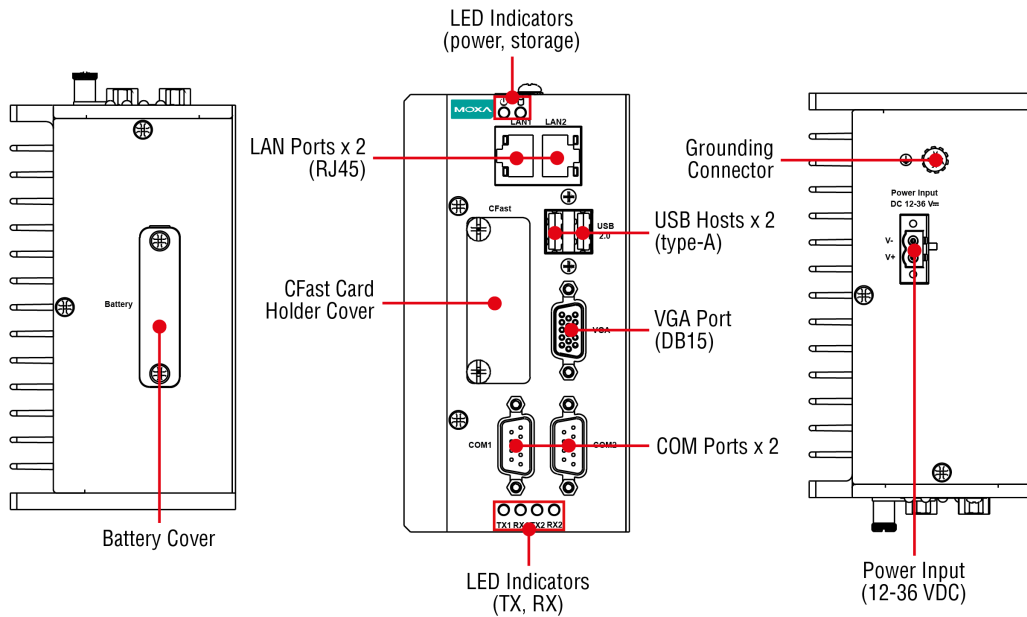
## MC-1111



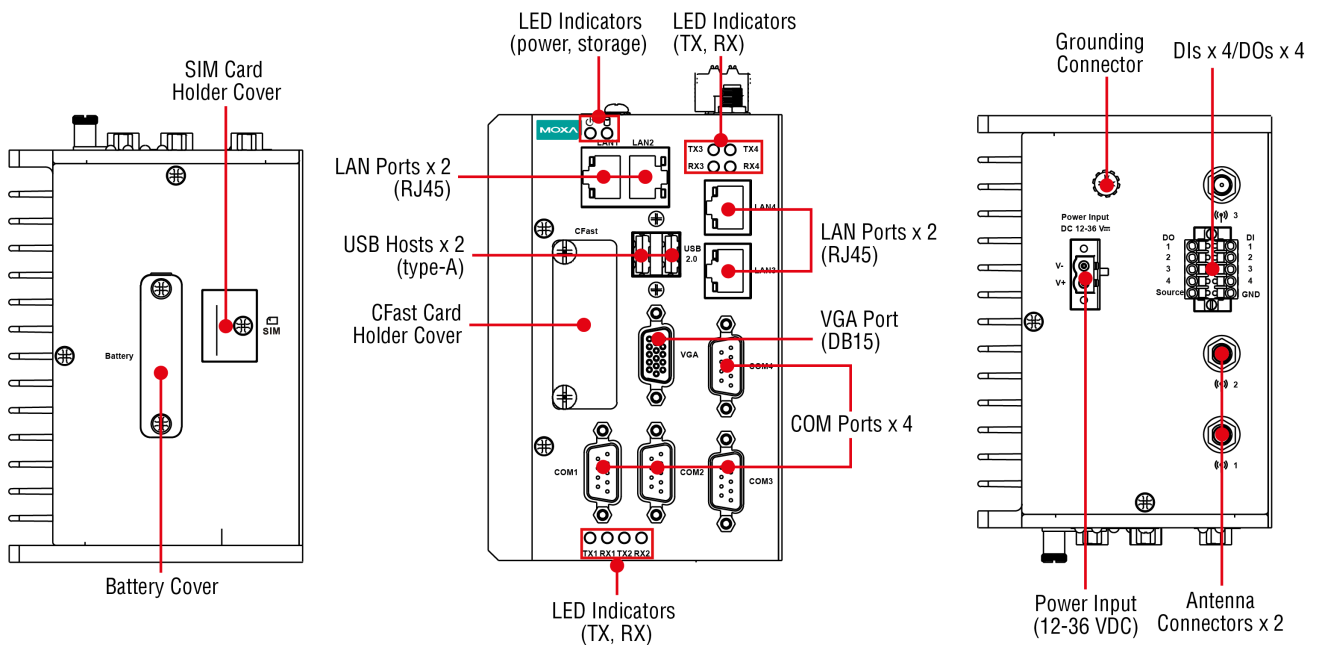
## MC-1121



## MC-1112



## MC-1122



## Specifications

### Computer

CPU	MC-1100-E2-T Series: Intel Atom® Processor E3826 (1M Cache, 1.46 GHz) MC-1100-E4-T Series: Intel Atom® Processor E3845 (2M Cache, 1.91 GHz)
Graphics Controller	Intel® HD Graphics
System Memory Pre-installed	4 GB DDR3L
System Memory Slot	SODIMM DDR3/DDR3L slot x 1
Supported OS	Linux Debian 8 (Linux kernel v4.1) Windows Embedded Standard 7 (WS7E) 64-bit Windows 10 Embedded IOT Ent 2016 LTSP
Storage Slot	All models: CFast x 1 MC-1111/1121 Series: SD x 1

## Computer Interface

Ethernet Ports	MC-1111/1112 Series: Auto-sensing 10/100/1000 Mbps ports (RJ45 connector) x 2 MC-1121/1122 Series: Auto-sensing 10/100/1000 Mbps ports (RJ45 connector) x 4
Serial Ports	MC-1121/1112 Series: RS-232/422/485 ports x 2, software-selectable (DB9 male) MC-1122 Series: RS-232/422/485 ports x 4, software-selectable (DB9 male)
USB 2.0	USB 2.0 hosts x 2, type-A connectors
Digital Input	MC-1121/1122 Series: DIs x 4
Digital Output	MC-1121/1122: DOs x 4
Expansion Slots	mPCIe slot x 1
TPM	TPM v1.2 (MC-1122-E4-TPM-T only)
Video Output	MC-1111/1121 Series: VGA x 1, DisplayPort x 1 All models: VGA x 1, 15-pin D-sub connector (female)
Number of SIMs	MC-1121/1122 Series: 1
SIM Format	MC-1121/1122 Series: Mini

## LED Indicators

System	Power x 1 Storage x 1
LAN	2 per port (10/100/1000 Mbps)
Serial	2 per port (Tx, Rx)

## Serial Interface

Baudrate	50 bps to 115.2 kbps
Connector	DB9 male
Data Bits	5, 6, 7, 8
Flow Control	ADDC® (automatic data direction control) for RS-485, RTS/CTS, XON/XOFF
Isolation	N/A
Parity	None, Even, Odd, Space, Mark

## Power Parameters

Input Voltage	11.4 to 36 VDC
Power Connector	Terminal block (for DC models)
Power Consumption	30 W (max.)

## Reliability

Automatic Reboot Trigger	Built-in WDT
--------------------------	--------------

## Physical Characteristics

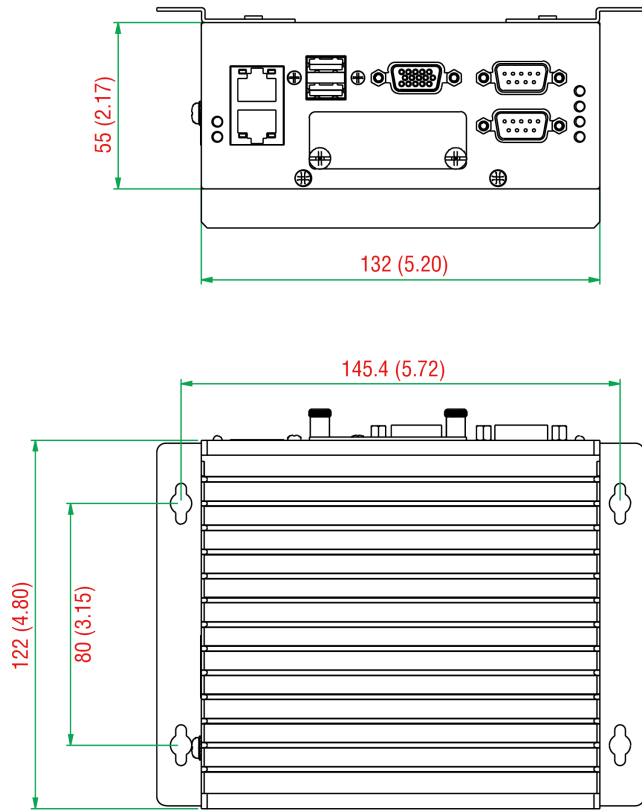
Housing	Metal
Dimensions	MC-1111/1112 Series: 132 x 122 x 68 mm (5.2 x 4.81 x 2.68 in) MC-1121/1122 Series: 132 x 122 x 87 mm (5.2 x 4.81 x 3.43 in)

Weight	MC-1111/1112 Series: 1,022 g (2.25 lb) MC-1121/1122 Series: 1,340 g (2.95 lb)
Installation	DIN-rail mounting, Wall mounting (with optional kit)
<b>Environmental Limits</b>	
Operating Temperature	-40 to 70°C (-40 to 158°F)
Storage Temperature (package included)	-45 to 75°C (-49 to 167°F)
Ambient Relative Humidity	5 to 95% (non-condensing)
<b>Standards and Certifications</b>	
EMC	EN 55032/24
EMI	CISPR 32, FCC Part 15B Class A
Hazardous Locations	ATEX Zone 2, Class I Division 2, IECEx Zone 2
Maritime	DNV-GL, IEC 60945
Radio Frequency	FCC
Safety	UL 60950-1
<b>Warranty</b>	
Warranty Period	3 years
Details	See <a href="http://www.moxa.com/warranty">www.moxa.com/warranty</a>
<b>Package Contents</b>	
Device	1 x MC-1100 Series computer
Cable	1 x terminal block to power jack converter
Installation Kit	1 x terminal block, 2-pin 1 x DIN-rail kit
Documentation	1 x quick installation guide 1 x warranty card

# Dimensions

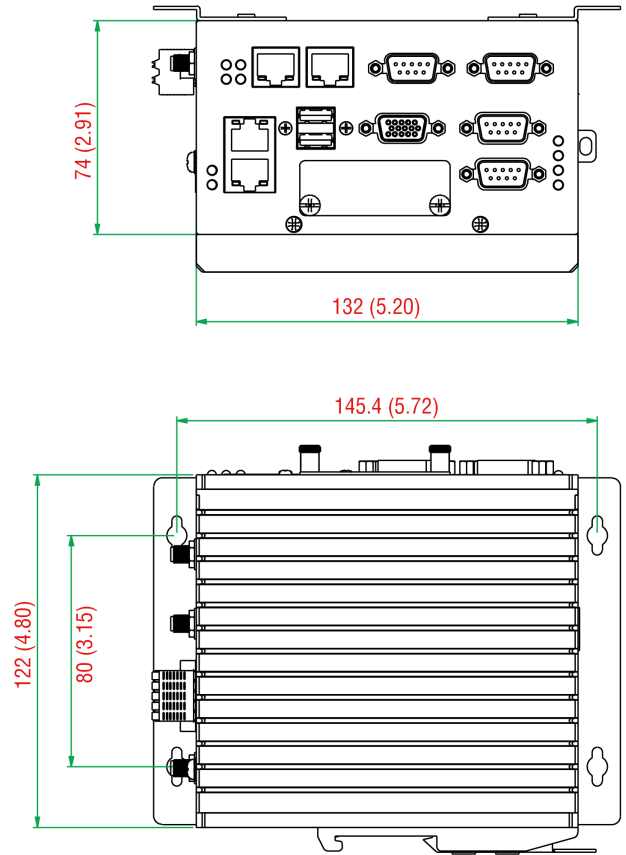
## MC-1112

Unit: mm (inch)



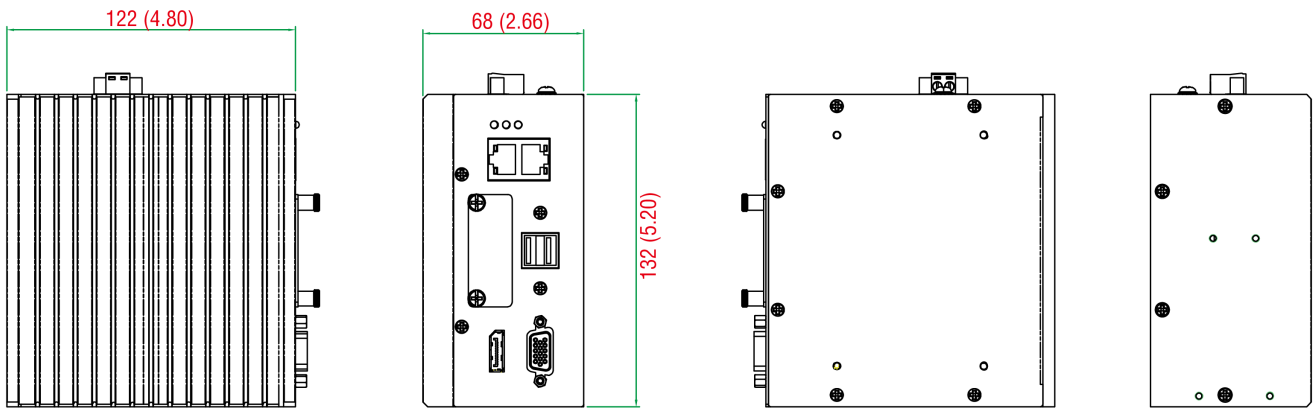
## MC-1122

Unit: mm (inch)



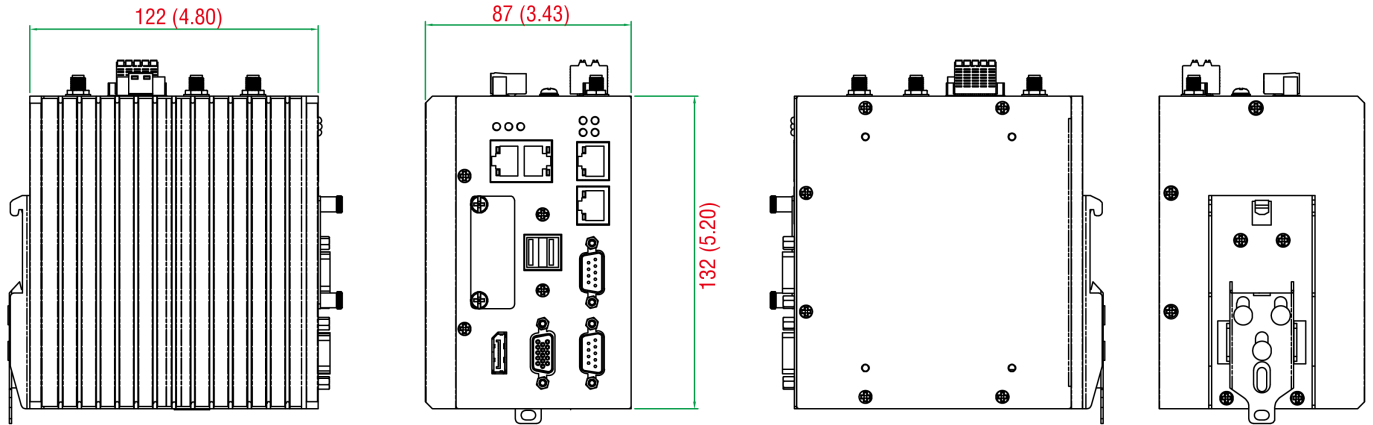
## MC-1111

Unit: mm (inch)



## MC-1121

Unit: mm (inch)



## Ordering Information

Model Name	CPU	RAM	Storage Slots	OS Preinstalled	LAN/Serial	USB 2.0	Video Outputs	Interface Expansion
MC-1111-E2-T	Intel Atom® E3826	4 GB	1 x CFast 1 x SD	-	2/-	2	1 x VGA 1 x DP	-
MC-1111-E4-T	Intel Atom® E3845	4 GB	1 x CFast 1 x SD	-	2/-	2	1 x VGA 1 x DP	-
MC-1121-E2-T	Intel Atom® E3826	4 GB	1 x CFast 1 x SD	-	4/2	2	1 x VGA 1 x DP	1 x mPCIe
MC-1121-E4-T	Intel Atom® E3845	4 GB	1 x CFast 1 x SD	-	4/2	2	1 x VGA 1 x DP	1 x mPCIe
MC-1121-E4-T-W7E	Intel Atom® E3845	4 GB	1 x CFast (32 GB preinstalled) 1 x SD	WS7E	4/2	2	1 x VGA 1 x DP	1 x mPCIe
MC-1112-E2-T	Intel Atom® E3826	4 GB	1 x CFast	-	2/2	2	1 x VGA	-
MC-1112-E4-T	Intel Atom® E3845	4 GB	1 x CFast	-	2/2	2	1 x VGA	-
MC-1122-E2-T	Intel Atom® E3826	4 GB	1 x CFast	-	4/4	2	1 x VGA	1 x mPCIe
MC-1122-E4-T	Intel Atom® E3845	4 GB	1 x CFast	-	4/4	2	1 x VGA	1 x mPCIe
MC-1122-E4-TPM-T	Intel Atom® E3845	4 GB	1 x CFast	-	4/4	2	1 x VGA	1 x mPCIe

## Accessories (sold separately)

### Antennas

ANT-LTEUS-ASM-01 GSM/GPRS/EDGE/UMTS/HSPA/LTE, omni-directional rubber duck antenna, 1 dBi

### DIN-Rail Mounting Kits

MC-1100 DIN-Rail Kit DIN-rail mounting kit, 4 screws

### Wall-Mounting Kits

MC-1100 Wallmount Kit Wall-mounting kit, 4 screws

### Wi-Fi Wireless Modules

Wi-Fi-BGN(252NI)	Wi-Fi module, 2 antennas with cable and connector, 2 black screws, 2 lock washers, 2 nuts, 1 thermal pad
------------------	--

#### Cables

CBL-F9DPF1x4-BK-100	Console cable with 4-pin connector, 1 m
---------------------	---

#### Power Cords

PWC-C7AU-2B-183	Power cord with Australian (AU) plug, 2.5A/250V, 1.83 m
PWC-C7CN-2B-183	Power cord with two-prong China (CN) plug, 1.83 m
PWC-C7EU-2B-183	Power cord with Continental Europe (EU) plug, 2.5A/250V, 1.83 m
PWC-C7UK-2B-183	Power cord with United Kingdom (UK) plug, 2.5A/250V, 1.83 m
PWC-C7US-2B-183	Power cord with United States (US) plug, 10A/125V, 1.83 m

#### Power Adapters

PWR-24270-DT-S1	Power adapter, input voltage 90 to 264 VAC, output voltage 24 V with 2.5 A DC load
-----------------	--

© Moxa Inc. All rights reserved. Updated Nov 12, 2018.

This document and any portion thereof may not be reproduced or used in any manner whatsoever without the express written permission of Moxa Inc. Product specifications subject to change without notice. Visit our website for the most up-to-date product information.