

MPC-2070 Series

7-inch industrial fanless panel computers



Features and Benefits

- 7-inch panel computer
- Intel® Atom™ processor E3826 1.46 GHz
- -40 to 70°C wide-temperature design, no fan or heater
- 1000-nit sunlight-readable LCD
- Glove-friendly, multi-touch screen
- Class 1 Division 2, ATEX Zone 2, and IECEx compliant¹
- Wide-range 10 to 36 VDC power input

Certifications



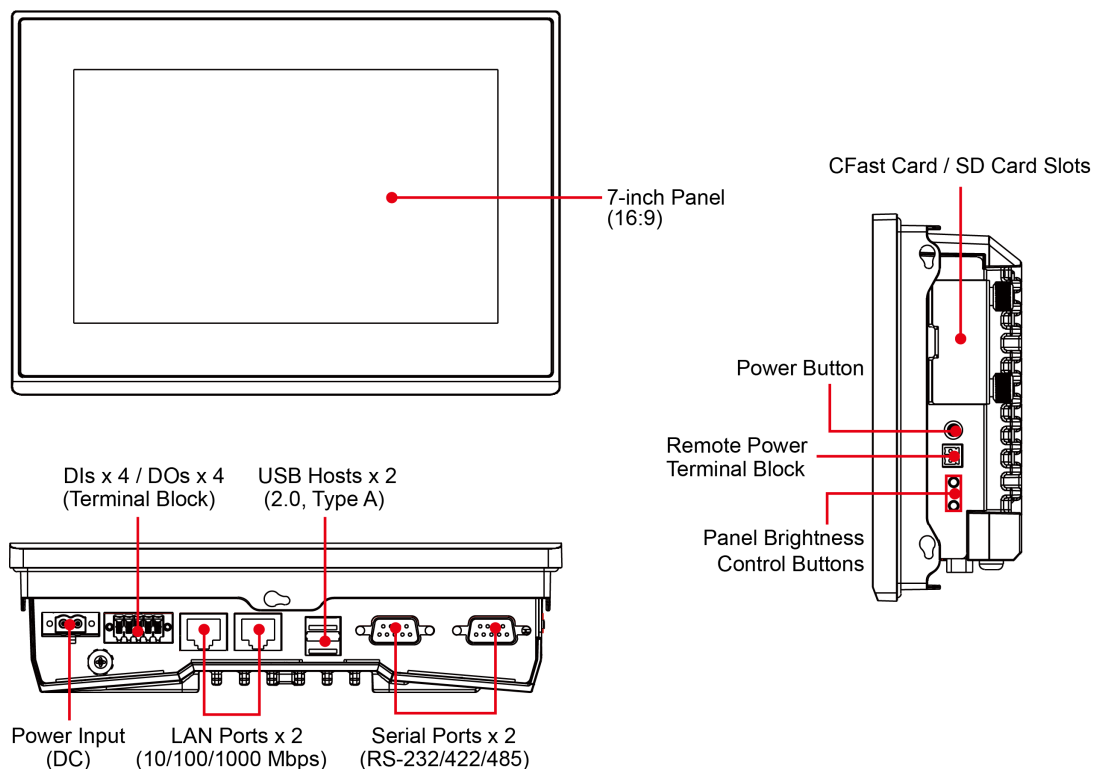
Introduction

The MPC-2070 7-inch panel computers with E3800 Series Intel® Atom™ processor deliver a reliable and durable platform of wide versatility for use in industrial environments. With two software selectable RS-232/422/485 serial ports and two Gigabit Ethernet ports, the MPC-2070 panel computers support a wide variety of serial interfaces as well as high-speed IT communications, all with native network redundancy.

The MPC-2070 Series panel computers are designed with a wide, -40 to 70°C temperature range, and come with a fanless, streamlined enclosure designed for highly efficient heat dissipation, making this one of the most reliable industrial platforms available for harsh, hot, outdoor environments like oil and gas fields, or drilling platforms. The MPC-2070 also features a 1000-nit LCD panel offering a sunlight-readable, projected-capacitive, glove-friendly, multi-touch screen, providing an excellent user experience for outdoor applications.

1. Certification is underway for DNV-GL, ATEX, and IECEx. Please check Moxa's website for the most up-to-date certification status.

Appearance



Specifications

Computer

| | |
|-----------------------------|---|
| CPU | Intel Atom® Processor E3826 (1M Cache, 1.46 GHz) |
| Graphics Controller | Intel® HD Graphics |
| System Memory Pre-installed | 4 GB DDR3L |
| System Memory Slot | SODIMM DDR3/DDR3L slot x 1 |
| Pre-installed OS | MPC-2070-E2-T/MPC-2070-E2-LB-T: OS is not pre-installed MPC-2070-E2-T-W7E/MPC-2070-E2-LB-T-W7E: OS is pre-installed |
| Supported OS | Windows 7 Pro for Embedded Systems Windows Embedded Standard 7 (WS7P) 64-bit Windows 10 Pro 64-bit Windows 10 Embedded IOT Ent 2016 LTSCB Entry 64-bit |
| Storage Slot | CFast slot x 1 SD slots x 1, SD 3.0 (SDHC/SDXC) socket |
| Storage Pre-installed | MPC-2070-E2-T-W7E/MPC-2070-E2-LB-T-W7E: 32 GB CFast card pre-installed |

Computer Interface

| | |
|----------------|--|
| Ethernet Ports | Auto-sensing 10/100/1000 Mbps ports (RJ45 connector) x 2 |
| Serial Ports | RS-232/422/485 ports x 2, software selectable (DB9 male) |
| USB 2.0 | USB 2.0 hosts x 2, type-A connectors |
| Digital Input | DIs x 4 |
| Digital Output | DOs x 4 |

LED Indicators

| | |
|--------|-------------------------------|
| System | Power x 1 |
| LAN | 2 per port (10/100/1000 Mbps) |

Display

| | |
|------------------------------|--|
| Active Display Area | 152.4 (H) x 91.44 (V) mm |
| Aspect Ratio | 16:9 |
| Contrast Ratio | 600:1 |
| Light Intensity (Brightness) | MPC-2070-E2-T Series: 1000 cd/m ² MPC-2070-E2-LB-T Series: 350 cd/m ² |
| Max. No. of Colors | 16.2M (8-bit/color) |
| Panel Size | 7-inch viewable image |
| Panel Type | TN |
| Pixel Pitch (RGB) | 0.1905 (H) x 0.1905 (V) mm |
| Pixels | 800 x 480 |
| Response Time | 5 ms (gray to gray) |
| Viewing Angles | 140°/120° |

Touch Function

| | |
|----------------------|-------------------------|
| Touch Type | Capacitive Touch (PCAP) |
| Touch Support Points | 4 points |
| Glove Support | Yes |

Serial Interface

| | |
|--------------|--|
| Baudrate | 50 bps to 115.2 kbps |
| Data Bits | 5, 6, 7, 8 |
| Flow Control | RTS/CTS, XON/XOFF, ADDC® (automatic data direction control) for RS-485, RTS Toggle (RS-232 only) |
| Parity | None, Even, Odd, Space, Mark |
| Stop Bits | 1, 1.5, 2 |

Serial Signals

| | |
|-----------|--|
| RS-232 | TxD, RxD, RTS, CTS, DTR, DSR, DCD, GND |
| RS-422 | Tx+, Tx-, Rx+, Rx-, GND |
| RS-485-2w | Data+, Data-, GND |
| RS-485-4w | Tx+, Tx-, Rx+, Rx-, GND |

Power Parameters

| | |
|-------------------|--------------|
| Input Voltage | 10 to 36 VDC |
| Power Consumption | 40 W (max.) |

Physical Characteristics

| | |
|------------|--|
| Housing | Metal |
| IP Rating | IP66, front IP20, rear |
| Dimensions | 200 x 140 x 45 mm (7.9 x 5.5 x 1.8 in) |
| Weight | 1,400 g (3.09 lb) |

Environmental Limits

| | |
|--|----------------------------|
| Operating Temperature | -40 to 70°C (-40 to 158°F) |
| Storage Temperature (package included) | -40 to 70°C (-40 to 158°F) |
| Ambient Relative Humidity | 5 to 95% (non-condensing) |

Standards and Certifications

| | |
|------------------------------|--|
| EMC | EN 55032/24 |
| EMI | CISPR 32, FCC Part 15B Class A |
| EMS | IEC 61000-4-2 ESD: Contact: 4 kV; Air: 8 kV IEC 61000-4-3 RS: 80 MHz to 1 GHz: 10 V/m IEC 61000-4-4 EFT: Power: 1 kV; Signal: 0.5 kV IEC 61000-4-5 Surge: Power: 2 kV; Signal: 1 kV IEC 61000-4-6 CS: 10 V IEC 61000-4-8 PFMF |
| Environmental Testing | IEC 60068-2-1, DNVGL-CG-0339 IEC 60068-2-2, DNVGL-CG-0339 IEC 60068-2-2, IEC 60945 IEC 60068-2-30, IEC 60945 |
| Hazardous Locations | ATEX, Class I Division 2, IECEx |
| Maritime | DNV-GL |
| Mechanical Protection Rating | IEC 60529, IP code |
| Safety | EN 60950-1, IEC 60950-1, UL 60950-1 |
| Shock | IEC 60068-2-27 |
| Vibration | IEC 60068-2-6, IEC 60068-2-6, IEC 60945, IEC 60068-2-64, DNVGL-CG-0339 |

Declaration

| | |
|---------------|-------------------|
| Green Product | RoHS, CRoHS, WEEE |
|---------------|-------------------|

Warranty

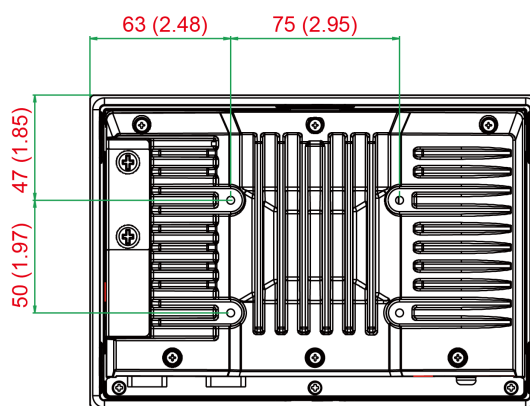
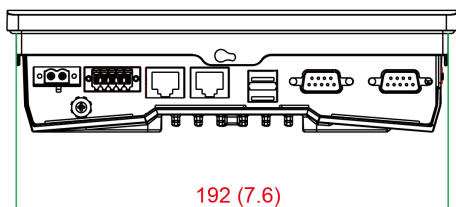
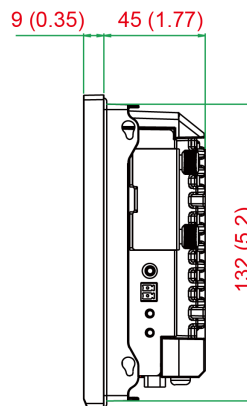
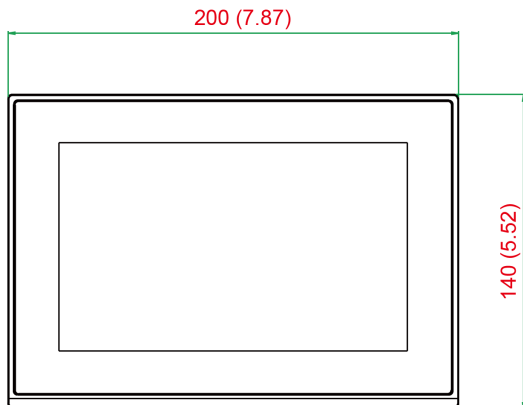
| | |
|-----------------|--|
| Warranty Period | LCD: 1 year System: 3 years |
| Details | See www.moxa.com/warranty |

Package Contents

| | |
|------------------|---|
| Device | 1 x MPC-2070 Series computer |
| Installation Kit | 6 x screw, for panel-mounting 1 x terminal block, 2-pin, for DC power input 1 x terminal block, 10-pin, for DIO 1 x terminal block, 2-pin, for remote power switch |
| Documentation | 1 x quick installation guide 1 x warranty card |

Dimensions

Unit: mm (inch)



Ordering Information

| Model Name | Panel | CPU | RAM | OS Preinstalled | Touchscreen | LAN | Serial | D/DO | Power Input | IP Rating | Operating Temp. |
|----------------------|-------------------------|----------------------|------|-----------------------|-------------|-----|--------|------|-------------|------------------------------|-----------------|
| MPC-2070-E2-T | 7" (16:9) 1,000 nits | Intel Atom® E3826 | 4 GB | - | Captive | 2 | 2 | 4/4 | 12/24 VDC | IP66 (front), IP20 (rear) | -40 to 70°C |
| MPC-2070-E2-T-W7E | 7" (16:9) 1,000 nits | Intel Atom® E3826 | 4 GB | W7E OS 32 GB CFAST | Captive | 2 | 2 | 4/4 | 12/24 VDC | IP66 (front), IP20 (rear) | -40 to 70°C |
| MPC-2070-E2-LB-T | 7" (16:9) 350 nits | Intel Atom® E3826 | 4 GB | - | Captive | 2 | 2 | 4/4 | 12/24 VDC | IP66 (front), IP20 (rear) | -40 to 70°C |
| MPC-2070-E2-LB-T-W7E | 7" (16:9) 350 nits | Intel Atom® E3826 | 4 GB | W7E OS 32 GB CFAST | Captive | 2 | 2 | 4/4 | 12/24 VDC | IP66 (front), IP20 (rear) | -40 to 70°C |

© Moxa Inc. All rights reserved. Updated Apr 15, 2019.

This document and any portion thereof may not be reproduced or used in any manner whatsoever without the express written permission of Moxa Inc. Product specifications subject to change without notice. Visit our website for the most up-to-date product information.