

EDS-508A Series

8-port managed Ethernet switches



Features and Benefits

- Turbo Ring and Turbo Chain (recovery time < 20 ms @ 250 switches), and STP/RSTP/MSTP for network redundancy
- TACACS+, SNMPv3, IEEE 802.1X, HTTPS, and SSH to enhance network security
- Easy network management by web browser, CLI, Telnet/serial console, Windows utility, and ABC-01
- Supports MXstudio for easy, visualized industrial network management

Certifications



Introduction

The EDS-508A standalone 8-port managed Ethernet switches, with their advanced Turbo Ring and Turbo Chain technologies (recovery time < 20 ms), RSTP/STP, and MSTP, increase the reliability and availability of your industrial Ethernet network. Models with a wide operating temperature range of -40 to 75°C are also available, and the switches support advanced management and security features, making the EDS-508A switches suitable for any harsh industrial environment.

Additional Features and Benefits

- Command line interface (CLI) for quickly configuring major managed functions
- DHCP Option 82 for IP address assignment with different policies
- Supports EtherNet/IP and Modbus TCP protocols for device management and monitoring
- Compatible with PROFINET protocol for transparent data transmission
- Automatic warning by exception through email and relay output
- IGMP snooping and GMRP for filtering multicast traffic
- Port-based VLAN, IEEE 802.1Q VLAN, and GVRP to ease network planning
- QoS (IEEE 802.1p/1Q and TOS/DiffServ) to increase determinism
- Port Trunking for optimum bandwidth utilization
- RMON for proactive and efficient network monitoring
- SNMPv1/v2c/v3 for different levels of network management
- Bandwidth management to prevent unpredictable network status
- Lock port function for blocking unauthorized access based on MAC address

Specifications

Input/Output Interface

Alarm Contact Channels	2, Relay output with current carrying capacity of 1 A @ 24 VDC
Digital Input Channels	2
Digital Inputs	+13 to +30 V for state 1 -30 to +3 V for state 0 Max. input current: 8 mA
Buttons	Reset button

Ethernet Interface

10/100BaseT(X) Ports (RJ45 connector)	EDS-508A Series: 8 EDS-508A-MM/SS Series: 6 All models support: Auto negotiation speed Full/Half duplex mode Auto MDI/MDI-X connection
100BaseFX Ports (multi-mode SC connector)	EDS-508A-MM-SC Series: 2

100BaseFX Ports (multi-mode ST connector)	EDS-508A-MM-ST Series: 2
100BaseFX Ports (single-mode SC connector)	EDS-508A-SS-SC Series: 2
100BaseFX Ports, Single-Mode SC Connector, 80 km	EDS-508A-SS-SC-80 Series: 2
Standards	<p>IEEE 802.3 for 10BaseT IEEE 802.3u for 100BaseT(X) and 100BaseFX IEEE 802.1X for authentication IEEE 802.1D-2004 for Spanning Tree Protocol IEEE 802.1w for Rapid Spanning Tree Protocol IEEE 802.1s for Multiple Spanning Tree Protocol IEEE 802.1Q for VLAN Tagging IEEE 802.1p for Class of Service IEEE 802.3x for flow control IEEE 802.3ad for Port Trunk with LACP</p>

Optical Fiber			100BaseFX			
			Multi-Mode		Single-Mode (40 km)	Single-Mode (80 km)
	Fiber Cable Type		OM1	50/125 μm	G.652	G.652
				800 MHz x km		
	Typical Distance		4 km	5 km	40 km	80 km
	Wave-length	Typical (nm)		1300	1310	1550
		TX Range (nm)		1260 to 1360	1280 to 1340	1530 to 1570
		RX Range (nm)		1100 to 1600	1100 to 1600	1100 to 1600
	Optical Power	TX Range (dBm)		-10 to -20	0 to -5	0 to -5
		RX Range (dBm)		-3 to -32	-3 to -34	-3 to -34
		Link Budget (dB)		12	29	29
		Dispersion Penalty (dB)		3	1	1
	<p>Note: When connecting a single-mode fiber transceiver, we recommend using an attenuator to prevent damage caused by excessive optical power. Note: Compute the “typical distance” of a specific fiber transceiver as follows: Link budget (dB) > dispersion penalty (dB) + total link loss (dB).</p>					

Ethernet Software Features	
Filter	802.1Q VLAN, Port-based VLAN, IGMP v1/v2, GVRP, GMRP
Industrial Protocols	EtherNet/IP, Modbus TCP
Management	IPv4/IPv6, SNMPv1/v2c/v3, LLDP, Port Mirror, Back Pressure Flow Control, BOOTP, DDM, DHCP Option 66/67/82, DHCP Server/Client, Fiber check, Flow control, RARP, RMON, SMTP, SNMP Inform, Syslog, Telnet, TFTP
MIB	MIB-II, Bridge MIB, Ethernet-like MIB, P-BRIDGE MIB, Q-BRIDGE MIB, RMON MIB Groups 1, 2, 3, 9, RSTP MIB
Redundancy Protocols	STP, MSTP, RSTP, LACP, Link Aggregation, Turbo Chain, Turbo Ring v1/v2
Security	HTTPS/SSL, TACACS+, Port Lock, RADIUS, SSH
Time Management	NTP Server/Client, SNTP, IEEE 1588v2 PTP (software-based)

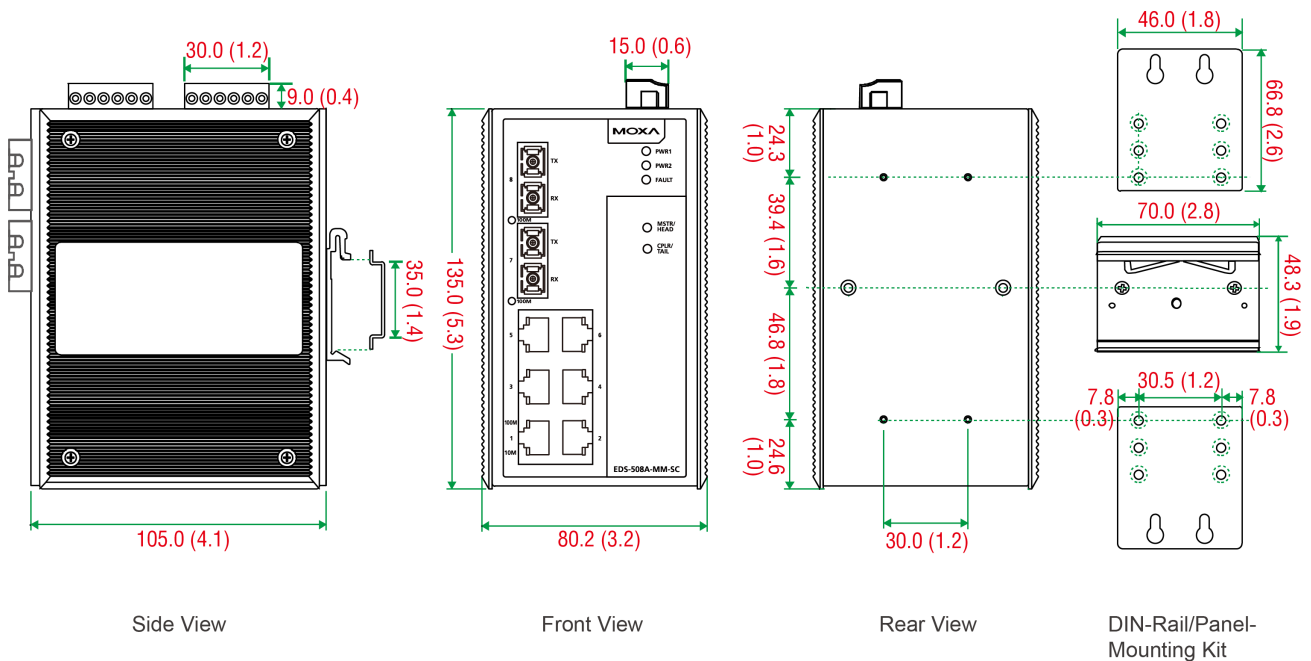
Switch Properties	
IGMP Groups	256
MAC Table Size	8 K

Max. No. of VLANs	64
Packet Buffer Size	1 Mbits
Priority Queues	4
VLAN ID Range	VID 1 to 4094
LED Interface	
LED Indicators	PWR1, PWR2, FAULT, 10/100M (TP port), 100M (fiber port), MSTR/HEAD, CPLR/TAIL
Serial Interface	
Console Port	RS-232 (TxD, RxD, GND), 8-pin RJ45 (115200, n, 8, 1)
DIP Switch Configuration	
Ethernet Interface	Turbo Ring, Master, Coupler, Reserve
Power Parameters	
Connection	2 removable 6-contact terminal block(s)
Input Voltage	12/24/48 VDC, Redundant dual inputs
Operating Voltage	9.6 to 60 VDC
Input Current	EDS-508A Series: 0.22 A @ 24 VDC EDS-508A-MM/SS Series: 0.30 A @ 24 VDC
Overload Current Protection	Supported
Reverse Polarity Protection	Supported
Physical Characteristics	
Housing	Metal
IP Rating	IP30
Dimensions	80.2 x 135 x 105 mm (3.16 x 5.31 x 4.13 in)
Weight	1040 g (2.3 lb)
Installation	DIN-rail mounting, Wall mounting (with optional kit)
Environmental Limits	
Operating Temperature	Standard Models: -10 to 60°C (14 to 140°F) Wide Temp. Models: -40 to 75°C (-40 to 167°F)
Storage Temperature (package included)	-40 to 85°C (-40 to 185°F)
Ambient Relative Humidity	5 to 95% (non-condensing)
Standards and Certifications	
Safety	EN 60950-1, UL 60950-1, CSA C22.2 No. 60950-1, UL 508
Hazardous Locations	ATEX, Class I Division 2
EMC	EN 55032/24
EMI	CISPR 32, FCC Part 15B Class A
EMS	IEC 61000-4-2 ESD: Contact: 6 kV; Air: 8 kV IEC 61000-4-3 RS: 80 MHz to 1 GHz: 20 V/m IEC 61000-4-4 EFT: Power: 2 kV; Signal: 1 kV IEC 61000-4-5 Surge: Power: 2 kV; Signal: 2 kV

	IEC 61000-4-6 CS: 10 V IEC 61000-4-8 PFMF
Shock	IEC 60068-2-27
Vibration	IEC 60068-2-6
Freefall	IEC 60068-2-31
MTBF	
Time	1,043,909 hrs
Standards	Telcordia (Bellcore), GB
Warranty	
Warranty Period	5 years
Details	See www.moxa.com/warranty
Package Contents	
Device	1 x EDS-508A Series switch
Cable	1 x DB9 female to RJ45 10-pin
Installation Kit	4 x cap, plastic, for RJ45 port 2 x cap, plastic, for SC fiber port (-SC models) 2 x cap, plastic, for ST fiber port (-ST models)
Documentation	1 x quick installation guide 1 x warranty card 1 x product certificates of quality inspection, Simplified Chinese 1 x product notice, Simplified Chinese

Dimensions

Unit: mm (inch)



Ordering Information

Model Name	10/100BaseT(X) Ports, RJ45 Connector	100BaseFX Ports Multi-Mode, SC Connector	100BaseFX Ports Multi-Mode, ST Connector	100BaseFX Ports Single-Mode, SC Connector	100BaseFX Ports Single-Mode, SC Connector, 80 km	Operating Temp.
EDS-508A	8	–	–	–	–	0 to 60°C
EDS-508A-T	8	–	–	–	–	-40 to 75°C
EDS-508A-MM-SC	6	2	–	–	–	0 to 60°C
EDS-508A-MM-SC-T	6	2	–	–	–	-40 to 75°C
EDS-508A-MM-ST	6	–	2	–	–	0 to 60°C
EDS-508A-MM-ST-T	6	–	2	–	–	-40 to 75°C
EDS-508A-SS-SC	6	–	–	2	–	0 to 60°C
EDS-508A-SS-SC-T	6	–	–	2	–	-40 to 75°C
EDS-508A-SS-SC-80	6	–	–	–	2	0 to 60°C
EDS-508A-SS-SC-80-T	6	–	–	–	2	-40 to 75°C

Accessories (sold separately)

Software

MXview	Industrial network management software designed for converged automation networks
--------	---

Storage Kits

ABC-01	Configuration backup and restoration tool for managed Ethernet switches and AWK Series wireless APs/bridges/clients, 0 to 60°C operating temperature
--------	--

Power Supplies

DR-120-24	120W/2.5A DIN-rail 24 VDC power supply with universal 88 to 132 VAC or 176 to 264 VAC input by switch, or 248 to 370 VDC input, -10 to 60°C operating temperature
DR-4524	45W/2A DIN-rail 24 VDC power supply with universal 85 to 264 VAC or 120 to 370 VDC input, -10 to 50°C operating temperature
DR-75-24	75W/3.2A DIN-rail 24 VDC power supply with universal 85 to 264 VAC or 120 to 370 VDC input, -10 to 60°C operating temperature
MDR-40-24	DIN-rail 24 VDC power supply with 40W/1.7A, 85 to 264 VAC, or 120 to 370 VDC input, -20 to 70°C operating temperature
MDR-60-24	DIN-rail 24 VDC power supply with 60W/2.5A, 85 to 264 VAC, or 120 to 370 VDC input, -20 to 70°C operating temperature

Wall-Mounting Kits

WK-46	Wall-mounting kit, 2 plates, 8 screws, 46.5 x 66.8 x 1 mm
-------	---

Rack-Mounting Kits

RK-4U	19-inch rack-mounting kit
-------	---------------------------

© Moxa Inc. All rights reserved. Updated Jun 05, 2019.

This document and any portion thereof may not be reproduced or used in any manner whatsoever without the express written permission of Moxa Inc. Product specifications subject to change without notice. Visit our website for the most up-to-date product information.