

UPort™ 200/400 Series Quick Installation Guide

Edition 4.0, November 2016

Technical Support Contact Information **www.moxa.com/support**

Moxa Americas:

Toll-free: 1-888-669-2872

Tel: 1-714-528-6777

Fax: 1-714-528-6778

Moxa China (Shanghai office):

Toll-free: 800-820-5036

Tel: +86-21-5258-9955

Fax: +86-21-5258-5505

Moxa Europe:

Tel: +49-89-3 70 03 99-0

Fax: +49-89-3 70 03 99-99

Moxa Asia-Pacific:

Tel: +886-2-8919-1230

Fax: +886-2-8919-1231

Moxa India:

Tel: +91-80-4172-9088

Fax: +91-80-4132-1045



© 2016 Moxa Inc. All rights reserved.

P/N: 1802002001013



Overview

The UPort™ 200/400 series industrial-grade USB 2.0 hubs expand 1 USB port to 4 or 7 ports. The hubs are designed to provide true USB 2.0 Hi-Speed 480 Mbps data transmission through each port, even for heavy-load applications. As USB-IF certified products, the UPort™ 200/400 series have passed high speed compliance testing and are eligible to bear the USB logo. In addition to providing ESD level 4 protection from static damage, the UPort™ 200/400 series offers a power jack and terminal block dual power input solution for industrial environments.

The following models comprise the UPort™ 400 series:

- UPort™ 404: 4-port industrial grade USB hub, adaptor included.
- UPort™ 407: 7-port industrial grade USB hub, adaptor included.
- UPort™ 404-T: 4-port industrial grade USB hub, wide temperature.
- UPort™ 407-T: 7-port industrial grade USB hub, wide temperature.

The following models comprise the UPort™ 200 series:

- UPort™ 204: 4-port entry level USB hub, adaptor included.
- UPort™ 207: 7-port entry level USB hub, adaptor included.

Features

- Hi-Speed USB 2.0 for up to 480 Mbps USB transmission
- USB-IF certification
- 15KV ESD Level 4 protection for all USB ports
- Comprehensive diagnostic LEDs

UPort™ 400 series features:

- Dual power input supply (power jack and terminal block)
- Rugged metal housing
- DIN-Rail and wall mountable
- Bus power or external power options (UPort™ 404)

UPort™ 200 series features:

- External power input supply (power jack)
- Rugged housing
- Wall mountable
- Bus power or external power options (UPort™ 204)

Ordering Information

Package Checklist

The UPort™ 200/400 series package should contain the following items. If any of these items is missing or damaged, please contact Moxa for replacement.

- 1 UPort 200 or 400 USB hub
- USB Cable: CBL-USBA/B-100
- 100 to 240 VAC power adapter suitable for your region (excluding T models)
- Wall-mounting kit: WK-35-02 (for UPort 400 models only)
- Quick installation guide (printed)
- Warranty card

Optional Accessories (can be purchased separately)

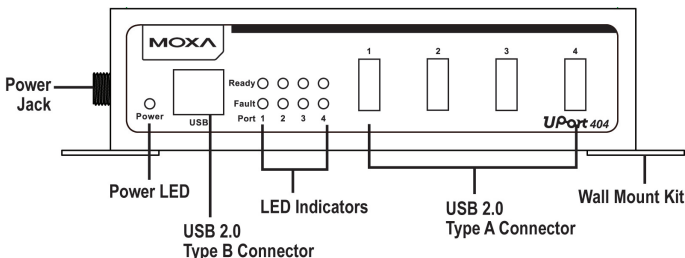
For the UPort 400 Series:

- DK-UP1200: Flat DIN-rail mount with WK-35-02 (2 wall-mounting plates) and DK35A (2 DIN-rail plates with 4 screws)
- DK-25-01: Edge DIN-rail mount (25 x 48.3 mm DIN-rail kit with 2 screws)

Hardware Introduction

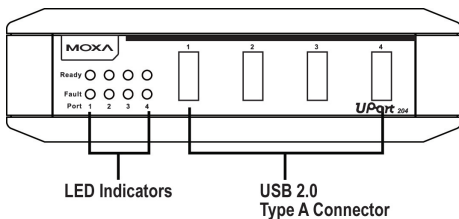
An example of the UPort™ 404 front panel:

Front View

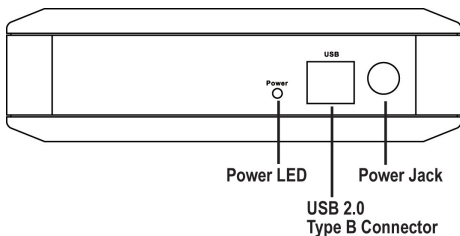


An example of the UPort™ 204 front/back panel:

Front View



Back View



LED Indicators

The LED indicators on the panel are used to display status as follows:

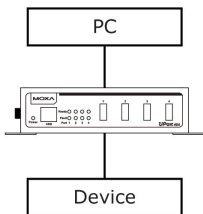
Type	Color	Meaning
Ready	Green	Steady on: Power is on and UPort™ is functioning normally
	Off	1. No device connected 2. Device cannot be detected
Fault	Red	Steady on: Device over current is detected
Power	Yellow	Bus power
	Green	External power

Power Input Supply

The following table shows power input supply.

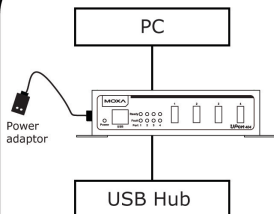
	UPort™ 404	UPort™ 407	UPort™ 204	UPort™ 207
Bus Power	✓	–	✓	–
Self-Power	✓	✓	✓	✓

Scenario 1



Note:
When only connecting devices to the UPort™ 204/404, you can use bus power connection.

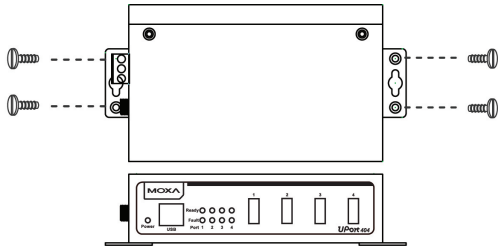
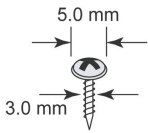
Scenario 2



Note:
When connecting the UPort™ 204/404 to a USB hub, we recommend using an external power connection.

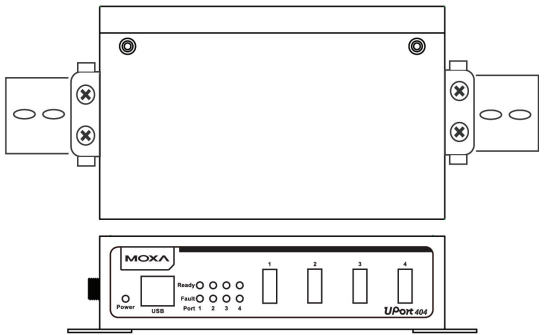
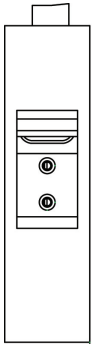
Wall Mounting

The UPort™ 400 series comes with two metal attachment plates to allow installation on a wall. First, attach the brackets to the back of the UPort™ 400 with screws. Next, mount the unit to a wall with screws. Screws should be less than 5.0 mm in head diameter, and less than 3.0 mm in shaft diameter



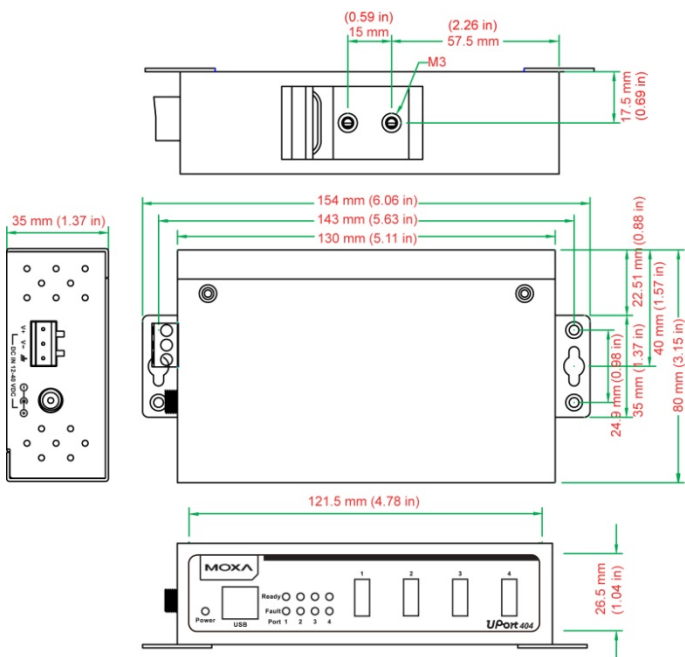
DIN-Rail Mounting

The UPort™ 400 series comes with DIN-Rail kit to allow installation on a DIN-Rail. DIN-Rail attachments can be purchased separately to attach the product to a DIN-Rail. The DIN-Rail attachments should be oriented with the metal springs on top.

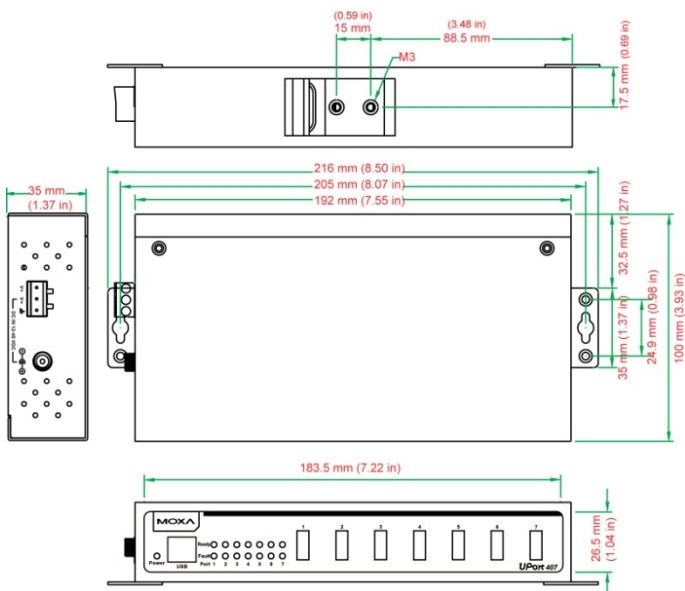


Dimensions

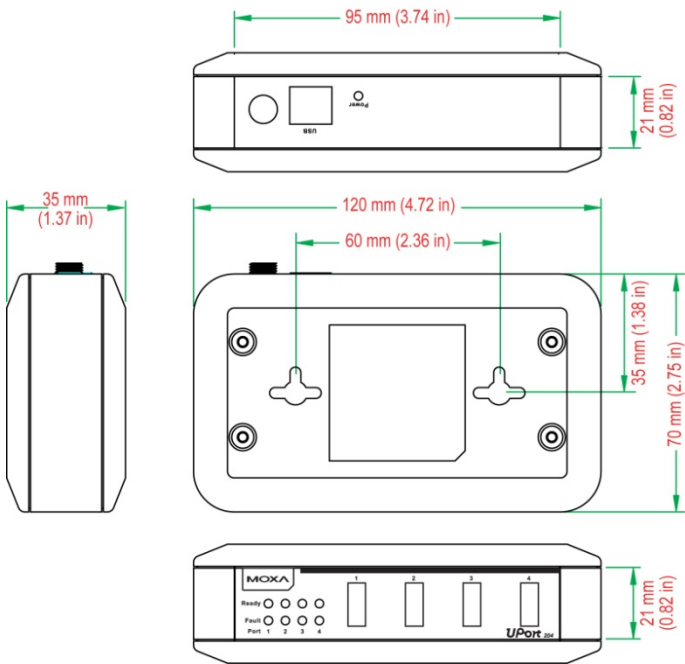
UPort™ 404



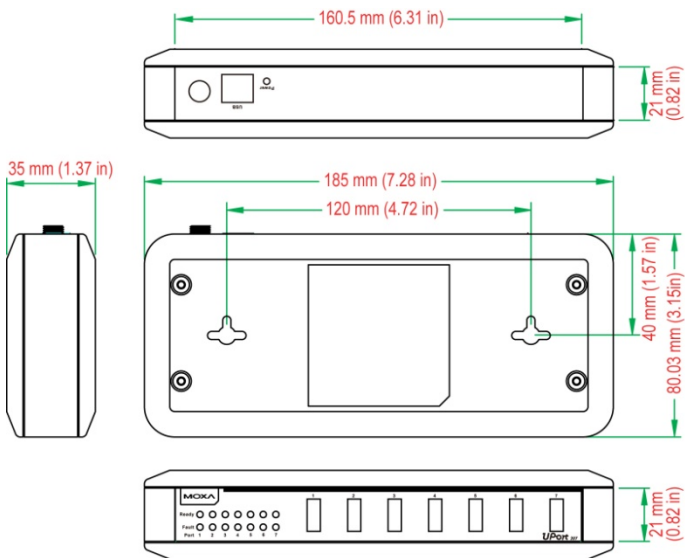
UPort™ 407



UPort™ 204



UPort™ 207



Specifications

USB Interface

Compliance: USB 1.1/2.0 compliant

Upstream: 1 USB port, Type B connector

Downstream:

UPort™ 204/404: 4 USB ports, Type A connectors

UPort™ 207/407: 7 USB ports, Type A connectors

Speed: 480 Mbps (Hi-Speed USB) and 12 Mbps (Full-Speed USB)

Physical Characteristics

Housing:

UPort™ 200 series: Polycarbonate (PC)

UPort™ 400 series: Aluminum

Dimensions:

UPort™ 404/404-T: 80 x 35 x 130 mm (3.15 x 1.38 x 5.12 in)

UPort™ 407/407-T: 100 x 35 x 192 mm (3.94 x 1.38 x 7.55 in)

UPort™ 204: 70 x 35 x 120 mm (2.76 x 1.38 x 4.72 in)

UPort™ 207: 80 x 35 x 185 mm (3.15 x 1.38 x 7.28 in)

Environmental Limits

Operating Temperature:

Standard Models: 0 to 60°C (32 to 140°F)

Wide Temp. Models: -40 to 85°C (-40 to 185°F)

Operating Humidity: 5 to 95% RH

(For use in Pollution Degree 2 environments)

Storage Temperature:

Standard Models: -20 to 75°C (-4 to 167°F)

Wide Temp. Models: -40 to 85°C (-40 to 185°F)

Power Requirements

Input Voltage: 12 to 40 VDC (external power)

Power Consumption:

UPort™ 404:

1300 mA @ 12 VDC, 690 mA @ 24 VDC, 470 mA @ 36 VDC

UPort™ 407:

2300 mA @ 12 VDC, 1130 mA @ 24 VDC, 790 mA @ 36 VDC

UPort™ 204:

1210 mA @ 12 VDC, 610 mA @ 24 VDC, 430 mA @ 36 VDC

UPort™ 207:

2170 mA @ 12 VDC, 1070 mA @ 24 VDC, 730 mA @ 36 VDC

Regulatory Approvals:

EN61000-3-2, EN61000-3-3, EN61000-4-2, EN61000-4-3,

EN61000-4-4, EN61000-4-5, EN61000-4-6, EN61000-4-8,

EN61000-4-11, EN61000-6-2, EN61000-6-4, FCC Part 15 Class A,

UL508*, LVD

*Maximum Surrounding Air Temperature: 60°C

Warranty

Warranty Period: 5 years

Details: See www.moxa.com/warranty

Compliance Notice



CE Warning

This is a Class A product. In a domestic environment, this product may cause radio interference in which case the user may be required to take appropriate measures.

Federal Communications Commission Statement

FCC - This device complies with part 15 of the FCC Rules. Operation is subject to the following two conditions: (1) This device may not cause harmful interference, and (2) this device must accept any interference received, including interference that may cause undesired operation.



FCC Warning

This equipment has been tested and found to comply with the limits for a Class A digital device, pursuant to part 15 of the FCC Rules. These limits are designed to provide reasonable protection against harmful interference when the equipment is operated in a commercial environment. This equipment generates, uses, and can radiate radio frequency energy and, if not installed and used in accordance with the instruction manual, may cause harmful interference to radio communications. Operation of this equipment in a residential area is likely to cause harmful interference in which case the user will be required to correct the interference at his own expense.