

AWK-4131A Series

Outdoor industrial IEEE 802.11a/b/g/n wireless AP/bridge/client



Features and Benefits

- 2x2 MIMO 802.11a/b/g/n AP/bridge/client
- Millisecond-level Client-based Turbo Roaming¹
- Easy setup and deployment with AeroMag
- Wireless redundancy with AeroLink Protection
- Rugged industrial design with integrated antenna and power isolation
- IP68-rated weatherproof housing designed for outdoor applications and -40 to 75°C operating temperature range
- Avoid wireless congestion with 5 GHz DFS channel support

Certifications



Introduction

The AWK-4131A IP68 outdoor industrial AP/bridge/client meets the growing need for faster data transmission speeds by supporting 802.11n technology and allowing 2X2 MIMO communication with a net data rate of up to 300 Mbps. The AWK-4131A is compliant with industrial standards and approvals covering operating temperature, power input voltage, surge, ESD, and vibration. The two redundant DC power inputs increase the reliability of the power supply, and the AWK-4131A can be powered via PoE to make deployment easier. The AWK-4131A can operate on either the 2.4 GHz or 5 GHz bands and is backwards-compatible with existing 802.11a/b/g deployments to future-proof your investments in wireless networks.

Advanced 802.11n Industrial Wireless Solution

- 802.11a/b/g/n compliant AP/bridge/client for flexible deployment
- Software optimized for long-distance wireless communication with up to 1 km line of sight and external high-gain antenna (available only on 5 GHz)
- Supports 60 clients connected concurrently
- DFS channel support allows a wider range of 5 GHz channel selection to avoid interference from existing wireless infrastructure

Advanced Wireless Technology for Mission-Critical Applications

- Seamless roaming with client-based Turbo Roaming¹ for < 150 ms roaming recovery time between APs (Client mode)
- AeroMag support for error-free setup of your industrial applications' basic WLAN settings
- Supports AeroLink Protection for creating a redundant wireless link (< 300 ms recovery time) between APs and their clients

Industrial Ruggedness

- Integrated antenna and power isolation designed to provide 500 V insulation protection against external electrical interference
- IP68-rated metal casing for complete ingress protection for any outdoor weather
- -40 to 75°C wide operating temperature models available for smooth wireless communication in harsh environments

Specifications

WLAN Interface

WLAN Standards	802.11a/b/g/n 802.11i Wireless Security
Modulation Type	DSSS MIMO-OFDM OFDM
Frequency Band for US (20 MHz operating channels)	2.412 to 2.462 GHz (11 channels)

1. The Turbo Roaming recovery time indicated herein is an average of test results documented, in optimized conditions, across APs configured with interference-free 20-MHz RF channels, WPA2-PSK security, and default Turbo Roaming parameters. The clients are configured with 3-channel roaming at 100 Kbps traffic load. Other conditions may also impact roaming performance. For more information about Turbo Roaming parameter settings, refer to the product manual.

	5.180 to 5.240 GHz (4 channels) 5.260 to 5.320 GHz (4 channels) ² 5.500 to 5.700 GHz (11 channels) ² 5.745 to 5.825 GHz (5 channels)																								
Frequency Band for EU (20 MHz operating channels)	2.412 to 2.472 GHz (13 channels) 5.180 to 5.240 GHz (4 channels) 5.260 to 5.320 GHz (4 channels) ² 5.500 to 5.700 GHz (11 channels) ²																								
Frequency Band for JP (20 MHz operating channels)	2.412 to 2.484 GHz (14 channels) 5.180 to 5.240 GHz (4 channels) 5.260 to 5.240 GHz (4 channels) ² 5.500 to 5.700 GHz (11 channels) ²																								
Wireless Security	WEP encryption (64-bit and 128-bit) WPA/WPA2-Enterprise (IEEE 802.1X/RADIUS, TKIP, AES) WPA/WPA2-Personal																								
Transmission Rate	802.11b: 1 to 11 Mbps 802.11a/g: 6 to 54 Mbps 802.11n: 6.5 to 300 Mbps																								
Transmitter Power for 802.11a	23±1.5 dBm @ 6 to 24 Mbps 21±1.5 dBm @ 36 Mbps 20±1.5 dBm @ 48 Mbps 18±1.5 dBm @ 54 Mbps																								
Transmitter Power for 802.11b	26±1.5 dBm @ 1 Mbps 26±1.5 dBm @ 2 Mbps 26±1.5 dBm @ 5.5 Mbps 25±1.5 dBm @ 11 Mbps																								
Transmitter Power for 802.11g	23±1.5 dBm @ 6 to 24 Mbps 21±1.5 dBm @ 36 Mbps 19±1.5 dBm @ 48 Mbps 18±1.5 dBm @ 54 Mbps																								
Transmitter Power for 802.11n (2.4 GHz)	23±1.5 dBm @ MCS0/8 20 MHz 18±1.5 dBm @ MCS7/15 20 MHz 23±1.5 dBm @ MCS0/8 40 MHz 17±1.5 dBm @ MCS7/15 40 MHz																								
Transmitter Power for 802.11n (5 GHz)	23±1.5 dBm @ MCS0/8 20 MHz 18±1.5 dBm @ MCS7/15 20 MHz 23±1.5 dBm @ MCS0/8 40 MHz 17±1.5 dBm @ MCS7/15 40 MHz																								
Transmitter Power	<table border="1"> <thead> <tr> <th></th> <th>US</th> <th>EU</th> <th>JP</th> </tr> </thead> <tbody> <tr> <td>2.4 GHz</td> <td>26 dBm</td> <td>18 dBm</td> <td>18 dBm</td> </tr> <tr> <td>5 GHz (UNII-1)</td> <td>23 dBm</td> <td>21 dBm</td> <td>21 dBm</td> </tr> <tr> <td>5 GHz (UNII-2)</td> <td>23 dBm</td> <td>21 dBm</td> <td>21 dBm</td> </tr> <tr> <td>5 GHz (UNII-2e)</td> <td>23 dBm</td> <td>23 dBm</td> <td>23 dBm</td> </tr> <tr> <td>5 GHz (UNII-3)</td> <td>23 dBm</td> <td>–</td> <td>–</td> </tr> </tbody> </table> <p>Note: Based on regional regulations, the maximum transmission power allowed on the UNII bands is restricted in the firmware, as indicated above.</p>		US	EU	JP	2.4 GHz	26 dBm	18 dBm	18 dBm	5 GHz (UNII-1)	23 dBm	21 dBm	21 dBm	5 GHz (UNII-2)	23 dBm	21 dBm	21 dBm	5 GHz (UNII-2e)	23 dBm	23 dBm	23 dBm	5 GHz (UNII-3)	23 dBm	–	–
	US	EU	JP																						
2.4 GHz	26 dBm	18 dBm	18 dBm																						
5 GHz (UNII-1)	23 dBm	21 dBm	21 dBm																						
5 GHz (UNII-2)	23 dBm	21 dBm	21 dBm																						
5 GHz (UNII-2e)	23 dBm	23 dBm	23 dBm																						
5 GHz (UNII-3)	23 dBm	–	–																						
Receiver Sensitivity for 802.11a	-90 dBm @ 6 Mbps -88 dBm @ 9 Mbps -88 dBm @ 12 Mbps -85 dBm @ 18 Mbps -81 dBm @ 24 Mbps																								

2. DFS (Dynamic Frequency Selection) channel support: In AP mode, when a radar signal is detected, the device will automatically switch to another channel. However, according to regulations, after switching channels, a 60-second availability check period is required before starting the service.

	-78 dBm @ 36 Mbps -74 dBm @ 48 Mbps -72 dBm @ 54 Mbps
Receiver Sensitivity for 802.11b	-93 dBm @ 1 Mbps -93 dBm @ 2 Mbps -93 dBm @ 5.5 Mbps -88 dBm @ 11 Mbps
Receiver Sensitivity for 802.11g	-88 dBm @ 6 Mbps -86 dBm @ 9 Mbps -85 dBm @ 12 Mbps -85 dBm @ 18 Mbps -85 dBm @ 24 Mbps -82 dBm @ 36 Mbps -78 dBm @ 48 Mbps -74 dBm @ 54 Mbps
Receiver Sensitivity for 802.11n (2.4 GHz)	-70 dBm @ MCS7 20 MHz -69 dBm @ MCS15 20 MHz -67 dBm @ MCS7 40 MHz -67 dBm @ MCS15 40 MHz
Receiver Sensitivity for 802.11n (5 GHz)	-69 dBm @ MCS7 20 MHz -71 dBm @ MCS15 20 MHz -63 dBm @ MCS7 40 MHz -68 dBm @ MCS15 40 MHz
WLAN Operation Mode	Access point, Client, Client-Router, Master, Slave, Sniffer
Antenna	External, 3/6 dBi, Omni-directional
WLAN Antenna Connector	2 N-type female
Ethernet Interface	
PoE Ports (10/100/1000BaseT(X), RJ45 connector)	1
Standards	IEEE 802.1D-2004 for Spanning Tree Protocol IEEE 802.1Q for VLAN Tagging IEEE 802.1w for Rapid Spanning Tree Protocol IEEE 802.3 for 10BaseT IEEE 802.3ab for 1000BaseT(X) IEEE 802.3af for PoE IEEE 802.3u for 100BaseT(X)
Connections	PoE
Ethernet Software Features	
Management	DHCP Server/Client, DNS, HTTP, IPv4, LLDP, Proxy ARP, SMTP, SNMPv1/v2c/v3, Syslog, TCP/IP, Telnet, UDP, Wireless Search Utility, VLAN, MXview, MXconfig
Redundancy Protocols	RSTP, STP
Security	HTTPS/SSL, RADIUS, SSH
Time Management	SNTP Client
Unicast Routing	Static Route
Firewall	
Filter	ICMP, MAC address, IP protocol, Port-based
Serial Interface	
Console Port	RS-232, 8-pin RJ45

LED Interface	
LED Indicators	PWR, FAULT, STATE, WLAN, LAN
Input/Output Interface	
Alarm Contact Channels	Relay output with current carrying capacity of 1 A @ 24 VDC
Buttons	Reset button
Digital Inputs	+13 to +30 V for state 1 +3 to -30 V for state 0 Max. input current: 8 mA
Physical Characteristics	
Housing	Metal
IP Rating	IP68
Dimensions	224 x 147.7 x 66.5 mm (8.82 x 5.82 x 2.62 in)
Weight	1,400 g (3.09 lb)
Installation	Wall mounting (standard), DIN-rail mounting (optional), Pole mounting (optional)
Power Parameters	
Input Current	0.64 A @ 12 VDC, 0.16 A @ 48 VDC
Input Voltage	12 to 48 VDC, Redundant dual inputs, 48 VDC Power-over-Ethernet
Power Connector	M12 A-coded 5-pin male connector
Power Consumption	7.68 W (max.)
Reverse Polarity Protection	Supported
Environmental Limits	
Operating Temperature	-40 to 75°C (-40 to 167°F)
Storage Temperature (package included)	-40 to 85°C (-40 to 185°F)
Ambient Relative Humidity	5 to 95% (non-condensing)
Standards and Certifications	
EMC	EN 61000-6-2/-6-4
EMI	CISPR 32, FCC Part 15B Class B
EMS	IEC 61000-4-2 ESD: Contact: 8 kV; Air: 15 kV IEC 61000-4-3 RS: 80 MHz to 1 GHz: 10 V/m IEC 61000-4-4 EFT: Power: 2 kV; Signal: 1 kV IEC 61000-4-5 Surge: Power: 2 kV; Signal: 2 kV IEC 61000-4-6 CS: 10 V IEC 61000-4-8 PFMF
Radio	ANATEL, EN 300 328, EN 301 489-1/17, EN 301 893, FCC ID SLE-WAPN008, MIC, NCC, RCM, SRRC, WPC, KC
Safety	EN 60950-1, UL 60950-1
Vibration	IEC 60068-2-6
MTBF	
Time	440,764 hrs
Standards	Telcordia SR332

Warranty

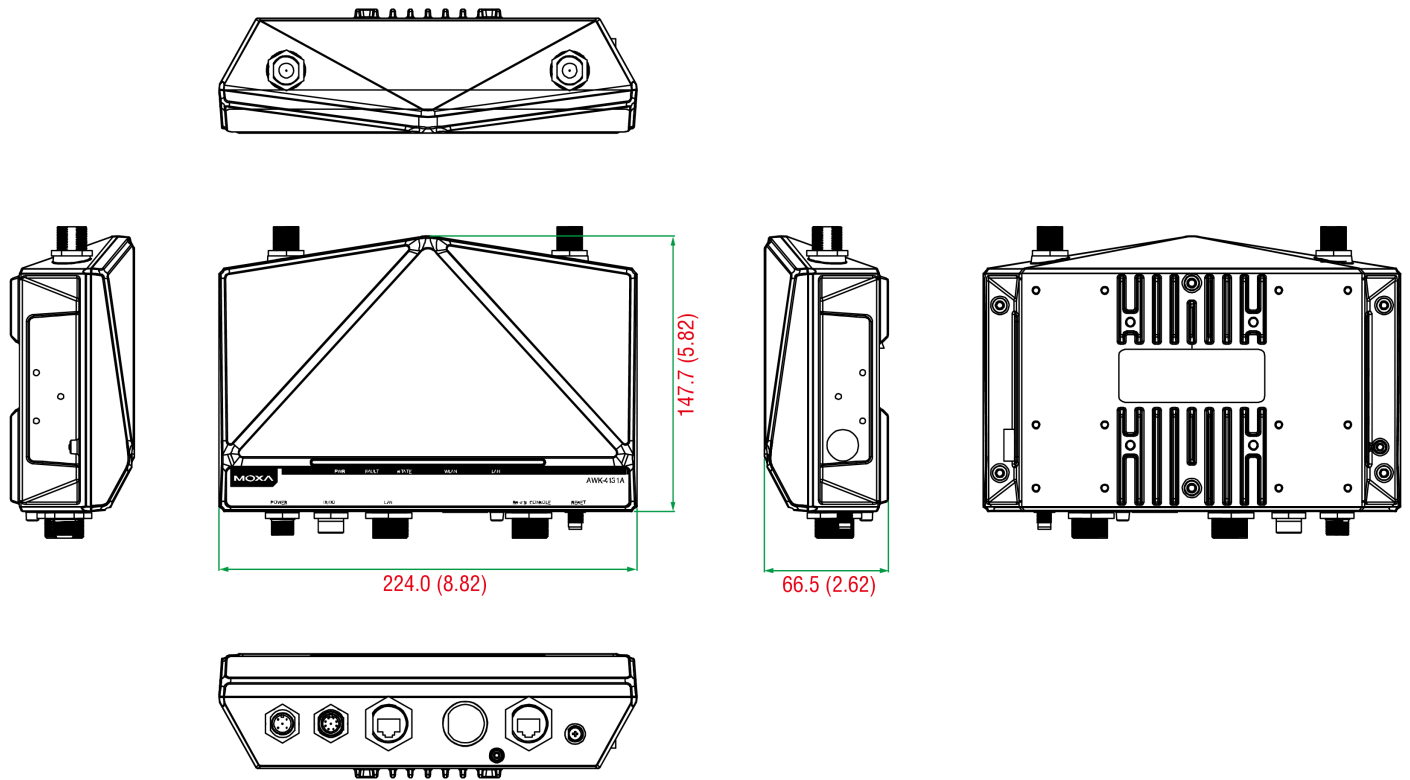
Warranty Period	5 years
Details	See www.moxa.com/warranty

Package Contents

Device	1 x AWK-4131A Series wireless AP/bridge/client
Installation Kit	1 x cap, female, metal, for M12 port 1 x cap, metal, for RJ45 port 1 x field-installable power plug 1 x field-installable RJ45 plug 1 x stick, transparent plastic, for field-installable plug 2 x wall-mounting kit
Antenna	2 x 2.4/5 GHz antenna
Documentation	1 x quick installation guide 1 x warranty card

Dimensions

Unit: mm (inch)



Side View

Front, Top, and Rear Views

Side View

Bottom View

Ordering Information

Model Name	Band	Standards	Operating Temp.
AWK-4131A-EU-T	EU	802.11a/b/g/n	-40 to 75°C
AWK-4131A-JP-T	JP	802.11a/b/g/n	-40 to 75°C
AWK-4131A-US-T	US	802.11a/b/g/n	-40 to 75°C

Accessories (sold separately)

Antennas

ANT-WDB-ANF-0407	2.4/5 GHz, omni-directional antenna, 4/7 dBi, N-type (male)
ANT-WDB-ANF-0609	2.4/5 GHz, omni-directional antenna, 6/9 dBi, N-type (female)
ANT-WDB-ANM-0306	2.4/5 GHz, omni-directional antenna, 3/6 dBi, N-type (male)
ANT-WDB-ANM-0407	Dual-band omni-directional antennas, 4 dBi at 2.4 GHz or 7 dBi at 5 GHz
ANT-WDB-ANM-0502	2.4/5 GHz, omni-directional antenna, 5/2 dBi, N-type (male)
ANT-WDB-ANM-0609	2.4/5 GHz, omni-directional antenna, 6/9 dBi, N-type (male)
ANT-WDB-ARM-02	2.4/5 GHz, omni-directional rubber duck antenna, 2 dBi, RP-SMA (male)
ANT-WDB-ARM-0202	2.4/5 GHz, panel antenna, 1.8/1.8 dBi, RP-SMA (male)
ANT-WDB-PNF-1518	2.4/5 GHz, panel antenna, 15/18 dBi, N-type (female)
MAT-WDB-CA-RM-2-0205	2.4/5 GHz, ceiling antenna, 2/5 dBi, MIMO 2x2, RP-SMA-type (male)
MAT-WDB-DA-RM-2-0203-1m	2.4/5 GHz, desktop antenna, 2/3 dBi, MIMO 2x2, RP-SMA-type (male), 1 m cable
MAT-WDB-PA-NF-2-0708	2.4/5 GHz, panel antenna, 7/8 dBi, MIMO 2x2, N-type (female)
ANT-WSB5-ANF-12	5 GHz, omni-directional antenna, 12 dBi, N-type (female)
ANT-WSB5-PNF-18	5 GHz, directional panel antenna, 18 dBi, N-type (female)
ANT-WSB-ANF-09	2.4 GHz, omni-directional antenna, 9 dBi, N-type (female)
ANT-WSB-PNF-12	2.4 GHz, directional panel antenna, 12dBi, N-type (female)
ANT-WSB-PNF-18	2.4 GHz, directional panel antenna, 18 dBi, N-type (female)
ANT-WSB-AHRM-05-1.5m	2.4 GHz, omni-directional/dipole antenna, 5 dBi, RP-SMA (male), 1.5 m cable

Wireless Adaptors

A-ADP-RJ458P-DB9F-ABC01	DB9 female to RJ45 connector for the ABC-01
-------------------------	---

Wireless Connector Cap

A-CAP-N-M	Metal cap to cover N-type connector
A-CAP-WPRJ45-MC	Metal cap with chain for RJ45 connector

Wireless Antenna Cable

A-CRF-NMNM-LL4-300	N-type (male) to N-type (male), LMR-400 Lite cable, 3 m
A-CRF-NMNM-LL4-600	N-type (male) to N-type (male), LMR-400 Lite cable, 6 m
A-CRF-NMNM-LL4-900	N-type (male) to N-type (male), LMR-400 Lite cable, 9 m

Wireless AP Connector Cable

A-PLG-WPRJ	Field-installation RJ-type plug
------------	---------------------------------

Surge Arrestor

A-SA-NFNF-01	Surge arrester, N-type (female) to N-type (female)
A-SA-NMNF-01	Surge arrester, N-type (female) to N-type (male)

Wireless Terminating Resistor

A-TRM-50-NM	Terminating Resistor, 50 ohm, RP-SMA Male
-------------	---

Wireless Antenna Cable

CRF-N0429N-3M	N-type (male) to N-type (male), CFD400 cable, 3 m
---------------	---

Wireless AP Connector Cable

M12A-8PFF-IP68	Field-installation A-coded M12 screw-in 8-pin connector, female connector female PIN
----------------	--

M12A-8PMM-IP68	Field-installation A-coded screw-in Gigabit Ethernet connector, 8-pin male M12 connector, IP68-rated
----------------	--

Wireless AP Mounting Kit

PK-DC2DOF	Pole Mounting Kit
-----------	-------------------

Wall-Mounting Kits

WK-51-01	Wall-mounting kit, 2 plates, 6 screws, 51.6 x 67 x 2 mm
----------	---

Wireless AP Mounting Kit

WK-55	Wall Mounting Kit, 55mm High
-------	------------------------------

© Moxa Inc. All rights reserved. Updated May 09, 2019.

This document and any portion thereof may not be reproduced or used in any manner whatsoever without the express written permission of Moxa Inc. Product specifications subject to change without notice. Visit our website for the most up-to-date product information.