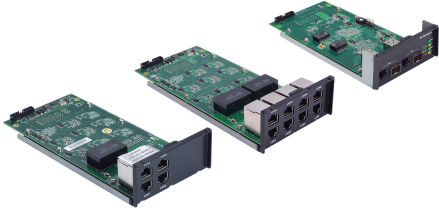


DA-720-Ethernet Series Expansion Modules

Expansion modules with PRP/HSR ports and Giga LAN



Features and Benefits

- PRP/HSR module
- 4-port Gigabit LAN module
- 8-port Giga LAN module

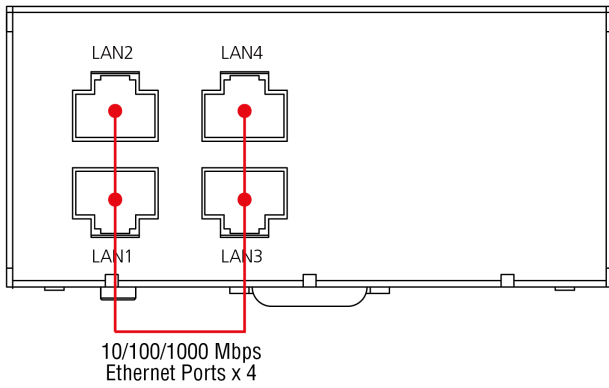
Introduction

DA-720-Ethernet peripheral expansion modules include a 4-port Giga LAN module, an 8-port Giga LAN module, and a PRP/HSR module for setting up industrial communication applications with Ethernet-based devices. All modules are designed to offer the greatest flexibility for setting up applications and performing industrial tasks.

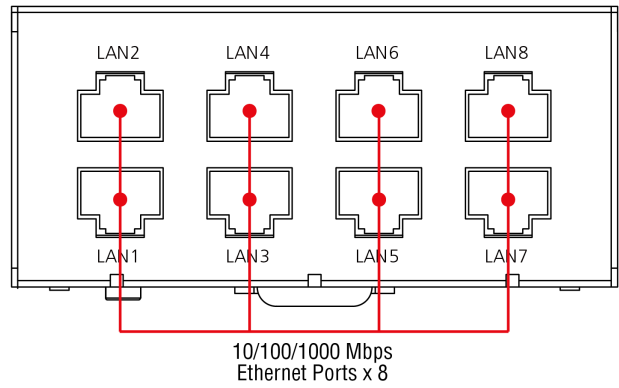
The PRP-HSR expansion module is compliant with IEC 62439-3 Clause 4 (PRP) and IEC 62439-3 Clause 5 (HSR) to ensure the highest system availability and data integrity for mission-critical applications that require redundancy and zero-time recovery. With dual Gigabit Ethernet port design, the DA-PRP-HSR module provides high performance for redundant network systems. Moxa's DA-720 Series industrial computer with the DA-PRP-HSR module installed is the ideal solution for power substation automation and process automation systems.

Appearance

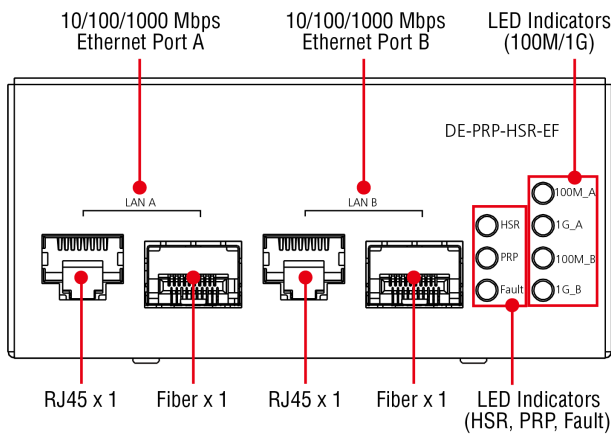
DE-LN04-RJ



DE-LN08-RJ



DE-PRP-HSR-EF



Specifications

Ethernet Interface

10/100/1000BaseT(X) Ports (RJ45 connector)	DE-LN04-RJ: 4 DE-LN08-RJ: 8 DE-PRP-HSR-EF: 2
1000BaseSFP Slots	DE-PRP-HSR-EF: 2
Magnetic Isolation Protection	1.5 kV (built-in)

Physical Characteristics

Dimensions	213.31 x 95 mm (8.398 x 3.74 in)
Weight	DE-LN04-RJ: 335 g (0.74 lb) DE-LN08-RJ: 365 g (0.80 lb) DE-PRP-HSR-EF: 365 g (0.80 lb)

Environmental Limits

Operating Temperature	-25 to 55°C (-13 to 131°F)
Storage Temperature (package included)	-40 to 85°C (-40 to 185°F)

Declaration

Green Product	RoHS, CRoHS, WEEE
---------------	-------------------

MTBF

Time	DE-LN04-RJ: 2,126,091 hrs DE-LN08-RJ: 1,459,164 hrs DE-PRP-HSR-EF: 1,895,911 hrs
Standards	Telcordia (Bellcore), GB

Warranty

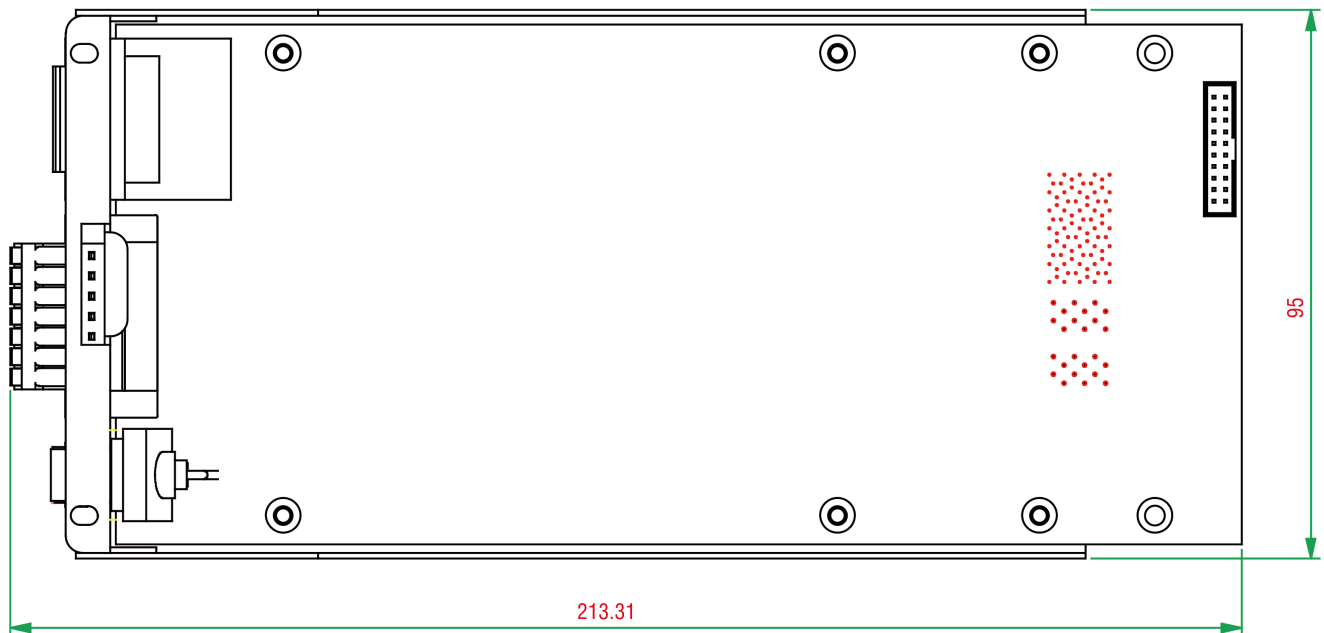
Warranty Period	3 years
Details	See www.moxa.com/warranty

Package Contents

Device	1 x DA-720-Ethernet Series expansion module
Documentation	1 x warranty card

Dimensions

Unit: mm



Ordering Information

Model Name	No. of Ports	100/1000 Mbps	RJ45	1000Base SFP	PRP/HSR
DE-LN04-RJ	4	✓	✓	-	-
DE-LN08-RJ	8	✓	✓	-	-
DE-PRP-HSR-EF	2	✓	✓	✓	✓

© Moxa Inc. All rights reserved. Updated Nov 12, 2018.

This document and any portion thereof may not be reproduced or used in any manner whatsoever without the express written permission of Moxa Inc. Product specifications subject to change without notice. Visit our website for the most up-to-date product information.