

AWK-5232 Series

Industrial IEEE 802.11a/b/g/n dual-radio wireless AP/bridge/client



- > IEEE 802.11a/b/g/n compliant
- > Dual-radio design for 2.4 GHz and/or 5 GHz bands
- > Redundant power inputs and PoE+
- > Industrial grade QoS (WMM) and VLAN supported
- > Supports client-based Turbo Roaming
- > -40 to 75°C operating temperature range (T models)



Introduction

The AWK-5232 industrial a/b/g/n wireless AP/bridge/client is an ideal wireless solution for hard-to-wire situations and all mobile equipment that is connected over a TCP/IP network. It provides a faster connection and wider range than 802.11g models, with the connection noticeably stronger at a distance. With two independent RF modules, the AWK-5232 allows two independent wireless connections over different frequencies, and supports a great variety of wireless configurations and applications. The AWK-5232 is compliant with the industrial standards and approvals covering operating temperature, power input voltage, surge, ESD, and vibration. The AWK-5232's two DC power inputs increases the power supply's reliability, and can also be powered via PoE+ for easier deployment.

Higher Data Rate and Greater Bandwidth

- High-speed wireless connectivity with up to 300 Mbps data rate in each radio module
- MIMO technology improves data throughput via multiplexed, smart antenna transmissions and receptions
- Channel bonding technology for increased throughput or channel redundancy
- Dual DC power inputs and PoE+
- Immunity against disconnection caused by radio interference

Specifications for Higher Security

- 64-bit and 128-bit WEP (Wired Equivalent Privacy)
- Enable/disable SSID broadcasts
- Power filters for access control
- IEEE/802.11X/RADIUS supported
- WPA/WPA2/802.11i supported

Specifications

WLAN Interface

Standards:

- IEEE 802.11a/b/g/n for Wireless LAN
- IEEE 802.11i for Wireless Security
- IEEE 802.3 for 10BaseT
- IEEE 802.3u for 100BaseTX
- IEEE 802.3ab for 1000BaseT
- IEEE 802.3at for Power-over-Ethernet Plus
- IEEE 802.1D for Spanning Tree Protocol
- IEEE 802.1w for Rapid STP
- IEEE 802.1Q for VLAN

Spread Spectrum and Modulation (typical):

- DSSS with DBPSK, DQPSK, CCK
- OFDM with BPSK, QPSK, 16QAM, 64QAM
- 802.11b: CCK @ 11/5.5 Mbps, DQPSK @ 2 Mbps, DBPSK @ 1 Mbps
- 802.11a/g: 64QAM @ 54/48 Mbps, 16QAM @ 36/24 Mbps, QPSK @ 18/12 Mbps, BPSK @ 9/6 Mbps
- 802.11n: 64QAM @ 300 Mbps to BPSK @ 6.5 Mbps (multiple rates supported)

Operating Channels (central frequency):

- US:
 - 2.412 to 2.462 GHz (11 channels)
 - 5.18 to 5.24 GHz (4 channels)
- EU:
 - 2.412 to 2.472 GHz (13 channels)
 - 5.18 to 5.24 GHz (4 channels)

JP:

- 2.412 to 2.472 GHz (13 channels, OFDM)
- 2.412 to 2.484 GHz (14 channels, DSSS)
- 5.18 to 5.24 GHz (4 channels for W52)

Security:

- SSID broadcast enable/disable
- Firewall for MAC/IP/Protocol/Port-based filtering
- 64-bit and 128-bit WEP encryption, WPA/WPA2-Personal and Enterprise (IEEE 802.1X/RADIUS, TKIP, and AES)

Transmission Rates:

- 802.11b: 1, 2, 5.5, 11 Mbps
- 802.11a/g: 6, 9, 12, 18, 24, 36, 48, 54 Mbps
- 802.11n: 6.5 to 300 Mbps (multiple rates supported)

Transmitter Power:

- 802.11b:
 - Typ. 18±1.5 dBm @ 1 to 11 Mbps
- 802.11g:
 - Typ. 18±1.5 dBm @ 6 to 24 Mbps,
 - Typ. 17±1.5 dBm @ 36 to 48 Mbps,
 - Typ. 15±1.5 dBm @ 54 Mbps
- 802.11n (2.4 GHz):
 - Typ. 14±1.5 dBm @ MCS15 20 MHz
- 802.11a:
 - Typ. 17±1.5 dBm @ 6 to 24 Mbps,
 - Typ. 16±1.5 dBm @ 36 to 48 Mbps,
 - Typ. 14±1.5 dBm @ 54 Mbps
- 802.11n (5 GHz):
 - Typ. 13±1.5 dBm @ MCS15 20 MHz,
 - Typ. 12±1.5 dBm @ MCS15 40 MHz

Receiver Sensitivity:

802.11b:

- 92 dBm @ 1 Mbps, -90 dBm @ 2 Mbps,
- 88 dBm @ 5.5 Mbps, -84 dBm @ 11 Mbps

802.11g:

- 87 dBm @ 6 Mbps, -86 dBm @ 9 Mbps,
- 85 dBm @ 12 Mbps, -82 dBm @ 18 Mbps,
- 80 dBm @ 24 Mbps, -76 dBm @ 36 Mbps,
- 72 dBm @ 48 Mbps, -70 dBm @ 54 Mbps

802.11n (2.4 GHz):

- 69 dBm @ MCS15 20 MHz,
- 71 dBm @ MCS7 20 MHz

802.11a:

- 87 dBm @ 6 Mbps, -86 dBm @ 9 Mbps,
- 85 dBm @ 12 Mbps, -82 dBm @ 18 Mbps,
- 80 dBm @ 24 Mbps, -76 dBm @ 36 Mbps,
- 72 dBm @ 48 Mbps, -70 dBm @ 54 Mbps

802.11n (5 GHz):

- 68 dBm @ MCS15 40 MHz, -69 dBm @ MCS15 20 MHz,
- 70 dBm @ MCS7 40 MHz, -71 dBm @ MCS7 20 MHz

Protocol Support

General Protocols: Proxy ARP, DNS, HTTP, HTTPS, IP, ICMP, SNTP, TCP, UDP, RADIUS, SNMP, DHCP, VLAN, STP/RSTP

Interface

Default Antennas: 4 dual-band omni-directional antennas, 2 dBi, RP-SMA (male)

Connector for External Antennas: RP-SMA (female)

LAN Ports: 2, RJ45, 10/100/1000BaseT(X), auto negotiation speed, F/H duplex mode, and auto MDI/MDI-X connection

Console Port: RS-232 (RJ45-type)

Reset: Present

LED Indicators: PWR1, PWR2, PoE+, FAULT, STATE, WLAN1, WLAN2, 100M, 1000M

Alarm Contact (digital output): 1 relay output with current carrying capacity of 1 A @ 24 VDC

Digital Inputs: 2 electrically isolated inputs

- +13 to +30 V for state "1"
- +3 to -30 V for state "0"
- Max. input current: 8 mA

Management

Device Management: Wireless Search Utility, SNMP

Physical Characteristics

Housing: Metal, IP30 protection

Weight: 1320 g (2.91 lb)

Dimensions: 75 x 135 x 105 mm (2.9 x 5.3 x 4.1 in)

Installation: DIN-rail mounting (standard), wall mounting (optional)

Environmental Limits

Operating Temperature:

Standard Models: -25 to 60°C (-13 to 140°F)

Wide Temp. Models: -40 to 75°C (-40 to 167°F)

Storage Temperature: -40 to 85°C (-40 to 185°F)

Ambient Relative Humidity: 5% to 95% (non-condensing)

Power Requirements

Input Voltage: 12 to 48 VDC, redundant dual DC power inputs or 48 VDC Power-over-Ethernet Plus (IEEE 802.3at compliant)

Input Current: 1.5 A @ 12 VDC

Connector: 10-pin removable terminal block

Power Consumption: 18 W

Reverse Polarity Protection: Present

Standards and Certifications

Safety: UL 60950-1, EN 60950-1

EMC: EN 55032/24

EMI: CISPR 32, FCC Part 15B Class B

EMS:

IEC 61000-4-2 ESD: Contact: 8 kV; Air: 15 kV

IEC 61000-4-3 RS: 80 MHz to 1 GHz: 3 V/m

IEC 61000-4-4 EFT: Power: 2 kV; Signal: 2 kV

IEC 61000-4-5 Surge: Power: 2 kV; Signal: 1 kV

IEC 61000-4-6 CS: 3 V

IEC 61000-4-8

Radio: EN 301 489-1/17, EN 300 328, EN 301 893, TELEC, FCC ID SLE-WAPN001

Note: Please check Moxa's website for the most up-to-date certification status.

MTBF (mean time between failures)

Time: 290,422 hrs

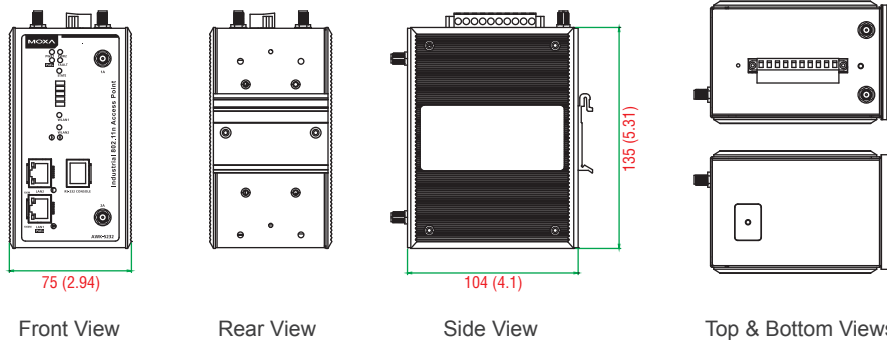
Standard: Telcordia SR332

Warranty

Warranty Period: 5 years

Details: See www.moxa.com/warranty

Dimensions



Ordering Information

Available Models

AWK-5232-US: IEEE 802.11a/b/g/n dual-radio wireless AP/bridge/client, US band, -25 to 60°C operating temperature

AWK-5232-US-T: IEEE 802.11a/b/g/n dual-radio wireless AP/bridge/client, US band, -40 to 75°C operating temperature

AWK-5232-EU: IEEE 802.11a/b/g/n dual-radio wireless AP/bridge/client, EU band, -25 to 60°C operating temperature

AWK-5232-EU-T: IEEE 802.11a/b/g/n dual-radio wireless AP/bridge/client, EU band, -40 to 75°C operating temperature

AWK-5232-JP: IEEE 802.11a/b/g/n dual-radio wireless AP/bridge/client, JP band, -25 to 60°C operating temperature

AWK-5232-JP-T: IEEE 802.11a/b/g/n dual-radio wireless AP/bridge/client, JP band, -40 to 75°C operating temperature

Note: Please visit Moxa's website for a complete list of optional wireless accessories and antennas available for Moxa's wireless products.

Package Checklist

- AWK-5232 wireless AP/bridge/client
- 4 2.4/5 GHz antennas: ANT-WDB-ARM-02
- DIN-rail kit
- 2 plastic RJ protective caps for LAN and Console ports
- Cable holder with 1 screw
- Documentation and software CD
- Quick installation guide (printed)
- Warranty card