

ioThinX 4500 (45M) Module Series Quick Installation Guide

Edition 1.0, August 2018

Technical Support Contact Information www.moxa.com/support

Moxa Americas:

Toll-free: 1-888-669-2872

Tel: 1-714-528-6777

Fax: 1-714-528-6778

Moxa China (Shanghai office):

Toll-free: 800-820-5036

Tel: +86-21-5258-9955

Fax: +86-21-5258-5505

Moxa Europe:

Tel: +49-89-3 70 03 99-0

Fax: +49-89-3 70 03 99-99

Moxa Asia-Pacific:

Tel: +886-2-8919-1230

Fax: +886-2-8919-1231

Moxa India:

Tel: +91-80-4172-9088

Fax: +91-80-4132-1045



© 2018 Moxa Inc. All rights reserved.

P/N: 1802045001010



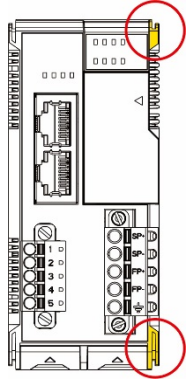
Package Checklist

- 1 ioThinX 4500 (45M) Module
- Quick installation guide (printed)

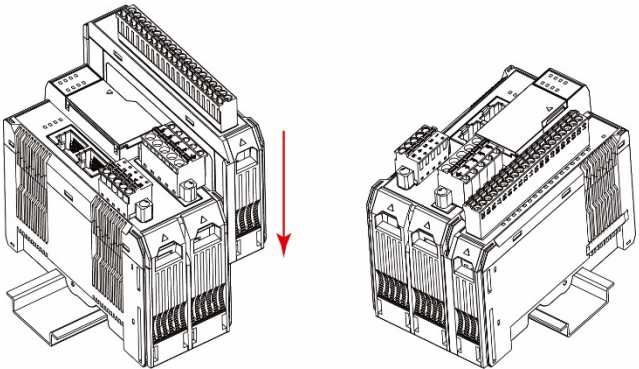
Installation

Installing a 45M Module on a DIN-Rail

Step 1: Align the 45M module side by side with the head/CPU module, making sure that the upper and lower rails are hooked together.



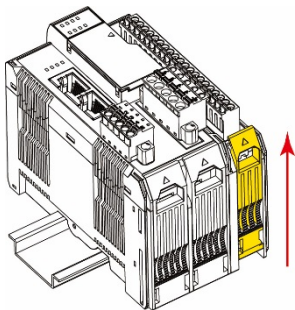
Step 2: Align the 45M module side by side with the head/CPU module and then push the 45M module until it touches the DIN-rail. Next, apply more force until the module clips to the DIN-rail.



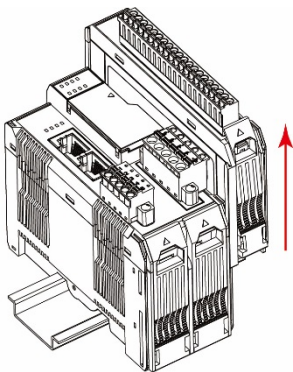
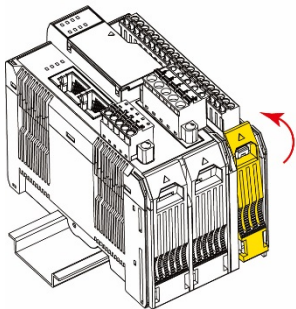
NOTE After the module is firmly attached to the DIN-rail, the module connections to the internal bus will be established.

Removing a 45M Module from a DIN-Rail

Step 1: Use your finger to lift the release tab on the lower part of the module.



Step 2: Push the top of the release tab to latch it, and then pull the module out.



NOTE Electrical connections for the internal bus will be disconnected when removing the 45M module.

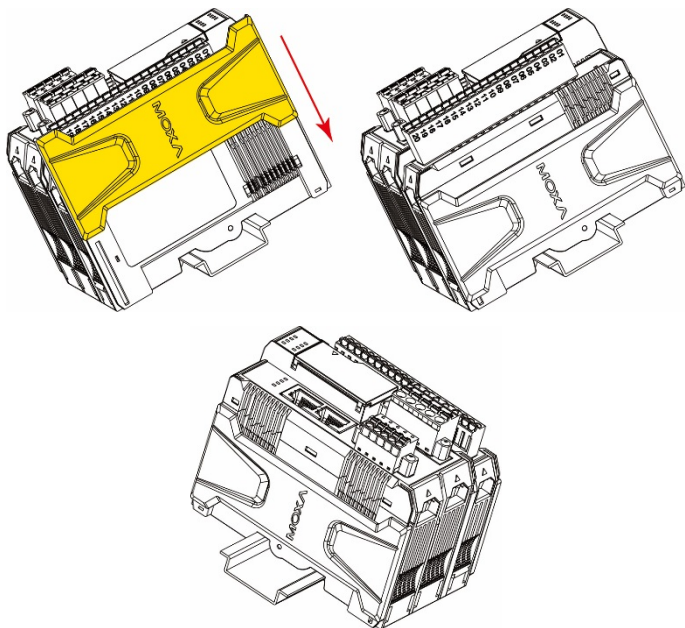


WARNING

Be sure the power is off before removing modules to avoid unexpected damage.

Installing the Covers on the First and Last Module

Attach the covers to the first and last module to cover the modules' contacts.



NOTICE

Be sure to attach the covers to provide electrostatic discharge protection.

LED Indicators

Labeling	Indication	Description
Status	Status	Green: Module ready Green Slow Blinking: Booting up Green Fast Blinking: Locating Red: Module error Red Slow Blinking: Upgrading firmware Red Fast Blinking: Safe mode (output module only) Off: Power off
I/O Channel	Channel Status	Please refer to the ioThinX 4500 Series User's Manual

Module Configuration

Please refer to the ioThinX 4500 Series User's Manual.

Specifications

Input Current	Varies per module; please refer to the datasheet
Input Voltage	System Power: 3.3 VDC Field Power: 12/24 VDC
Operating Temperature	Standard Models: -20 to 60°C (-4 to 140°F) Wide Temp. Models: -40 to 75°C (-40 to 167°F)
Storage Temperature	-40 to 85°C (-40 to 185°F)