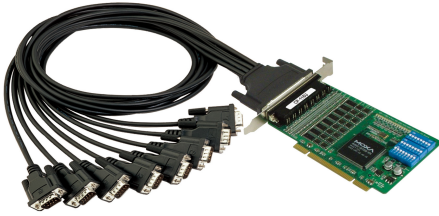


# CP-118U/138U 系列

## 8 埠 RS-232/422/485 Universal PCI 串列擴充卡



### 特色與優點

- 超過 700 kbps 數據傳輸量，可提供最高效能
- 快速資料傳輸，最高傳輸率達 921.6 Kbps
- 128 位元 FIFO 和晶片內建軟硬體流量控制
- 與 3.3/5 V PCI 和 PCI-X 相容
- 為多種作業系統提供的驅動程式，包括 Windows、Linux 和 UNIX
- 內建 LED 與管理軟體，可輕鬆維護
- 提供寬溫版本，適合 -40 至 85°C 的作業環境

### 認證



### 簡介

CP-118U 和 CP-138U 是智慧型 8 埠 Universal PCI 串列擴充卡，專為 POS 和 ATM 應用程式以及用於工業自動化系統製造商與系統整合商所設計。這兩種串列擴充卡都與所有主要的作業系統相容。此外，CP-118U 的 8 RS-232/422/485 埠和 CP-138U 的 8 RS-422/485 埠支援高達 921.6 kbps 的數據傳輸率，可提供完整數據機控制訊號，以確保與廣泛串列週邊設備的相容性。CP-118U 和 CP-138U 支援 3.3 V 和 5 V PCI 匯流排，因此它們非常適合安裝在多數 PC 伺服器上。

### 為 Windows、Linux 和 UNIX 提供的驅動程式

Moxa 持續為各種不同的作業系統提供支援，CP-118U 和 CP-138U 串列擴充卡也不例外。我們提供適用於所有 Moxa 擴充卡並且極為可靠的 Windows 和 Linux/UNIX 驅動程式，而其他作業系統（例如 WEPOS）也支援嵌入式整合。

### 規格

#### Serial Interface

Comm. Controller	MU860 (16C550C compatible)
Bus	32-bit Universal PCI
Connector	CP-118U/138U Series: DB62 female CP-118U-I/138U-I Series: DB78 female
FIFO	128 bytes
Max. No. of Boards per PC	8
No. of Ports	8
Serial Standards	CP-118U Series: RS-232, RS-422, RS-485 CP-138U Series: RS-422, RS-485
Baudrate	50 bps to 921.6 kbps
Data Bits	5, 6, 7, 8
Stop Bits	1, 1.5, 2
Parity	None, Even, Odd, Space, Mark

Flow Control	CP-118U Series: None, RTS/CTS, XON/XOFF CP-138U Series: None, XON/XOFF
Isolation	CP-118U-I/138U-I Series: 2 kV
<b>Serial Signals</b>	
RS-232	TxD, RxD, RTS, CTS, DTR, DSR, DCD, GND
RS-422	Tx+, Tx-, Rx+, Rx-, RTS+, RTS-, CTS+, CTS-, GND
RS-485-4w	Tx+, Tx-, Rx+, Rx-, GND
RS-485-2w	Data+, Data-, GND
<b>Serial Software Features</b>	
Windows Drivers	DOS, Windows 95/98/ME/NT/2000, Windows XP/2003/Vista/2008/7/8/8.1/10 (x86/x64), Windows 2008 R2/2012/2012 R2 (x64), Windows Embedded CE 5.0/6.0, Windows XP Embedded
Linux Drivers	Linux kernel 2.4.x, Linux kernel 2.6.x, Linux kernel 3.x, Linux kernel 4.x, Linux kernel 5.x
UNIX Drivers	QNX 6, SCO OpenServer, UnixWare 7, Solaris 10, FreeBSD
<b>Power Parameters</b>	
Input Current	CP-118U Series: 240 mA @ 5 VDC (RS-232); 300 mA @ 5 VDC (RS-422) CP-138U Series: 135 mA @ 5 VDC (RS-422)
<b>Physical Characteristics</b>	
Dimensions	82 x 135 mm (3.22 x 5.31 in)
<b>LED Interface</b>	
LED Indicators	Built-in Tx, Rx LEDs for each port
<b>Environmental Limits</b>	
Operating Temperature	Standard Models: 0 to 55°C (32 to 131°F) Wide Temp. Models: -40 to 85°C (-40 to 185°F)
Storage Temperature (package included)	-40 to 85°C (-40 to 185°F)
Ambient Relative Humidity	5 to 95% (non-condensing)
<b>Standards and Certifications</b>	
EMC	EN 55032/24
EMI	CISPR 32, FCC Part 15B Class B
EMS	IEC 61000-4-2 ESD: Contact: 4 kV; Air: 8 kV IEC 61000-4-3 RS: 80 MHz to 1 GHz: 3 V/m
International Approval	CP-138U: KC
<b>Declaration</b>	
Green Product	RoHS, CRoHS, WEEE
<b>MTBF</b>	
Time	CP-118U Series: 1,073,385 hrs CP-138U Series: 1,147,210 hrs
Standards	Telcordia SR332

## Warranty

Warranty Period	5 years
Details	See <a href="http://www.moxa.com/tw/warranty">www.moxa.com/tw/warranty</a>

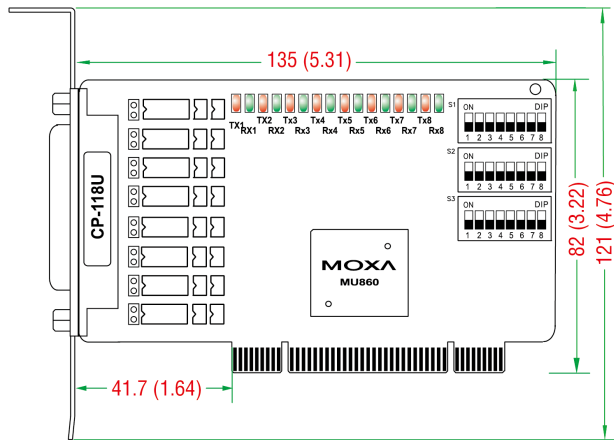
## Package Contents

Device	1 x CP-118U/138U Series serial board
Documentation	1 x document and software CD 1 x quick installation guide 1 x substance disclosure table 1 x warranty card

## 尺寸

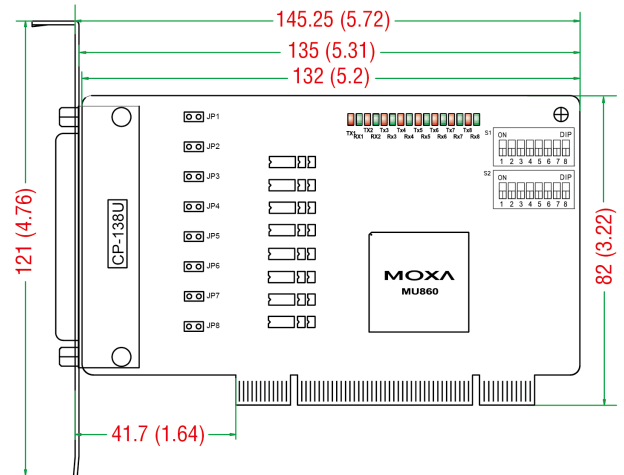
### CP-118U

單位：公釐 (英吋)



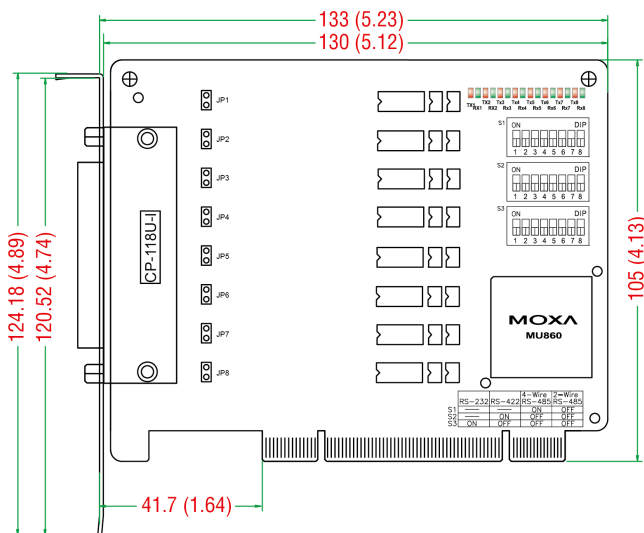
### CP-138U

單位：公釐 (英吋)



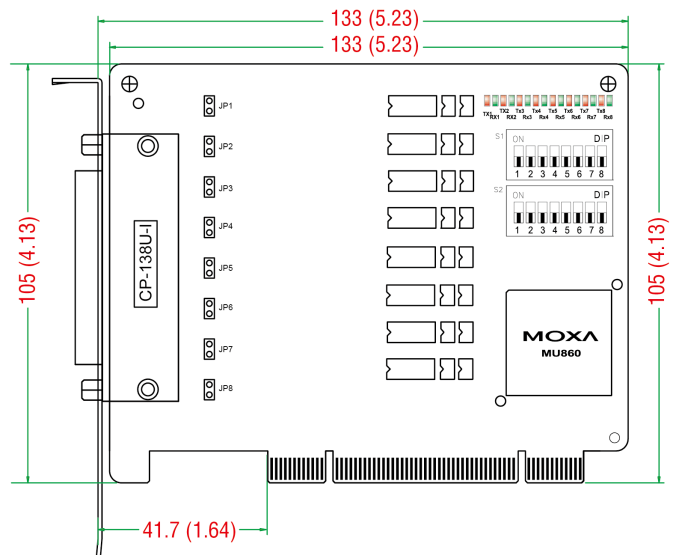
### CP-118U-I

單位：公釐 (英吋)



### CP-138U-I

單位：公釐 (英吋)



## 訂購資訊

Model Name	Serial Standards	No. of Serial Ports	Serial Connector	Serial Isolation Protection	Operating Temp.
CP-118U	RS-232/422/485	8	DB62 female	–	0 to 55°C
CP-138U	RS-422/485	8	DB62 female	–	0 to 55°C
CP-118U-T	RS-232/422/485	8	DB62 female	–	-40 to 85°C
CP-138U-T	RS-422/485	8	DB62 female	–	-40 to 85°C
CP-118U-I	RS-232/422/485	8	DB78 female	2 kV	0 to 55°C
CP-138U-I	RS-422/485	8	DB78 female	2 kV	0 to 55°C
CP-118U-I-T	RS-232/422/485	8	DB78 female	2 kV	-40 to 85°C
CP-138U-I-T	RS-422/485	8	DB78 female	2 kV	-40 to 85°C

## 配件 (選購)

### Cables

CBL-M62M25x8-100	M62 to 8 x DB25 male serial cable, 1 m  Applicable Models: CP-118U-T CP-118U CP-138U CP-138U-T
CBL-M62M9x8-100	M62 to 8 x DB9 male serial cable, 1 m  Applicable Models: CP-118U CP-118U-T CP-138U CP-138U-T
CBL-M78M25x8-100	M78 to 8 x DB25 male serial cable, 1 m  Applicable Models: CP-138U-I CP-118U-I CP-138U-I-T CP-118U-I-T
CBL-M78M9x8-100	M78 to 8 x DB9 male serial cable, 1 m  Applicable Models: CP-118U-I-T CP-138U-I-T CP-138U-I CP-118U-I

### Connectors

Mini DB9F-to-TB	DB9 female to terminal block connector
-----------------	--

### Connection Boxes

OPT8A	M62 to 8 x DB25 female connection box with DB62 male to DB62 female serial cable  Applicable Models: CP-138U-T CP-138U CP-118U CP-118U-T
OPT8B	M62 to 8 x DB25 male connection box with DB62 male to DB62 female cable, 1.5 m  Applicable Models: CP-118U CP-138U-T

	CP-118U-T CP-138U
OPT8S	M62 to 8 x DB25 female connection box with surge protection and a DB62 male to DB62 female cable, 1.5 m  Applicable Models: CP-118U CP-138U CP-138U-T CP-118U-T
OPT8-M9	M62 to 8 x DB9 male connection box, DB62 male to DB62 female cable, 1.5 m  Applicable Models: CP-138U CP-118U-T CP-138U-T CP-118U
OPT8-RJ45	M62 to 8 x RJ45 (8-pin) connection box, 30 cm  Applicable Models: CP-118U CP-118U-T CP-138U CP-138U-T

© Moxa Inc. 版權所有. 2020 年 3 月 6 日更新。

未經 Moxa Inc. 明確書面許可，不得以任何方式複製或使用本文件及其任何部分。產品規格如有變更，恕不另行通知。請至本公司官網了解最新的產品資訊。