

# WDR-3124A 系列

## 工業 802.11n/HSPA 無線路由器



### 特色與優點

- 通用 GSM/GPRS/HSPA 蜂巢式網路通訊
- 2.4-GHz/5-GHz 雙頻 300 Mbps Wi-Fi 通訊
- 內建 4 埠 Gigabit 乙太網路交換器
- 具有雙電源輸入和內建 DI/DO 支援的工業設計
- 雙 SIM 卡的蜂巢式網路連結備援
- GuaranLink 提供可靠的蜂巢式網路連線
- 天線和電源隔離設計，防止干擾

### 認證



### 簡介

WDR-3124A 工業無線路由器結合 802.11n 和蜂巢式網路技術，可提供彈性的無線網路連線。WDR-3124A 隨附有內建天線和電源隔離，適用於任何嚴苛的工業環境。WDR-3124A 採用 DIN 軌道安裝、寬操作溫度範圍型號和 IP30 外殼，是適用於任何工業無線應用而且方便可靠的解決方案。

### WLAN 和蜂巢式網路連線

- 高速無線連線，最高可達 300 Mbps 的資料傳輸速率
- WLAN AP/用戶端路由器運作模式支援
- GSM/GPRS/HSPA 連線的通用蜂巢式網路頻段支援

### 有效的隔離和備援設計

- 電源備援的雙電源輸入
- 蜂巢式網路連線備援的雙 SIM 卡支援
- 防止無線電干擾的天線隔離
- 電源絕緣保護的電源隔離

### 規格

#### Cellular Interface

Cellular Standards	GSM, GPRS, EDGE, UMTS, HSPA
Band Options	UMTS/HSPA 800 MHz / 850 MHz / 900 MHz / 1900 MHz / 2100 MHz Universal quad-band GSM/GPRS/EDGE 850 MHz / 900 MHz / 1800 MHz / 1900 MHz
HSPA Data Rates	14.4 Mbps DL, 5.76 Mbps UL
EDGE Data Rates	237 kbps DL, 237 kbps UL
GPRS Data Rates	85.6 kbps DL, 85.6 kbps UL
No. of SIMs	2
SIM Control Voltage	3 V
Cellular Antenna Connectors	1 SMA female

## WLAN Interface

WLAN Standards	802.11a/b/g/n 802.11i Wireless Security
Spread Spectrum	DSSS, OFDM
Modulation Type	802.11b: CCK @ 11/5.5 Mbps 802.11b: DQPSK @ 2 Mbps 802.11b: DBPSK @ 1 Mbps 802.11a/g: 64QAM @ 54/48 Mbps 802.11a/g: 16QAM @ 36/24 Mbps 802.11a/g: QPSK @ 18/12 Mbps 802.11a/g: BPSK @ 9/6 Mbps 802.11n: 64QAM @ 300 Mbps to BPSK @ 6.5 Mbps
Frequency Band for EU (20 MHz operating channels)	2.142 to 2.472 GHz (13 channels) 5.180 to 5.240 GHz (4 channels)
Frequency Band for US (20 MHz operating channels)	2.412 to 2.462 GHz (11 channels) 5.180 to 5.240 GHz (4 channels) 5.745 to 5.825 GHz (5 channels)
Wireless Security	WEP encryption (64-bit and 128-bit) WPA/WPA2-Enterprise (IEEE 802.1X/RADIUS, TKIP, AES) WPA/WPA2-Personal SSID broadcast enable/disable
Transmission Rate	802.11a/g: 6, 9, 12, 18, 24, 36, 48, 54 Mbps 802.11b: 1, 2, 5.5, 11 Mbps 802.11n HT20: 6.5 to 150 Mbps (MCS0 to MCS7) 802.11n HT40: 150 to 300 Mbps (MCS8 to MCS15)
Transmitter Power for 802.11a	20±1.5 dBm @ 6 to 24 Mbps 19±1.5 dBm @ 36 Mbps 16±1.5 dBm @ 48 Mbps 15±1.5 dBm @ 54 Mbps
Transmitter Power for 802.11b	23±1.5 dBm @ 1 Mbps 20±1.5 dBm @ 5 Mbps 19±1.5 dBm @ 11 Mbps
Transmitter Power for 802.11g	20±1.5 dBm @ 6 to 24 Mbps 19±1.5 dBm @ 36 Mbps 18±1.5 dBm @ 48 Mbps 17±1.5 dBm @ 54 Mbps
Transmitter Power for 802.11n (2.4 GHz)	20±1.5 dBm @ MCS0/8 20 MHz 20±1.5 dBm @ MCS0/8 40 MHz 16±1.5 dBm @ MCS7/15 20 MHz 16±1.5 dBm @ MCS7/15 40 MHz
Transmitter Power for 802.11n (5 GHz)	19±1.5 dBm @ MCS0/8 20 MHz 18±1.5 dBm @ MCS0/8 40 MHz 14±1.5 dBm @ MCS7/15 20 MHz 14±1.5 dBm @ MCS7/15 40 MHz
Receiver Sensitivity for 802.11a	-92 dBm @ 6 Mbps -89 dBm @ 9 Mbps -85 dBm @ 12 Mbps -82 dBm @ 18 Mbps -80 dBm @ 24 Mbps -76 dBm @ 36 Mbps -74 dBm @ 48 Mbps -72 dBm @ 54 Mbps
Receiver Sensitivity for 802.11b	-90 dBm @ 1 Mbps -88 dBm @ 2 Mbps -86 dBm @ 5.5 Mbps -84 dBm @ 11 Mbps
Receiver Sensitivity for 802.11g	-85 dBm @ 6 Mbps

	-84 dBm @ 9 Mbps -83 dBm @ 12 Mbps -82 dBm @ 18 Mbps -80 dBm @ 24 Mbps -76 dBm @ 36 Mbps -70 dBm @ 48 Mbps -70 dBm @ 54 Mbps
Receiver Sensitivity for 802.11n (2.4 GHz)	-70 dBm @ MCS7 20 MHz -68 dBm @ MCS15 20 MHz -65 dBm @ MCS7 40 MHz -63 dBm @ MCS15 40 MHz
Receiver Sensitivity for 802.11n (5 GHz)	-70 dBm @ MCS7 20 MHz -67 dBm @ MCS15 20 MHz -68 dBm @ MCS7 40 MHz -66 dBm @ MCS15 40 MHz
WLAN Antenna Connector	2 RP-SMA female
<b>GPS Interface</b>	
GPS Antenna Connector	1 SMA female
<b>Ethernet Interface</b>	
10/100/1000BaseT(X) Ports (RJ45 connector)	4
Standards	IEEE 802.3 for 10BaseT IEEE 802.3ab for 1000BaseT(X) IEEE 802.3u for 100BaseT(X)
Total Port Count	4
<b>LED Interface</b>	
LED Indicators	PWR1, PWR2, STATUS, FAULT, CELLULAR SIGNAL, WIFI SIGNAL, WLAN, SIM1, SIM2, 2G, 3G, GPS
<b>Input/Output Interface</b>	
Alarm Contact Channels	1, Relay output with current carrying capacity of 1 A @ 24 VDC
Buttons	Reset button
Digital Input Channels	2
Digital Inputs	+13 to +30 V for state 1 3 to -30 V for state 0
<b>Ethernet Software Features</b>	
Management	ARP, DDNS, DHCP Client, DNS, HTTP, SMTP, SNMPv1/v2c/v3, TCP/IP, Telnet, UDP, Web Console, Wireless Search Utility, Serial Console, Telnet Console, Remote SMS Control, OnCell Central Manager, GuaranLink
Security	HTTPS, IPsec, SSH
Time Management	SNTP
Routing	NAT, Port forwarding
Firewall	Filter: MAC, IP protocol, port-based
<b>IPsec VPN</b>	
Authentication	MD5 and SHA (SHA-256) PSK/X.509/RSA
Concurrent VPN Tunnels	Max. 5 IPsec VPN tunnels

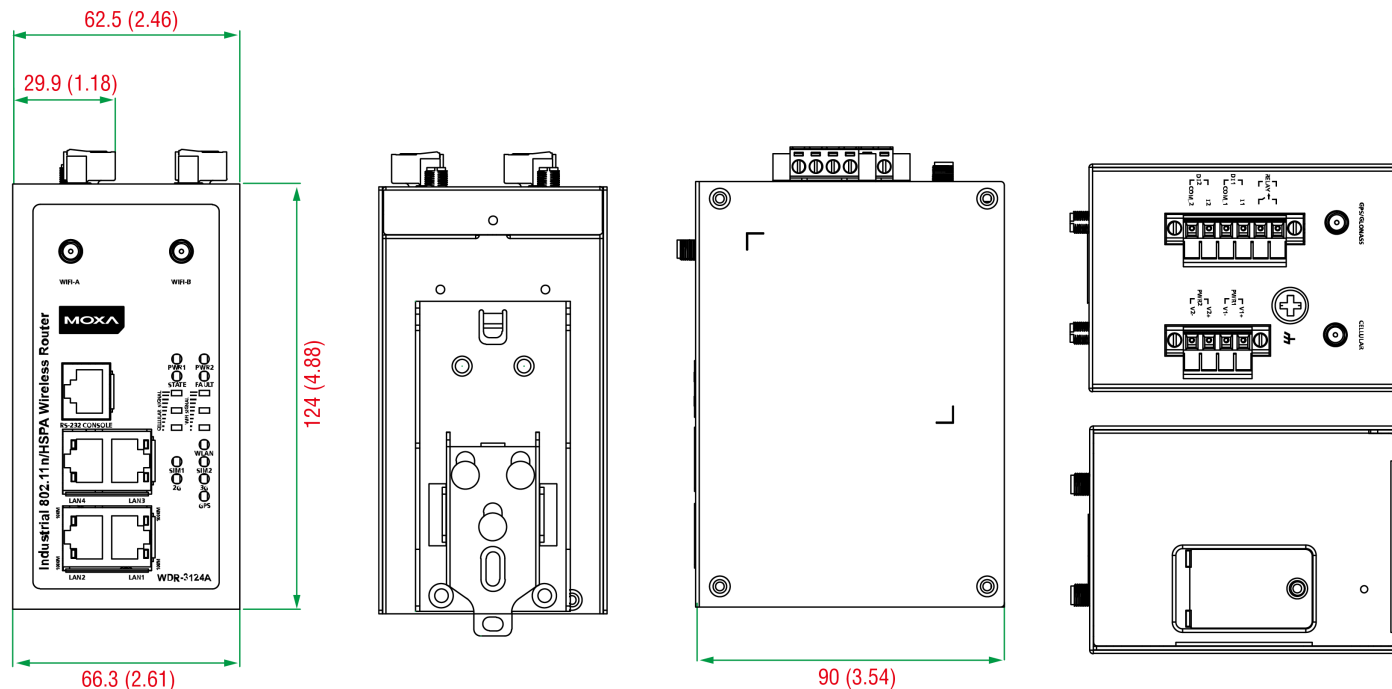
Protocols	IPsec
Encryption	DES, 3DES, AES, MD5, SHA-1, DH2, DH5
<b>Physical Characteristics</b>	
Housing	Aluminum
IP Rating	IP30
Dimensions	66.3 x 124 x 90 mm (2.61 x 4.88 x 3.54 in)
Weight	1,280 g (2.82 lb)
<b>Environmental Limits</b>	
Operating Temperature	Standard Models: 0 to 55°C (32 to 131°F) Wide Temp. Models: -30 to 70°C (-22 to 158°F)
Storage Temperature (package included)	-40 to 85°C (-40 to 185°F)
Ambient Relative Humidity	5 to 95% (non-condensing)
<b>Power Parameters</b>	
Power Connector	Terminal block
Input Voltage	Redundant dual inputs, 12 to 48 VDC
Input Current	0.7 A @ 12 VDC, 0.2 A @ 48 VDC
Reverse Polarity Protection	Supported
<b>Standards and Certifications</b>	
Safety	EN 60950-1, UL 60950-1
EMC	EN 61000-6-2/-6-4
EMI	CISPR 32, FCC Part 15B Class A
EMS	IEC 61000-4-2 ESD: Contact: 8 kV; Air: 15 kV IEC 61000-4-3 RS: 80 MHz to 1 GHz: 10 V/m IEC 61000-4-4 EFT: Power: 2 kV; Signal: 2 kV IEC 61000-4-5 Surge: Power: 2 kV; Signal: 1 kV IEC 61000-4-6 CS: 10 V IEC 61000-4-8 PFMF
Radio Frequency	EN 301 489-1, EN 301 489-7, EN 301 511, EN 301 908, EN 300 328, EN 301 893, FCC ID SLE-WAPN005
<b>MTBF</b>	
Time	382,851 hrs
Standards	Telcordia SR332
<b>Warranty</b>	
Warranty Period	5 years
Details	See <a href="http://www.moxa.com/tw/warranty">www.moxa.com/tw/warranty</a>
<b>Package Contents</b>	
Device	1 x WDR-3124A Series wireless router <sup>1</sup>
Installation Kit	1 x DIN-rail kit

1. 已啟動的 SIM 卡 ( 未隨附 ) 必須由第三方蜂巢式網路服務供應商提供。

Antenna	2 x 2.4/5 GHz antenna, 1 x UMTS/HSPA
Documentation	1 x quick installation guide 1 x warranty card

## 尺寸

單位：公釐（英吋）



Front View

Rear View

Left Side View

Top and Bottom Views

## 訂購資訊

Model Name	Cellular Standard	Wi-Fi Standard	Wi-Fi Band	Operating Temp.
WDR-3124A-US	UMTS/HSPA	802.11n	US	0 to 55°C
WDR-3124A-US-T	UMTS/HSPA	802.11n	US	-30 to 70°C
WDR-3124A-EU	UMTS/HSPA	802.11n	Europe	0 to 55°C
WDR-3124A-EU-T	UMTS/HSPA	802.11n	Europe	-30 to 70°C

## 配件（選購）

### Antennas

ANT-WCDMA-ANF-00	GSM/GPRS/EDGE/UMTS/HSPA, omni-directional outdoor antenna, 0 dBi
ANT-WCDMA-ASM-1.5	GSM/GPRS/EDGE/UMTS/HSPA, omni-directional rubber duck antenna, 1.5 dBi
ANT-WCDMA-AHSM-04-2.5m	GSM/GPRS/EDGE/UMTS/HSPA, omni-directional magnetic base antenna, 4 dBi
ANT-LTE-ASM-02	GPRS/EDGE/UMTS/HSPA/LTE, omni-directional rubber duck antenna, 2 dBi
ANT-LTE-ANF-04	GSM/GPRS/EDGE/UMTS/HSPA/LTE, omni-directional outdoor antenna, 4 dBi, IP66
ANT-LTEUS-ASM-01	GSM/GPRS/EDGE/UMTS/HSPA/LTE, omni-directional rubber duck antenna, 1 dBi
ANT-GPS-CSM-03-3m	Passive GPS antenna, 3 dBi, 1572 MHz

### Wireless Antenna Cables

A-CRF-RMNM-L1-300	N-type (male) to RP SMA (male), LMR-195 Lite cable, 3 m
A-CRF-SMSF-R3-100	Cellular magnetic-base SMA connector with 1-meter RF cable
A-CRF-RMNM-L1-900	N-type (male) to RP SMA (male), LMR-195 Lite cable, 9 m
CRF-N0117SA-3M	N-type (male) to RP SMA (male), CFD200 cable, 3 m
A-CRF-RMNM-L1-600	N-type (male) to RP SMA (male), LMR-195 Lite cable, 6 m
CRF-SMA(M)/N(M)-300	N-type (male) to SMA (male), CFD200 cable, 3 m

© Moxa Inc. 版權所有.2019 年 6 月 12 日更新。

未經 Moxa Inc. 明確書面許可，不得以任何方式複製或使用本文件及其任何部分。產品規格如有變更，恕不另行通知。請至本公司官網了解最新的產品資訊。