

# VPort P16-1MP-M12-IR 系列

EN 50155，HD 影像，紅外線 IP 攝影機



## 特色與優點

- 1/2.7 吋逐行掃描攝影機，30 fps 時可達到 1280 x 800 之解析度
- 內建 IR (紅外線) 照明器和 ICR (紅外線濾光片切換器) 適用於日、夜間攝影
- 以 DNR 和 WDR 提供高畫質影像
- 可支援高達 3 組 H.264 或 MJPEG 獨立影像串流
- DynaStream™ 可優化網路效能
- CBR Pro™ 在有限頻寬傳輸更高畫質的影像
- 支援 DHCP options 66 和 67 自動配置
- 1 個內建麥克風可用於音源輸入，1 個數位輸入可用於外接感測器
- 符合 ONVIF 中標準化和互操作性

## 認證



## 簡介

堅固耐用的 VPort P16-1MP-M12-IR 攝影機可錄置 HD (720P, 1280 x 720) 視訊影像，擁有 3 組 H.264/MJPEG 視訊串流，它多樣的功能及堅固性，使其適合安裝於各種不同的環境中，以達到行動 IP 視訊監控應用的需求。此外，此系列攝影機符合防爆等級 (EN 62262 Ik10)、提供 -25 到 55°C 或是 -40 到 70°C (T 型號) 的操作溫度範圍、堅固耐用的 M12 乙太網路連接埠、PoE 電源輸入、內建麥克風、數位輸入、IP66 防雨防塵等級、和紅外線照明，滿足日夜間影像錄製需求。並且符合 EN 50155 的強制要求。<sup>1</sup>

## 規格

### Input/Output Interface

Digital Input Channels	1
Digital Inputs	+13 to +30 V for state 1 -30 to +1 V for state 0 Max. input current: 8 mA
Connector	5-pin A-coded male M12 connector with 20 cm cable

### Ethernet Interface

PoE Ports (10/100BaseT(X), M12 D-coded 4-pin female connector)	1
Standards	IEEE 802.3af for PoE

### Ethernet Software Features

Protocols	TCP/IP, IPv4, UDP, HTTP, RTP/RTSP, ARP, UPnP, FTP, TFTP, SMTP, NTP Client, DNS, DDNS, QoS, IGMP v3, ICMP, SNMPv1/v2c/v3, DHCP Opt66/67, HTTPS
-----------	---

1. 此產品適用於符合 EN 50155 標準所定義的所有軌道車輛應用。如需更詳細的說明，請參閱：  
[www.moxa.com/doc/specs/EN\\_50155\\_Compliance.pdf](http://www.moxa.com/doc/specs/EN_50155_Compliance.pdf)

## Security Functions

Password	User-level password protection
Filter	IP address
Encryption	HTTPS

## Power Parameters

No. of Power Inputs	1
Source of Input Power	PoE (IEEE 802.3af)
Input Current	0.19 A @ 48 VDC

## Camera Characteristics

Sensor	1/2.7-in HD progressive scan CMOS
Lens	VPort P16-1MP-M12-IR-CAM36 Series: f=3.6mm, F1.6, Diagonal 99°, Horizontal 94°, Vertical 47° VPort P16-1MP-M12-IR-CAM80 Series: f=8.0mm, F1.6, Diagonal 45°, Horizontal 40°, Vertical 22°
Minimum Illumination	Color: 0.2 lux, at F1.2 (Gain High, 50 IRE, 1/30 sec) B/W: 0.05 lux, at F1.2 (Gain High, 50 IRE, 1/30 sec) Note: 0 lux if IR illuminator is on
Camera Angle	Pan 350°, Tilt 65° (controlled manually)
Day & Night	Auto/Color/BW; ICR control
Synchronization	Internal
White Balance	ATW/AWB
Electronic Shutter	Auto, Fixed (1/30 to 1/25000 sec)
S/N Ratio	Maximum 50 dB (AGC off; DNR on)
ICR Control	Auto (light sensor control) or DI control
IR Illumination	IR LED illuminators, 5-meter (max.) effective distance; On/Off controlled manually (night mode) or by the light sensor
DNR (digital noise reduction)	Built-in 2D/3D DNR
WDR (wide dynamic range)	110 dB
Flickerless Control	Automatic, 50 Hz, 60 Hz modes
Image Rotation	Flip, Mirror, and 180° rotation
Image Setting	Manual tuning with saturation, sharpness, and contrast
AGC (auto gain control)	2X, 4X, 8X, 16X, 32X, 64X
BLC (back light compensation)	High/Medium/Low

## Video Interface

Video Compression	H.264 (ISO/IEC 14496-10) or MJPEG
Video Output	via Ethernet
Video Streams	3 independent H.264 or MJPEG video streams

Video Resolution and FPS (frames per second)		NTSC		PAL	
		Size	Max. FPS	Size	Max. FPS
	QCIF	176 x 112	30	176 x 144	25
	QVGA	320 x 240	30	320 x 240	25
	CIF	352 x 240	30	352 x 288	25
	VGA	640 x 480	30	640 x 480	25
	4CIF	704 x 480	30	704 x 576	25
	Full D1	720 x 480	30	720 x 576	25
	SVGA	800 x 600	30	800 x 600	25
	HD	1280 x 720	30	1280 x 720	25
WXGA	1280 x 800	30	1280 x 800	25	
Video Viewing	<p>DynaStream™ support for changing the video frame rate automatically</p> <p>CBR Pro™ for good image quality in limited bandwidth transmissions</p> <p>3 privacy mask areas provided</p> <p>Adjustable image size and quality</p> <p>Timestamp and text overlay</p> <p>OSD (On Screen Display) position adjustable</p> <p>Maximum of 5 simultaneous unicast connections, 50 multicast clients</p>				
<b>Audio Interface</b>					
Audio Format	Mono, PCM (G.711)				
Audio Inputs	1 x built-in microphone				
<b>Camera Software Development</b>					
VPort SDK PLUS	Includes CGI commands, ActiveX Control, and API library for customized applications or system integration for third-party developers				
Video Standards	ONVIF Profile S				
<b>Camera Alarm Software Features</b>					
Intelligent Video	Camera tampering detection				
Video Motion Detection	3 independently configurable areas				
Scheduling	Daily repeat timing schedule				
Imaging	JPEG snapshots for pre/trigger/post alarm images				
Custom Alarms	HTTP event servers for setting customized alarm actions				
Email/FTP Messaging	Automatic transfer of stored images via email or FTP as event-triggered actions				
Pre-Alarm Buffer	12 MB video buffer for JPEG snapshot images				
<b>Software Requirements</b>					
Memory Size	1 GB				
Operating System	Windows 7 or above				
Browser	Internet Explorer 9.x or above				
Multimedia	DirectX 9.0C or above				

## Physical Characteristics

Housing	IP66 rain and dust protection Metal housing, PC dome cover IK10 vandal resistant protection
Dimensions	125 x 125 x 120.7 mm (4.92 x 4.92 x 4.8 in)
Weight	870 g (1.92 lb)
Installation	Panel mounting
Protection	-CT models: PCB conformal coating

## Environmental Limits

Operating Temperature	Standard Models: -25 to 55°C (-13 to 131°F) Wide Temp. Models: -40 to 70°C (-40 to 158°F)
Storage Temperature (package included)	-40 to 85°C (-40 to 185°F)
Ambient Relative Humidity	5 to 95% (non-condensing)
Ingress Protection	IEC 60529, IP66
Salt Spray Test	ASTM-B117
Vandal Resistance	EN 62262, IK10
Altitude	2000 m

## Standards and Certifications

EMI	CISPR 32, FCC Part 15B Class A
EMS	IEC 61000-4-2 ESD: Contact: 6 kV; Air: 8 kV IEC 61000-4-3 RS: 80 MHz to 1 GHz: 20 V/m IEC 61000-4-4 EFT: Power: 2 kV; Signal: 2 kV IEC 61000-4-5 Surge: Power: 2 kV; Signal: 1 kV IEC 61000-4-6 CS: 10 V IEC 61000-4-8 PFMF
Freefall	IEC 60068-2-31
Railway Fire Protection	EN 45545-2
Safety	UL 60950-1
Shock	IEC 60068-2-27, IEC 61373, EN 50155
Vibration	IEC 60068-2-64, IEC 61373, EN 50155
Railway	EN 50155 (complies with a portion of EN 50155 specifications)

## MTBF

Time	1,052,184 hrs
Standards	Telcordia SR332

## Warranty

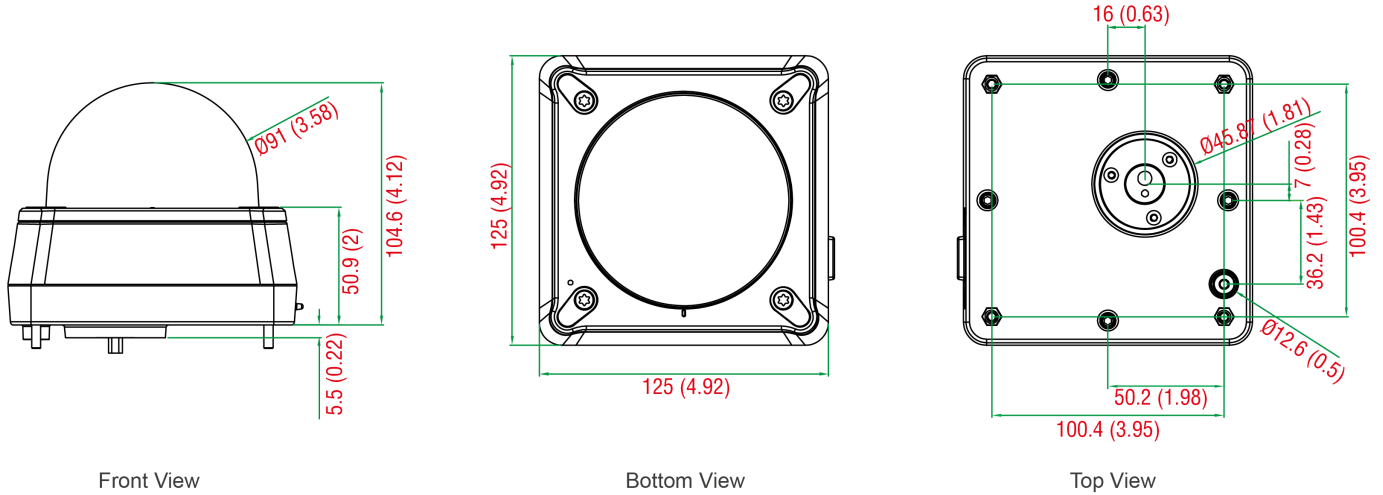
Warranty Period	5 years Note: Limited warranty on moving parts; see Moxa's online warranty policy for details.
Details	See <a href="http://www.moxa.com/tw/warranty">www.moxa.com/tw/warranty</a>

## Package Contents

Device	1 x VPort P16-1MP-M12-IR Series camera
Installation Kit	1 x sticker 1 x L-type Torx screwdriver 4 x indented hexagonal head tapping screws, nuts, gaskets, and spring washers
Documentation	1 x document and software CD 1 x quick installation guide 1 x warranty card

## 尺寸

單位：公釐 (英吋)



## 訂購資訊

Model Name	Lens	Operating Temp.	Conformal Coating
VPort P16-1MP-M12-IR-CAM36	3.6 mm	-25 to 55°C	-
VPort P16-1MP-M12-IR-CAM80	8.0 mm	-25 to 55°C	-
VPort P16-1MP-M12-IR-CAM36-T	3.6 mm	-40 to 70°C	-
VPort P16-1MP-M12-IR-CAM80-T	8.0 mm	-40 to 70°C	-
VPort P16-1MP-M12-IR-CAM36-CT	3.6 mm	-25 to 55°C	P
VPort P16-1MP-M12-IR-CAM80-CT	8.0 mm	-25 to 55°C	P
VPort P16-1MP-M12-IR-CAM36-CT-T	3.6 mm	-40 to 70°C	P
VPort P16-1MP-M12-IR-CAM80-CT-T	8.0 mm	-40 to 70°C	P

## 配件 (選購)

### Camera Mounting Kits

VP-FMK1	Flush-mounting kit for the VPort P16
---------	--------------------------------------

© Moxa Inc. 版權所有. 2018 年 11 月 12 日更新。

未經 Moxa Inc. 明確書面許可，不得以任何方式複製或使用本文件及其任何部分。產品規格如有變更，恕不另行通知。請至本公司官網了解最新的產品資訊。