

VPort P16-2MR 系列

EN 50155，1080P 影像，紅外線 IP 攝影機



特色與優點

- 1/3 吋逐行掃描攝影機，30 fps 時可達到 1920 x 1080 之解析度
- 內建 IR (紅外線) 照明器和 ICR (紅外線濾光片切換器) 適用於日、夜間攝影
- 以 DNR 和 WDR 提供高畫質影像
- 可支援高達 4 組 H.264 或 MJPEG 獨立影像串流
- DynaStream™ 可優化網路效能
- CBR Pro™ 在有限頻寬傳輸更高畫質的影像
- 支援 SDXC (最高支援 2 TB SD 卡)，進行本機儲存
- 1 個內建麥克風可用於音源輸入，1 個數位輸入可用於外接感測器
- 符合 ONVIF 中標準化和互操作性

認證



簡介

堅固耐用的 VPort P16-2MR 攝影機可錄置 Full HD (1920 x 1080) 視訊影像，擁有 4 組 H.264/MJPEG 視訊串流，它多樣的功能及堅固性，使其適合安裝於各種不同的環境中，以達到行動 IP 視訊監控應用的需求。此外，此系列攝影機符合防爆等級 (EN 62262 Ik8)、提供 -25 到 55°C 或是 -40 到 70°C (T 型號) 的操作溫度範圍、堅固耐用的 M12 乙太網路連接埠、PoE 電源輸入、內建麥克風、數位輸入、IP66 防雨防塵等級、和紅外線照明，滿足日夜間影像錄製需求。並且符合 EN 50155 的強制要求。¹

規格

Memory

microSD Slot	SDXC
--------------	------

Input/Output Interface

Digital Input Channels	1
Digital Inputs	+13 to +30 V for state 1 -30 to +1 V for state 0 Max. input current: 8 mA
Connector	5-pin A-coded male M12 connector with 20 cm cable

Ethernet Interface

PoE Ports (10/100BaseT(X), M12 D-coded 4-pin female connector)	1
Standards	IEEE 802.3af for PoE

Ethernet Software Features

Protocols	TCP/IP, IPv4/IPv6, UDP, HTTP, RTP/RTSP, ARP, UPnP, FTP, TFTP, SMTP, NTP Client, DNS, DDNS, QoS, IGMP v3, ICMP, SNMPv1/v2c/v3, DHCP Opt66/67, HTTPS
-----------	--

1. 此產品適用於符合 EN 50155 標準所定義的所有軌道車輛應用。如需更詳細的說明，請參閱：www.moxa.com/doc/specs/EN_50155_Compliance.pdf

Security Functions

Password	User-level password protection
Filter	IP address
Encryption	HTTPS

Power Parameters

No. of Power Inputs	1
Source of Input Power	PoE (IEEE 802.3af)
Input Current	0.26 A @ 48 VDC

Camera Characteristics

Sensor	1/3-in 1080P progressive scan CMOS
Lens	VPort P16-2MR36M Series: f=3.6mm, F1.6, Diagonal 99°, Horizontal 70°, Vertical 39° VPort P16-2MR42M Series: f=4.2mm, F1.6, Diagonal 82°, Horizontal 62°, Vertical 34° VPort P16-2MR60M Series: f=6.0mm, F1.8, Diagonal 62°, Horizontal 43°, Vertical 24° VPort P16-2MR80M Series: f=8.0mm, F1.6, Diagonal 42°, Horizontal 33°, Vertical 17°
Minimum Illumination	Color: 0.2 lux, at F1.2 (Gain High, 50 IRE, 1/30 sec) B/W: 0.05 lux, at F1.2 (Gain High, 50 IRE, 1/30 sec) Note: 0 lux if IR illuminator is on
Camera Angle	Pan 350°, Tilt 65° (controlled manually)
Day & Night	Auto/Color/BW; ICR control
Synchronization	Internal
White Balance	ATW/AWB
Electronic Shutter	Auto, Fixed (1/30 to 1/25000 sec)
S/N Ratio	Maximum 50 dB (AGC off; DNR on)
ICR Control	Auto (light sensor control) or DI control
IR Illumination	IR LED illuminators, 5-meter (max.) effective distance; On/Off controlled manually (night mode) or by the light sensor
DNR (digital noise reduction)	Built-in 2D/3D DNR
WDR (wide dynamic range)	100 dB
AGC (auto gain control)	2X, 4X, 8X, 16X
Flickerless Control	Automatic, 50 Hz, 60 Hz modes
Image Rotation	Flip, Mirror, 90°, 180°, 270° rotation
Image Setting	Manual tuning with saturation, sharpness, and contrast

Video Interface

Video Compression	H.264 (ISO/IEC 14496-10) or MJPEG
Video Output	via Ethernet
Video Streams	4 independent H.264 or MJPEG video streams

Video Resolution and FPS (frames per second)	NTSC		PAL		
	Size	Max. FPS	Size	Max. FPS	
	QCIF	176 x 112	30	176 x 144	25
	CIF	352 x 240	30	352 x 288	25
	VGA	640 x 480	30	640 x 480	25
	4CIF	704 x 480	30	704 x 576	25
	Full D1	720 x 480	30	720 x 576	25
	SVGA	800 x 600	30	800 x 600	25
	HD	1280 x 720	30	1280 x 720	25
	WXGA	1280 x 800	30	1280 x 800	25
Full HD	1920 x 1080	30	1920 x 1080	25	
Video Viewing	<p>DynaStream™ support for changing the video frame rate automatically CBR Pro™ for good image quality in limited bandwidth transmissions 3 privacy mask areas provided Adjustable image size and quality Timestamp and text overlay OSD (On Screen Display) position adjustable Maximum of 5 simultaneous unicast connections, 50 multicast clients</p>				

Audio Interface

Audio Format	Mono, PCM (G.711) AAC
Audio Inputs	1 x built-in microphone

Camera Software Development

Video Standards	ONVIF Profile S
-----------------	-----------------

Camera Alarm Software Features

Intelligent Video	Camera tampering detection
Video Motion Detection	3 independently configurable areas
Shock Detection	Built-in G sensor
Scheduling	Daily repeat timing schedule
Imaging	JPEG snapshots for pre/trigger/post alarm images
Custom Alarms	HTTP event servers for setting customized alarm actions
Email/FTP Messaging	Automatic transfer of stored images via email or FTP as event-triggered actions
Pre-Alarm Buffer	50 MB video buffer for JPEG snapshot images
Video Recording	Event recordings stored on the SD card

Software Requirements

Memory Size	2 GB
Operating System	Windows 7 or above
Browser	Internet Explorer 9.x or above
Multimedia	DirectX 9.0C or above

Physical Characteristics

Housing	IP66 rain and dust protection Metal housing, PC dome cover IK8 vandal resistant protection
Dimensions	125 x 125 x 120.7 mm (4.92 x 4.92 x 4.8 in)
Weight	890 g (1.96 lb)
Installation	Panel mounting
Protection	-CT models: PCB conformal coating

Environmental Limits

Operating Temperature	Standard Models: -25 to 55°C (-13 to 131°F) Wide Temp. Models: -40 to 70°C (-40 to 158°F)
Storage Temperature (package included)	-40 to 85°C (-40 to 185°F)
Ambient Relative Humidity	5 to 95% (non-condensing)
Ingress Protection	IEC 60529, IP66
Salt Spray Test	ASTM-B117
Vandal Resistance	EN 62262, IK8
Altitude	2000 m

Standards and Certifications

EMI	CISPR 32, FCC Part 15B Class A
EMS	IEC 61000-4-2 ESD: Contact: 6 kV; Air: 8 kV IEC 61000-4-3 RS: 80 MHz to 1 GHz: 20 V/m IEC 61000-4-4 EFT: Power: 2 kV; Signal: 2 kV IEC 61000-4-5 Surge: Power: 2 kV; Signal: 2 kV IEC 61000-4-6 CS: 10 V IEC 61000-4-8 PFMF
Freefall	IEC 60068-2-31
Railway Fire Protection	EN 45545-2
Safety	UL 60950-1
Shock	IEC 60068-2-27, IEC 61373, EN 50155
Vibration	IEC 60068-2-64, IEC 61373, EN 50155
Railway	EN 50155 (complies with a portion of EN 50155 specifications)

MTBF

Time	997,474 hrs
Standards	Telcordia SR332

Warranty

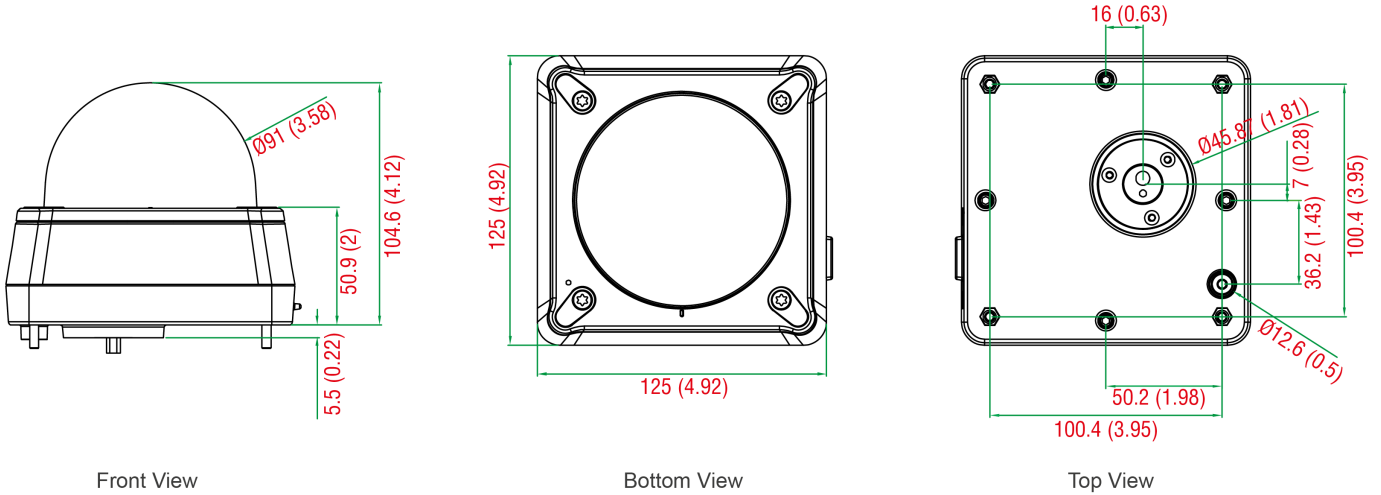
Warranty Period	5 years Note: Limited warranty on moving parts; see Moxa's online warranty policy for details.
Details	See www.moxa.com/tw/warranty

Package Contents

Device	1 x VPort P16-2MR Series camera
Installation Kit	1 x sticker 1 x L-type Torx screwdriver 4 x indented hexagonal head tapping screws, nuts, gaskets, and spring washers
Documentation	1 x document and software CD 1 x quick installation guide 1 x warranty card

尺寸

單位：公釐 (英吋)



訂購資訊

Model Name	Lens	Local Storage	Operating Temp.	Conformal Coating
VPort P16-2MR36M	3.6 mm	microSD slot, SDXC interface	-25 to 55°C	-
VPort P16-2MR42M	4.2 mm	microSD slot, SDXC interface	-25 to 55°C	-
VPort P16-2MR60M	6.0 mm	microSD slot, SDXC interface	-25 to 55°C	-
VPort P16-2MR80M	8.0 mm	microSD slot, SDXC interface	-25 to 55°C	-
VPort P16-2MR36M-T	3.6 mm	microSD slot, SDXC interface	-40 to 70°C	-
VPort P16-2MR42M-T	4.2 mm	microSD slot, SDXC interface	-40 to 70°C	-
VPort P16-2MR60M-T	6.0 mm	microSD slot, SDXC interface	-40 to 70°C	-
VPort P16-2MR80M-T	8.0 mm	microSD slot, SDXC interface	-40 to 70°C	-
VPort P16-2MR36M-CT	3.6 mm	microSD slot, SDXC interface	-25 to 55°C	P
VPort P16-2MR42M-CT	4.2 mm	microSD slot, SDXC interface	-25 to 55°C	P
VPort P16-2MR60M-CT	6.0 mm	microSD slot, SDXC interface	-25 to 55°C	P
VPort P16-2MR80M-CT	8.0 mm	microSD slot, SDXC interface	-25 to 55°C	P
VPort P16-2MR36M-CT-T	3.6 mm	microSD slot, SDXC interface	-40 to 70°C	P
VPort P16-2MR42M-CT-T	4.2 mm	microSD slot, SDXC interface	-40 to 70°C	P
VPort P16-2MR60M-CT-T	6.0 mm	microSD slot, SDXC interface	-40 to 70°C	P
VPort P16-2MR80M-CT-T	8.0 mm	microSD slot, SDXC interface	-40 to 70°C	P

配件 (選購)

Camera Mounting Kits

VP-FMK1

Flush-mounting kit for the VPort P16

© Moxa Inc. 版權所有. 2019 年 12 月 30 日更新。

未經 Moxa Inc. 明確書面許可，不得以任何方式複製或使用本文件及其任何部分。產品規格如有變更，恕不另行通知。請至本公司官網了解最新的產品資訊。