

ioLogik 4000 Series

Modular remote I/O



Features and Benefits

- I/O expansion without a backplane
- Active communication with MX-AOPC UA Server
- Supports SNMP v1/v2c
- Easy configuration with Modular ioAdmin utility
- Friendly configuration via web browser
- Simplifies I/O management with MXIO library for Windows or Linux

Certifications



Introduction

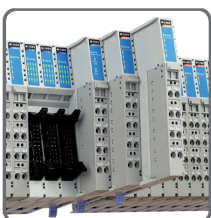
The ioLogik 4000 Series is suitable for remote monitoring and alarm systems, such as those used for water treatment systems, water supply systems, wastewater treatment systems, and power monitoring systems. These kinds of applications need more I/O points and a variety of I/O types, including temperature sensors, gas detectors, and water quality detectors, all of which can benefit from the versatile mixture of I/O features supported by the ioLogik 4000 Series.

Slice Form Factor and Flexible I/O Variety

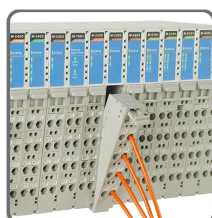
The unique modular construction of the ioLogik 4000 Series allows for mixing and matching of modules to achieve the best combination of I/O modules to meet the needs of a wide range of remote automation applications. An industrial modular housing enables I/O modules to be added to the base unit without a backplane. The ioLogik 4000 Series is perfect for space-limited applications, and high-density I/O points are provided for greater flexibility and expandability. Modules can connect to virtually any type of sensor, including but not limited to those for temperature, pressure, flow, voltage, current, and contact closure.

Easy Maintenance

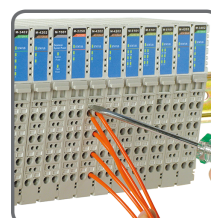
The ioLogik 4000 Series comes with removable spring-type terminal blocks (RTBs) that allow you to conserve field wiring for future use.



Slice-Type I/O Modules



Removable Terminal Block



Spring-Type Terminal Block



Module Coding Tag

Specifications

Input/Output Interface

Buttons	Reset button
---------	--------------

Control Logic

Language	Click&Go
----------	----------

Ethernet Interface

10/100BaseT(X) Ports (RJ45 connector)	2, 2 MAC addresses
---------------------------------------	--------------------

Ethernet Software Features

Configuration Options	Web Console (HTTP) Windows Utility (Modular-ioAdmin)
Industrial Protocols	Modbus TCP Server (Slave) Moxa AOPC (Active Tag) MXIO Library SNMPv1/v2c SNMPv1 Trap
Management	DHCP Client, HTTP, IPv4, TCP/IP, UDP, Modular-ioAdmin

Modbus TCP

Max. No. of Client Connections	8
Mode	Client (Master)

Power Parameters

No. of Power Inputs	1
---------------------	---

System Power Parameters

Power Connector	Spring-type Euroblock terminal
No. of Power Inputs	1
Input Voltage	11 to 28.8 VDC
Power Consumption	175 mA @ 24 VDC

Field Power Parameters

Power Connector	Spring-type Euroblock terminal
No. of Power Inputs	1
Input Voltage	11 to 28.8 VDC
Current in Field Power Contact	10 A (max.)

Physical Characteristics

Housing	Plastic
Dimensions	45 x 99 x 70 mm (1.77 x 3.90 x 2.76 in)
Weight	180 g (0.396 lb)
Installation	DIN-rail mounting

Environmental Limits

Operating Temperature	-10 to 60°C (14 to 140°F)
Storage Temperature (package included)	-40 to 85°C (-40 to 185°F)
Ambient Relative Humidity	5 to 95% (non-condensing)
Altitude	2000 m ¹

Standards and Certifications

EMC	EN 61000-6-2/-6-4
EMI	CISPR 22, FCC Part 15B Class A

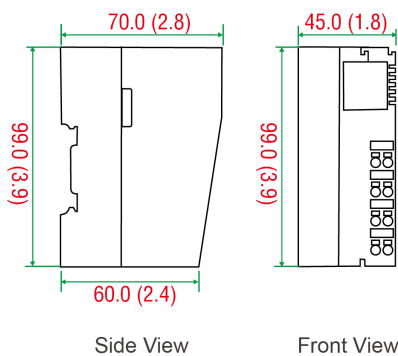
1. Please contact Moxa if you require products guaranteed to function properly at higher altitudes.

EMS	IEC 61000-4-2 ESD: Contact: 4 kV; Air: 8 kV IEC 61000-4-3 RS: 80 MHz to 1 GHz: 10 V/m IEC 61000-4-4 EFT: Power: 2 kV; Signal: 1 kV IEC 61000-4-5 Surge: Power: 2 kV; Signal: 1 kV IEC 61000-4-6 CS: 10 V IEC 61000-4-8 PFMF
Safety	UL 508
Shock	IEC 60068-2-27
Vibration	IEC 60068-2-6
Declaration	
Green Product	RoHS, CRoHS, WEEE
MTBF	
Time	357,000 hrs
Warranty	
Warranty Period	2 years
Details	See www.moxa.com/warranty
Package Contents	
Device	1 x ioLogik 4000 Series remote I/O
Installation Kit	1 x terminal block, 8-pin, 3.81 mm
Documentation	1 x quick installation guide 1 x warranty card
Note	This product requires additional modules (sold separately) to function.

Dimensions

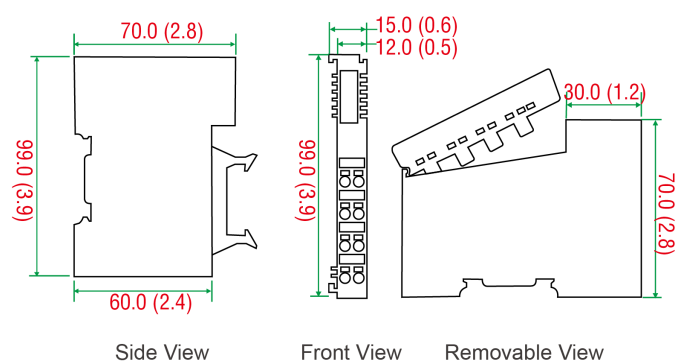
I/O Network Adapter

Unit: mm (inch)



I/O Module

Unit: mm (inch)



Ordering Information

Model Name	Control Logic	Ethernet Interface	Serial Interface	No. of I/O Modules Supported
ioLogik E4200	Click&Go	2 x RJ45	-	16

Accessories (sold separately)

I/O Modules

M-1450	For the ioLogik 4000 Series, 4 DIs, 110 VAC
M-1451	For the ioLogik 4000 Series, 4 DIs, 220 VAC
M-1600	For the ioLogik 4000 Series, 16 DIs, 24 VDC, sink type
M-1601	For the ioLogik 4000 Series, 16 DIs, 24 VDC, source type
M-1800	For the ioLogik 4000 Series, 8 DIs, 24 VDC, sink type
M-1801	For the ioLogik 4000 Series, 8 DIs, 24 VDC, source type
M-2450	For the ioLogik 4000 Series, 4 relays, 24 VDC/230 VAC, 2 A
M-2600	For the ioLogik 4000 Series, 16 DOs, 24 VDC, 0.5 A, sink type
M-2601	For the ioLogik 4000 Series, 16 DOs, 24 VDC, 0.5 A, source type
M-2800	For the ioLogik 4000 Series, 8 DOs, 24 VDC, 0.5 A, sink type
M-2801	For the ioLogik 4000 Series, 8 DOs, 24 VDC, 0.5 A, source type
M-3802	For the ioLogik 4000 Series, 8 AIs, 4 to 20 mA, 12 bits
M-3810	For the ioLogik 4000 Series, 8 AIs, 0 to 10 V, 12 bits
M-4402	For the ioLogik 4000 Series, 4 AOs, 4 to 20 mA, 12 bits
M-4410	For the ioLogik 4000 Series, 4 AOs, 0 to 10 V, 12 bits
M-6200	For the ioLogik 4000 Series, 2 AIs, RTD: PT100, JPT100
M-6201	For the ioLogik 4000 Series, 2 AIs, TC

Power Modules

M-7001	For the ioLogik 4000 Series, system power module
M-7002	For the ioLogik 4000 Series, field power module
M-7804	For the ioLogik 4000 Series, potential distributor module, 0 VDC 8 channel
M-7805	For the ioLogik 4000 Series, potential distributor module, 24 VDC, 8 channel

Software

MX-AOPC UA Server	OPC UA Server software for converting fieldbus to the OPC UA standard
-------------------	---

© Moxa Inc. All rights reserved. Updated Jan 11, 2023.

This document and any portion thereof may not be reproduced or used in any manner whatsoever without the express written permission of Moxa Inc. Product specifications subject to change without notice. Visit our website for the most up-to-date product information.