

EDS-2016-MLシリーズ

16ポートアンマネージドイーサネットスイッチ



機能とメリット

- 10/100BaseT (X) (RJ45コネクタ)、100BaseFX (マルチ/シングルモード、SCまたはSTコネクタ)
- トラフィック量が高い環境で重要なデータを処理するためにQoSをサポート
- 電源障害およびポート切断アラームのためのリレー出力警告
- IP30等級の金属製筐体
- 冗長なデュアル12/24/48 VDC電源入力
- -40～75°Cの動作温度範囲 (-Tモデル)

認証



製品紹介

産業用イーサネットスイッチのEDS-2016-MLシリーズは、最大16個の10/100M銅ポートと、SC/STコネクタタイプオプションを持つ2つの光ファイバーポートを備えており、柔軟な産業用イーサネット接続を必要とする用途に最適です。また、様々な産業用途に幅広く対応するため、EDS-2016-MLシリーズでは、ユーザーは、外部パネルのDIPスイッチを使用してQoS (Quality of Service) 機能、ブロードキャストストーム防止、およびポート切断アラーム機能を有効または無効にすることができます。

コンパクトなサイズに加え、EDS-2016-MLシリーズは、12/24/48 VDC冗長電源入力、DINレールマウント、高度なEMI/EMC性能、および-10～60°Cの動作温度範囲 (-40～75°Cの広範囲温度モデルも利用可能) を備えています。また、EDS-2016-MLシリーズは100%バーンインテストに合格しており、現場での信頼性の高い動作が保証されています。

仕様

Ethernet Interface

10/100BaseT(X) Ports (RJ45 connector)	EDS-2016-ML(-T): 16 EDS-2016-ML-MM-SC(-T): 14 EDS-2016-ML-MM-ST(-T): 14 EDS-2016-ML-SS-SC(-T): 14 Auto negotiation speed Full/Half duplex mode Auto MDI/MDI-X connection
100BaseFX Ports (multi-mode SC connector)	EDS-2016-ML-MM-SC(-T): 2
100BaseFX Ports (multi-mode ST connector)	EDS-2016-ML-MM-ST(-T): 2
100BaseFX Ports (single-mode SC connector)	EDS-2016-ML-SS-SC(-T): 2

Standards	IEEE 802.3 for 10BaseT IEEE 802.3u for 100BaseT(X) IEEE 802.3x for flow control IEEE 802.1p for Class of Service																																																													
Optical Fiber	<table border="1"> <thead> <tr> <th colspan="2" rowspan="2"></th> <th colspan="3">100BaseFX</th> </tr> <tr> <th colspan="2">Multi-Mode</th> <th>Single-Mode (40 km)</th> <th>Single-Mode (80 km)</th> </tr> <tr> <th rowspan="2">Fiber Cable Type</th> <th rowspan="2">OM1</th> <th>50/125 μm</th> <th rowspan="2">G.652</th> <th rowspan="2">G.652</th> </tr> <tr> <th>800 MHz x km</th> </tr> </thead> <tbody> <tr> <td colspan="2">Typical Distance</td> <td>4 km</td> <td>5 km</td> <td>40 km</td> <td>80 km</td> </tr> <tr> <td rowspan="3">Wavelength</td> <td>Typical (nm)</td> <td colspan="2">1300</td> <td>1310</td> <td>1550</td> </tr> <tr> <td>TX Range (nm)</td> <td colspan="2">1260 to 1360</td> <td>1280 to 1340</td> <td>1530 to 1570</td> </tr> <tr> <td>RX Range (nm)</td> <td colspan="2">1100 to 1600</td> <td>1100 to 1600</td> <td>1100 to 1600</td> </tr> <tr> <td rowspan="4">Optical Power</td> <td>TX Range (dBm)</td> <td colspan="2">-10 to -20</td> <td>0 to -5</td> <td>0 to -5</td> </tr> <tr> <td>RX Range (dBm)</td> <td colspan="2">-3 to -32</td> <td>-3 to -34</td> <td>-3 to -34</td> </tr> <tr> <td>Link Budget (dB)</td> <td colspan="2">12</td> <td>29</td> <td>29</td> </tr> <tr> <td>Dispersion Penalty (dB)</td> <td colspan="2">3</td> <td>1</td> <td>1</td> </tr> </tbody> </table> <p>Note: When connecting a single-mode fiber transceiver, we recommend using an attenuator to prevent damage caused by excessive optical power. Note: Compute the “typical distance” of a specific fiber transceiver as follows: Link budget (dB) > dispersion penalty (dB) + total link loss (dB).</p>						100BaseFX			Multi-Mode		Single-Mode (40 km)	Single-Mode (80 km)	Fiber Cable Type	OM1	50/125 μ m	G.652	G.652	800 MHz x km	Typical Distance		4 km	5 km	40 km	80 km	Wavelength	Typical (nm)	1300		1310	1550	TX Range (nm)	1260 to 1360		1280 to 1340	1530 to 1570	RX Range (nm)	1100 to 1600		1100 to 1600	1100 to 1600	Optical Power	TX Range (dBm)	-10 to -20		0 to -5	0 to -5	RX Range (dBm)	-3 to -32		-3 to -34	-3 to -34	Link Budget (dB)	12		29	29	Dispersion Penalty (dB)	3		1	1
		100BaseFX																																																												
		Multi-Mode		Single-Mode (40 km)	Single-Mode (80 km)																																																									
Fiber Cable Type	OM1	50/125 μ m	G.652	G.652																																																										
		800 MHz x km																																																												
Typical Distance		4 km	5 km	40 km	80 km																																																									
Wavelength	Typical (nm)	1300		1310	1550																																																									
	TX Range (nm)	1260 to 1360		1280 to 1340	1530 to 1570																																																									
	RX Range (nm)	1100 to 1600		1100 to 1600	1100 to 1600																																																									
Optical Power	TX Range (dBm)	-10 to -20		0 to -5	0 to -5																																																									
	RX Range (dBm)	-3 to -32		-3 to -34	-3 to -34																																																									
	Link Budget (dB)	12		29	29																																																									
	Dispersion Penalty (dB)	3		1	1																																																									

DIP Switch Configuration

Ethernet Interface	Quality of Service (QoS) Broadcast storm protection Port break alarm
--------------------	--

Input/Output Interface

Alarm Contact Channels	Relay output with current carrying capacity of 1 A @ 24 VDC
------------------------	---

Switch Properties

MAC Table Size	8 K
Packet Buffer Size	2 Mbits
Processing Type	Store and Forward

Power Parameters

Connection	1 removable 6-contact terminal block(s)
Input Current	EDS-2016-ML: 0.088 A @ 24 VDC EDS-2016-ML-MM-SC: 0.149 A @ 24 VDC EDS-2016-ML-MM-ST: 0.152 A @ 24 VDC EDS-2016-ML-SS-SC: 0.163 A @ 24 VDC
Input Voltage	12/24/48 VDC Redundant dual inputs
Operating Voltage	9.6 to 60 VDC

Overload Current Protection	Supported
Reverse Polarity Protection	Supported
Physical Characteristics	
Housing	Metal
IP Rating	IP30
Dimensions	Non-fiber models: 36 x 135 x 95 mm (1.41 x 5.31 x 3.74 in) Fiber models: 58 x 135 x 95 mm (2.28 x 5.31 x 3.74 in)
Weight	Non-fiber models: 486 g (1.07 lb) Fiber models: 648 g (1.43 lb)
Installation	DIN-rail mounting Wall mounting (with optional kit)
Environmental Limits	
Operating Temperature	Standard temp. models: -10 to 60°C (14 to 140°F) Wide temp. models: -40 to 75°C (-40 to 167°F)
Storage Temperature (package included)	-40 to 85°C (-40 to 185°F)
Ambient Relative Humidity	5 to 95% (non-condensing)
Standards and Certifications	
Safety	UL 61010-2-201 EN 62368-1(LVD)
EMC	EN 55032/35 EN 61000-6-2/-6-4
EMI	CISPR 32, FCC Part 15B Class A
EMS	IEC 61000-4-2 ESD: Contact: 6 kV; Air: 8 kV IEC 61000-4-3 RS: 80 MHz to 1 MHz: 20 V/m IEC 61000-4-4 EFT: Power: 2 kV; Signal: 2 kV IEC 61000-4-5 Surge: Power: 2 kV; Signal: 2 kV IEC 61000-4-6 CS: 10 V IEC 61000-4-8 PFMF
Hazardous Locations	Class I Division 2 ATEX IECEX
Railway	EN 50121-4
Traffic Control	NEMA TS2
Vibration	IEC 60068-2-6
Shock	IEC 60068-2-27
Freefall	IEC 60068-2-32
Maritime	DNV LR ABS NK
MTBF	
Time	Non-fiber models: 2,523,953 hrs Fiber models: 2,070,826 hrs
Standards	Telcordia (Bellcore), GB

Warranty

Warranty Period	5 years
Details	See www.moxa.com/jp/warranty

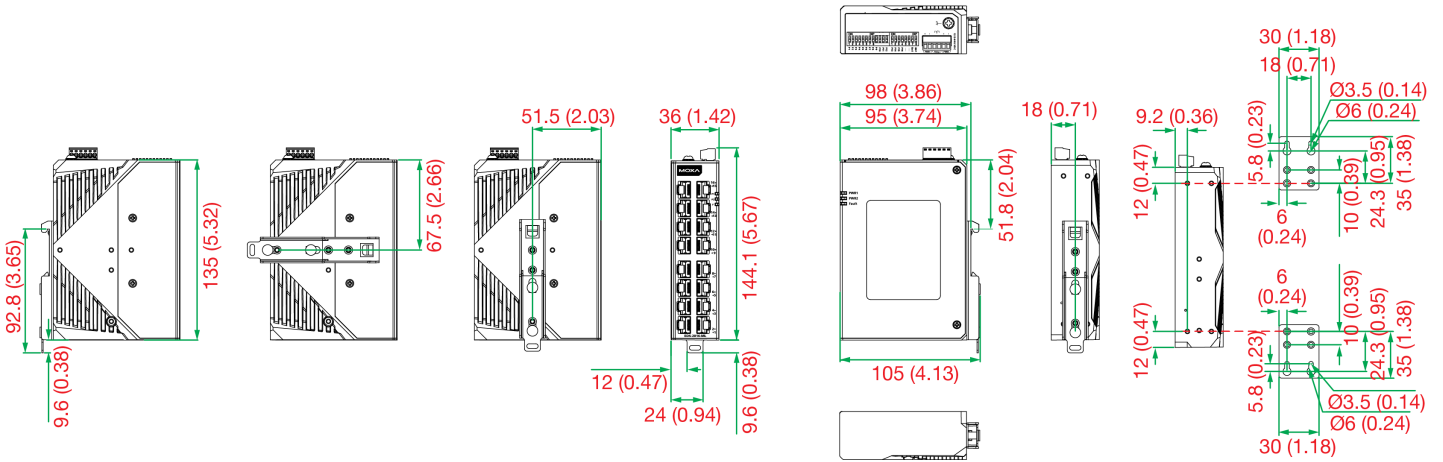
Package Contents

Device	1 x EDS-2016-ML Series switch
Installation Kit	4 x cap, plastic, for RJ45 port
Documentation	1 x quick installation guide 1 x warranty card

寸法

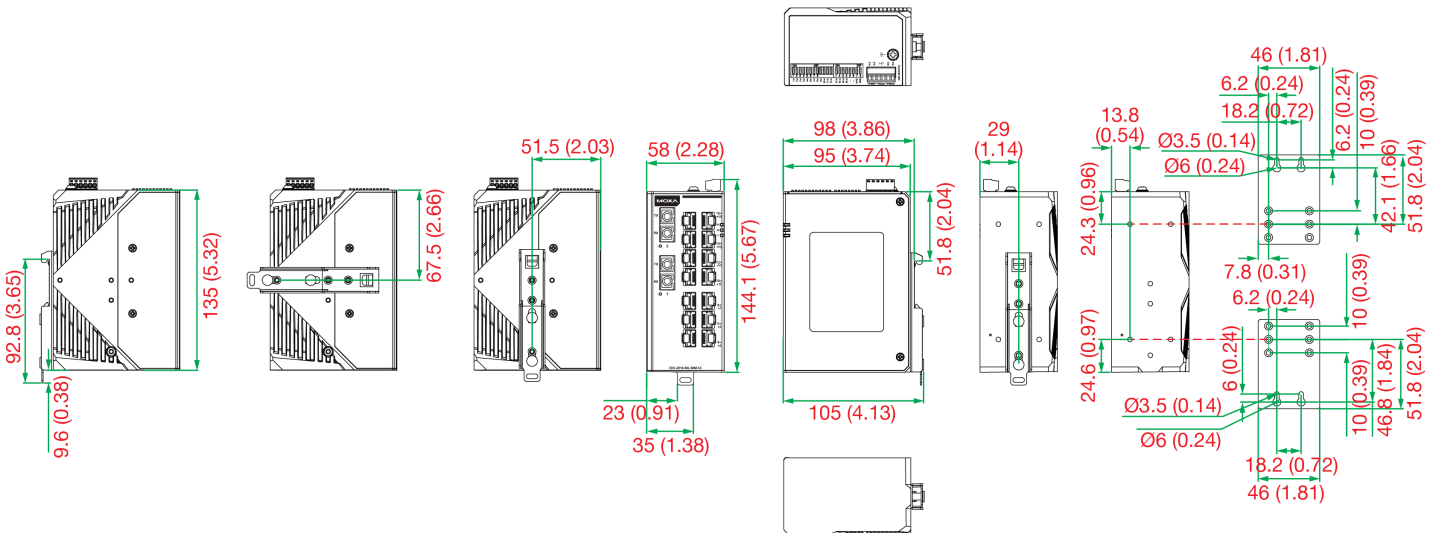
EDS-2016-ML銅パシリース

単位: mm (インチ)



EDS-2016-MLファイバシリース

単位: mm (インチ)



注文情報

Model Name	10/100BaseT(X) Ports, RJ45 Connector	100BaseFX Ports Multi-mode, SC Connector	100BaseFX Ports Multi-mode, ST Connector	100BaseFX Ports Single-mode, SC Connector	Operating Temp.
EDS-2016-ML	16	-	-	-	-10 to 60°C
EDS-2016-ML-T	16	-	-	-	-40 to 75°C
EDS-2016-ML-MM-SC	14	2	-	-	-10 to 60°C
EDS-2016-ML-MM-SC-T	14	2	-	-	-40 to 75°C
EDS-2016-ML-MM-ST	14	-	2	-	-10 to 60°C
EDS-2016-ML-MM-ST-T	14	-	2	-	-40 to 75°C
EDS-2016-ML-SS-SC	14	-	-	2	-10 to 60°C
EDS-2016-ML-SS-SC-T	14	-	-	2	-40 to 75°C

アクセサリ（別売）

Power Supplies

MDR-40-24	DIN-rail 24 VDC power supply with 40W/1.7A, 85 to 264 VAC, or 120 to 370 VDC input, -20 to 70°C operating temperature
MDR-60-24	DIN-rail 24 VDC power supply with 60W/2.5A, 85 to 264 VAC, or 120 to 370 VDC input, -20 to 70°C operating temperature
HDR-60-24	60 W/2.5 A DIN-rail 24 VDC power supply, universal 85 to 264 VAC or 120 to 370 VDC input voltage, -30 to 70°C operating temperature
NDR-120-24	120 W/5.0 A DIN-rail 24 VDC power supply, universal 90 to 264 VAC or 127 to 370 VDC input voltage, -20 to 70°C operating temperature
NDR-120-48	120 W/2.5 A DIN-rail 48 VDC power supply, universal 90 to 264 VAC or 127 to 370 VDC input voltage, -20 to 70°C operating temperature
NDR-240-48	240 W/5.0 A DIN-rail 48 VDC power supply, universal 90 to 264 VAC or 127 to 370 VDC input voltage, -20 to 70°C operating temperature

Wall-Mounting Kits

WK-30-02	Wall-mounting kit, 2 plates, 4 screws, 30 x 66.8 x 2 mm Applicable Models: EDS-2016-ML EDS-2016-ML-T
WK-46-01	Wall-mounting kit, 2 plates, 8 screws, 46 x 66.8 x 2 mm Applicable Models: EDS-2016-ML-MM-SC EDS-2016-ML-MM-SC-T EDS-2016-ML-MM-ST EDS-2016-ML-MM-ST-T EDS-2016-ML-SS-SC EDS-2016-ML-SS-SC-T

Rack-Mounting Kits

RK-4U	19-inch rack-mounting kit
-------	---------------------------

© Moxa Inc. All rights reserved. 2025年8月26日更新。

Moxa Inc.の明白な許可を written で取得しない限り、本書およびその一部の複製や使用はいかなる方法やいかなる場合でも許可されません。製品の仕様は予告なく変更されることがあります。最新の製品情報については当社のWebサイトをご覧ください。