

# DRP-A100 系列

配備有 Elkhart Lake Intel Atom® X 系列處理器基礎型號和高介面型號的 DIN 導軌電腦



## 特色與優點

- 採用無風扇設計的 DIN 導軌安裝電腦
- Intel Atom® x6211E 雙核心 1.30 GHz 或 x6425E 四核心 2.0 GHz 處理器
- 豐富介面選項，最多 8 個串列埠和 10 個 LAN 連接埠
- 精巧型尺寸，適合多數的現場應用
- -30°C 至 60°C 操作溫度範圍

## 認證



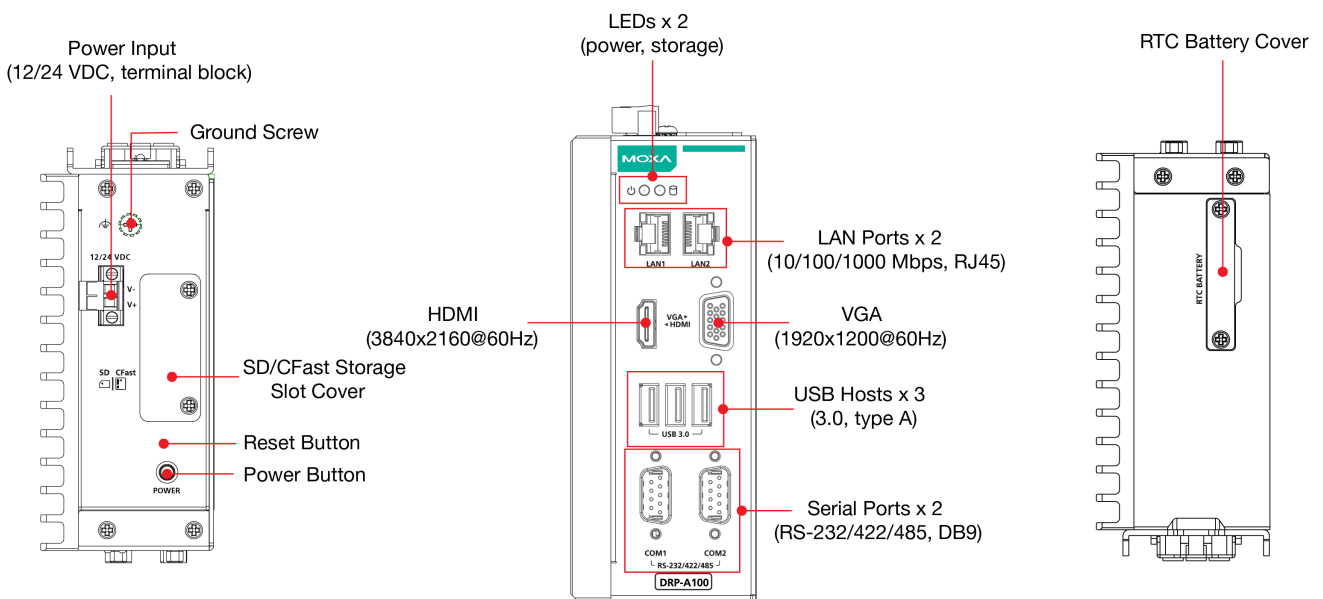
## 簡介

DRP-A100 系列 DIN 導軌安裝電腦由 Intel Atom® x6211E 雙核心 1.30 GHz 或 Intel Atom® x6425E 四核心 2.0 GHz 處理器供電。此電腦配備有豐富的介面選項，包括多達 8 種軟體可選的 RS-232/422/485 序列埠，以及多達 10 個千兆位元以太网網路連接埠。通訊介面位於產品的正面和背面，方便工業應用的存取和擴充。包含 CFAST 和 SD 插槽的雙儲存設計可輕鬆實現儲存擴充。獨特的電池扣蓋可固定電池定位，並確保在所有操作環境下的穩定性，而電池槽的活板設計可輕鬆更換電池，且無需拆蓋。DRP-A100 系列是一款可靠、耐用、多功能且友善使用者的工業應用運算平台。

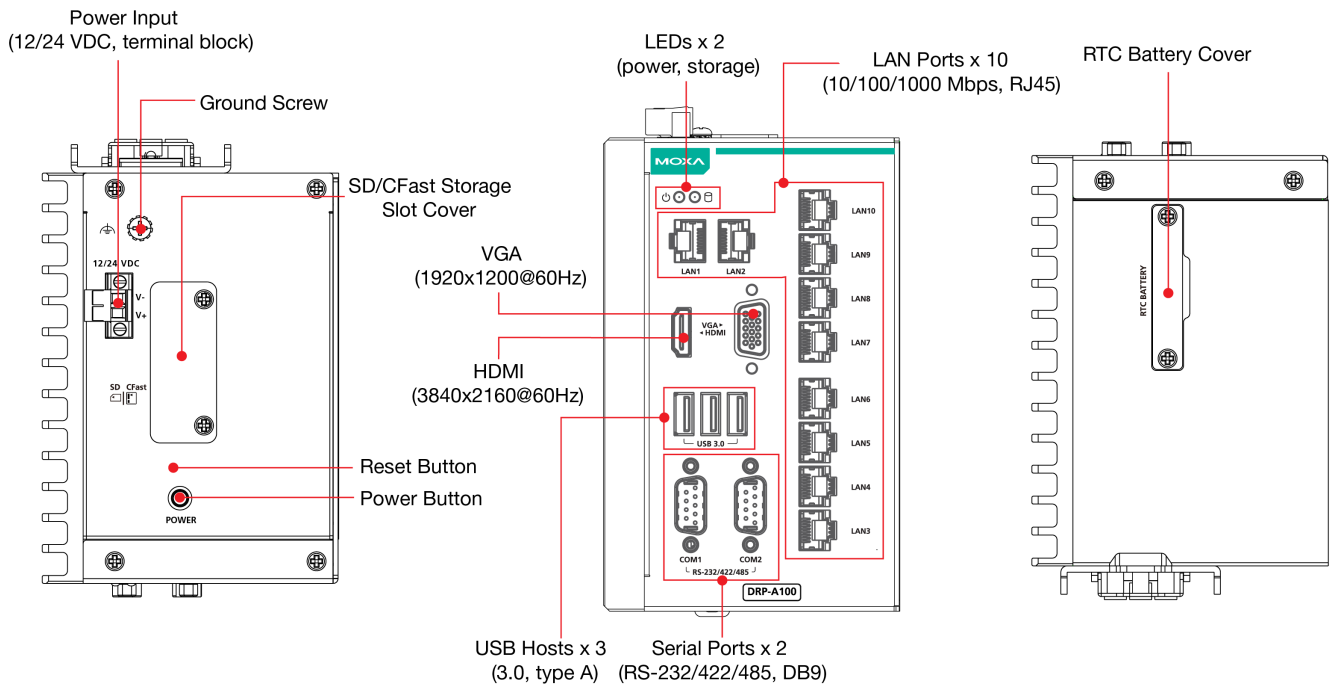
DRP-A100 精巧型電腦採用無風扇設計，可承受 -30 至 60°C 的溫度範圍，非常適合惡劣的操作環境。內建 TPM 2.0 模組可確保平台免受未經授權的存取。DRP-A100 系列是一款智慧運算解決方案，可完美滿足工業環境的 OT 和 IT 雙需求。

## 外觀

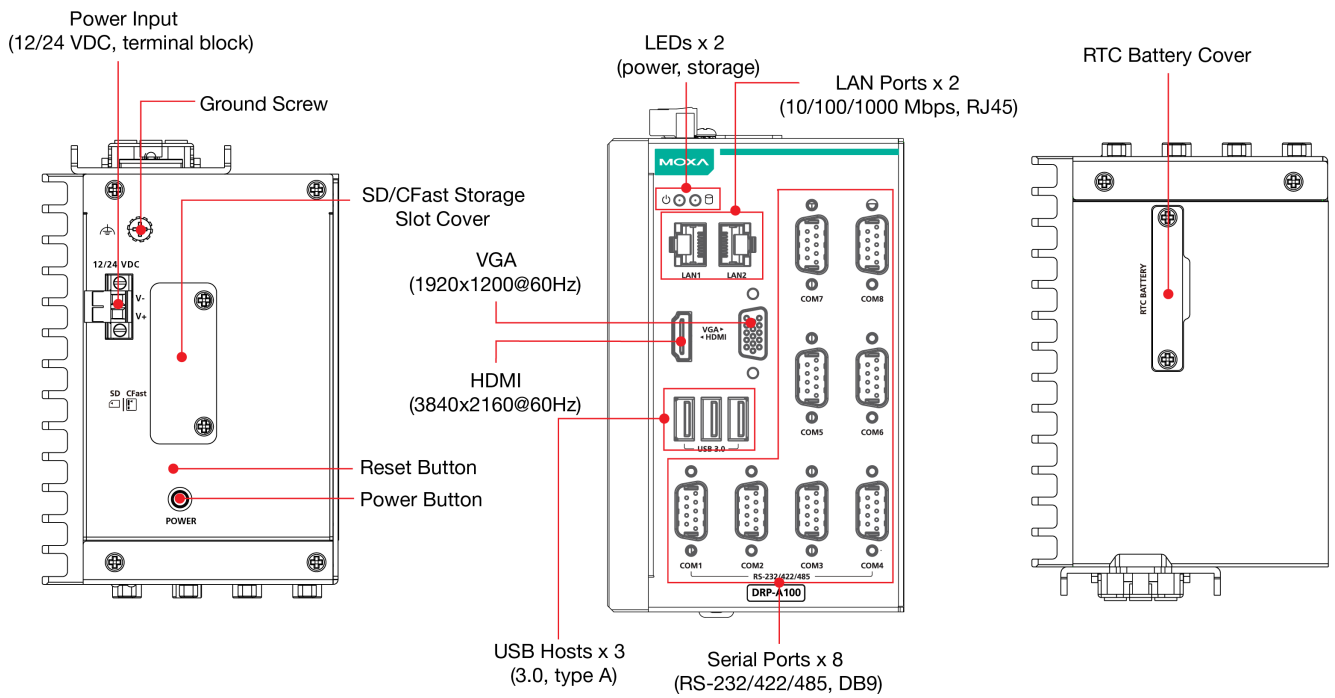
DRP-A100-E2-T/DRP-A100-E4-T/DRP-A100-E2-T-Win10/DRP-A100-E4-T-Win10 型號



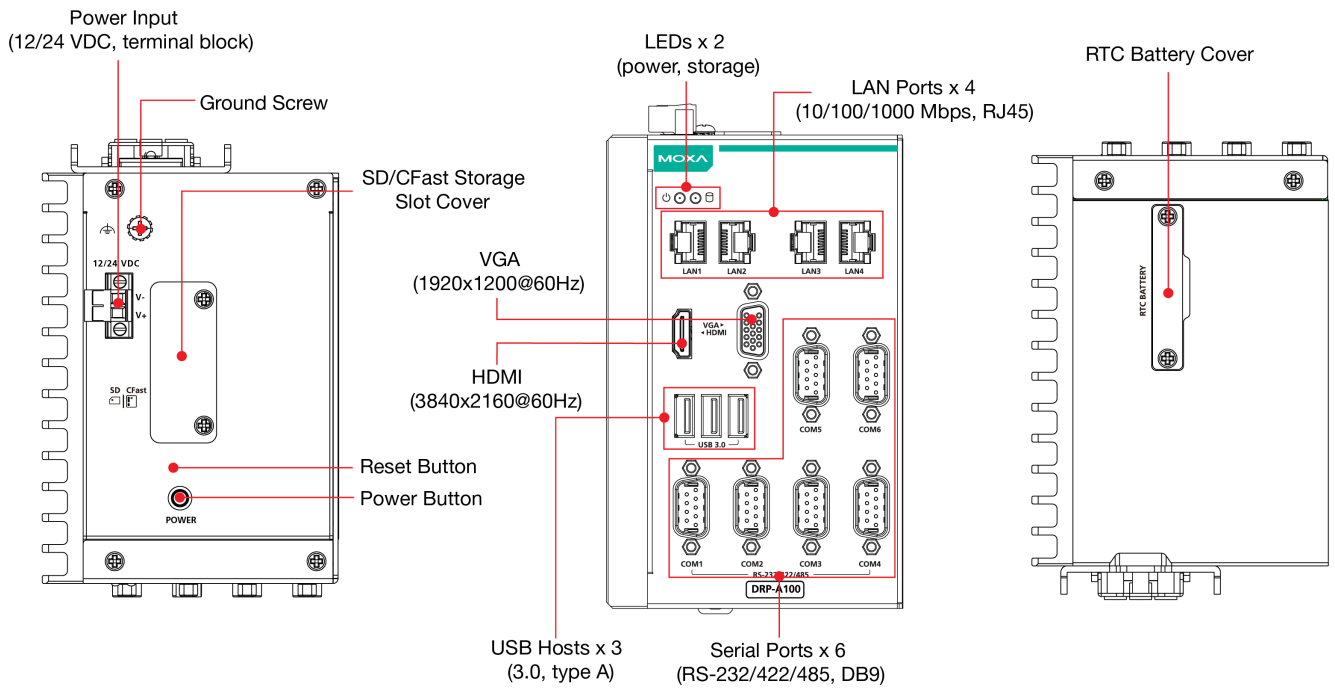
**DRP-A100-E2-8L-T/DRP-A100-E4-8L-T 型號**



**DRP-A100-E2-6C-T/DRP-A100-E4-6C-T 型號**



## DRP-A100-E2-2L4C-T/DRP-A100-E4-2L4C-T 型號



## 規格

### Computer

CPU	DRP-A100-E2 Models: Intel Atom® x6211E Processor (Dual core, 1.5M Cache, 1.30 GHz) DRP-A100-E4 Models: Intel Atom® x6425E Processor (Quad core, 1.5M Cache, 2.00 GHz)
System Memory Slot	SODIMM DDR4 slots x 1, up to 32 GB max.
System Memory Pre-installed	8 GB DDR4
Storage Slot	CFast slot x 1 (SATAIII interface) SD slots x 1, SD 3.0 interface (SDHC/SDXC)
Storage Pre-installed	DRP-A100-E2-T-Win10: 64-GB CFast card DRP-A100-E4-T-Win10: 64-GB CFast card
Supported OS	Windows Images and Drivers Supported: - Windows 10 IoT Ent LTSC 2021 64-bit - Windows 11 Professional 64-bit  Linux Drivers Supported: - Debian 11 (Kernel 5.10) - Ubuntu 22.04 LTS (Kernel 5.15) - RHEL 9 (Kernel 5.14)
Graphics Controller	Intel® UHD Graphics

### Computer Interface

Ethernet Ports	DRP-A100-E2-T/E2-T-Win10/E2-6C-T/E4-T/E4-T-Win10/E4-6C-T: Auto-sensing 10/100/1000 Mbps ports (RJ45 connector) x 2 DRP-A100-E2-2L4C-T/E4-2L4C-T: Auto-sensing 10/100/1000 Mbps ports (RJ45 connector) x 4 DRP-A100-E2-8L-T/E4-8L-T: Auto-sensing 10/100/1000 Mbps ports (RJ45 connector) x 10
Serial Ports	DRP-A100-E2-T/E2-T-Win10/E2-8L-T/E4-T/E4-T-Win10/E4-8L-T: RS-232/422/485 ports x 2, software selectable (DB9 male) x 2 DRP-A100-E2-2L4C-T/E4-2L4C-T:

	RS-232/422/485 ports x 6, software selectable (DB9 male) x 6 DRP-A100-E2-6C-T/E4-6C-T: RS-232/422/485 ports x 8, software selectable (DB9 male) x 8
USB 3.0	USB 3.0 hosts x 3, type-A connectors
TPM	TPM v2.0
Video Output	HDMI 2.0b x 1, (type A connector) VGA x 1, 15-pin D-sub connector (female)
Buttons	Reset button Power button

#### Ethernet Interface

Magnetic Isolation Protection	1.5 kV (built-in)
-------------------------------	-------------------

#### Serial Interface

Baudrate	50 bps to 115.2 kbps
Connector	DB9 male
Data Bits	5, 6, 7, 8
Parity	None, Even, Odd, Space, Mark
Stop Bits	1, 1.5, 2
Flow Control	RTS/CTS, XON/XOFF

#### Serial Signals

RS-232	TxD, RxD, RTS, CTS, DTR, DSR, DCD, GND
RS-422	Tx+, Tx-, Rx+, Rx-, GND
RS-485-2w	Data+, Data-, GND
RS-485-4w	Tx+, Tx-, Rx+, Rx-, GND

#### LED Indicators

System	Power x 1 Storage x 1
LAN	2 per port (10/100/1000 Mbps)

#### Power Parameters

Input Voltage	12/24 VDC
Power Connector	Screw-fastened Euroblock terminal
Power Consumption	50 W

#### Physical Characteristics

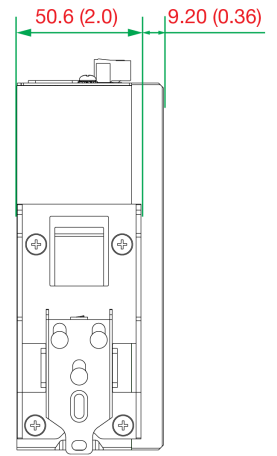
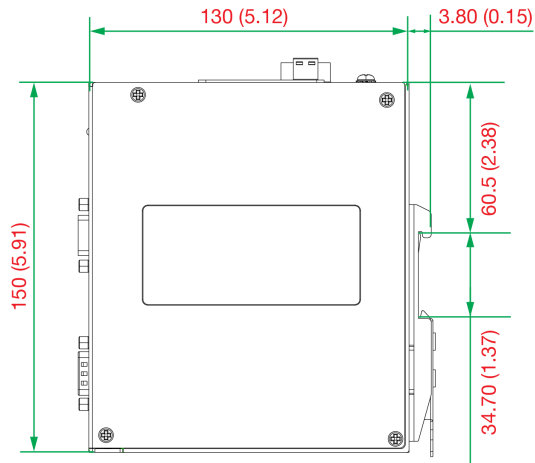
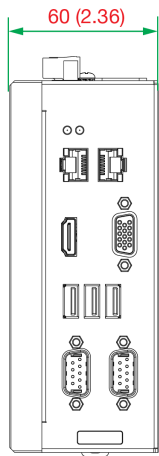
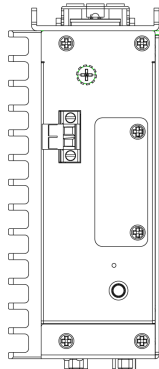
Housing	Metal
IP Rating	IP20
Dimensions	DRP-A100-E2-T/E2-T-Win10/E4-T/E4-T-Win10: 60 x 130 x 150 mm (2.36 x 5.12 x 5.91 in) DRP-A100-E2-8L-T/E2-6C-T/E2-2L4C-T/E4-8L-T/E4-6C-T/E4-2L4C-T: 94 x 130 x 150 mm (3.70 x 5.12 x 5.91 in)

Weight	DRP-A100-E2-T/E2-T-Win10/E4-T/E4-T-Win10: 1,213 g (2.67 lb) DRP-A100-E2-8L-T/E2-6C-T/E2-2L4C-T/E4-8L-T/E4-6C-T/E4-2L4C-T: 1.612 g (3.55 lb)
Installation	DIN-rail mounting
<b>Declaration</b>	
Green Product	RoHS, CRoHS, WEEE
<b>Environmental Limits</b>	
Operating Temperature	-30 to 60°C (-22 to 140°F)
Storage Temperature	-40 to 75°C (-40 to 167°F)
Ambient Relative Humidity	5 to 95% (non-condensing)
<b>Standards and Certifications</b>	
EMC	EN 55032/35
EMI	CISPR 32, FCC Part 15B Class A
EMS	IEC 61000-4-2 ESD: Contact: 4 kV; Air: 8 kV IEC 61000-4-3 RS: 80 MHz to 1 GHz: 3 V/m IEC 61000-4-4 EFT: Power: 0.5 kV; Signal: 0.5 kV IEC 61000-4-5 Surge: Power: 0.5 kV, Signal: 1 kV IEC 61000-4-6 CS: 3 V IEC 61000-4-8 PFMF: 1 A/m at 50 to 60 Hz
Safety	UL 62368-1 (CB) BSMI
Shock	IEC 60068-2-27
Vibration	IEC 60068-2-64
Package Drop Test	ISTA 1A
Package Vibration Test	ISTA 1A
<b>Reliability</b>	
Time Source	Built-in RTC (real-time clock) with lithium-battery backup
Automatic Reboot Trigger	Built-in WDT
<b>MTBF</b>	
Time	566,300 hrs
Standards	Telcordia (Bellcore), GB
<b>Warranty</b>	
Warranty Period	3 years
Details	See <a href="http://www.moxa.com/tw/warranty">www.moxa.com/tw/warranty</a>
<b>Package Contents</b>	
Device	1 x DRP-A100 Series computer with DIN-rail ears attached
Installation Kit	1 x terminal block, 2-pin, for DC power
Documentation	1 x quick installation guide 1 x warranty card

# 尺寸

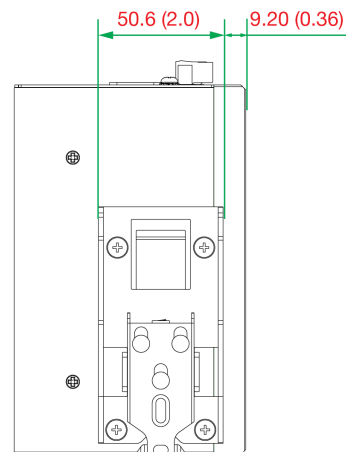
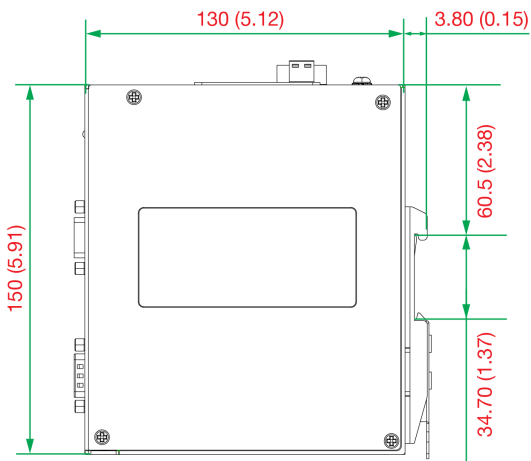
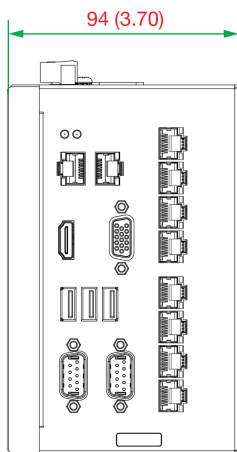
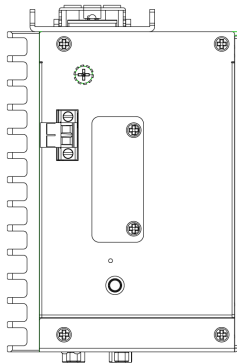
## DRP-A100-E2-T/E2-T-Win10/E4-T/E4-T-Win10

單位：公釐 (英吋)



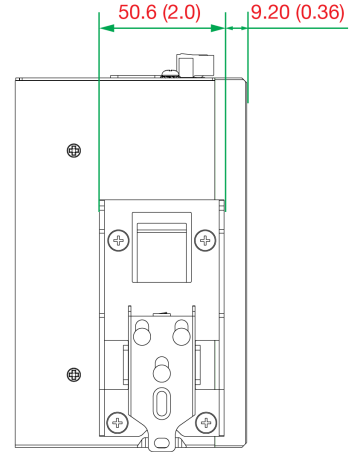
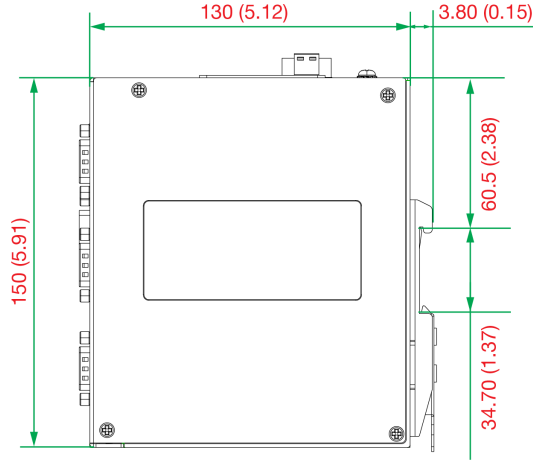
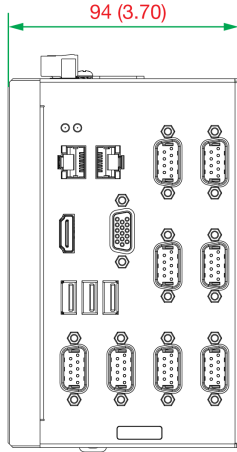
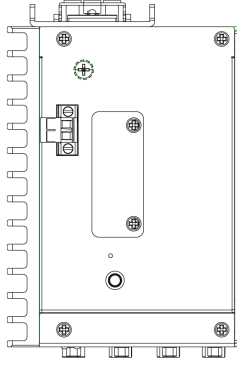
# DRP-A100-E2-8L -T/E4-8L-T

單位：公釐（英吋）



**DRP-A100-E2-6C-T/E4-6C-T**

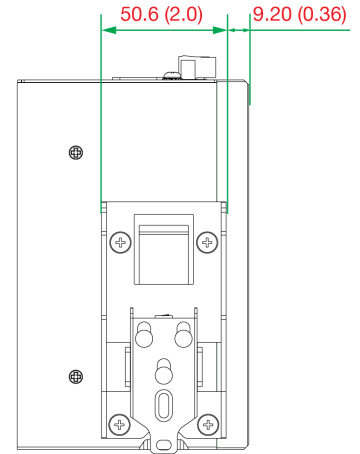
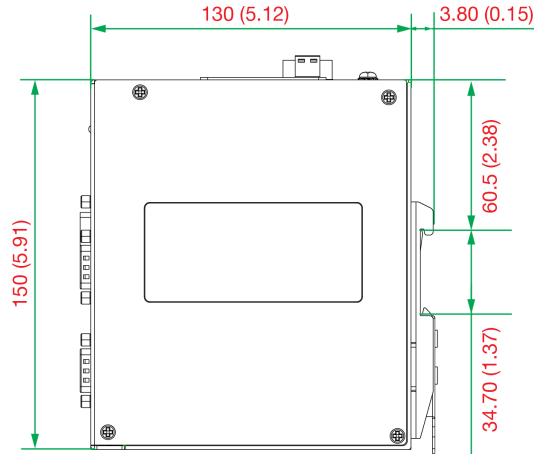
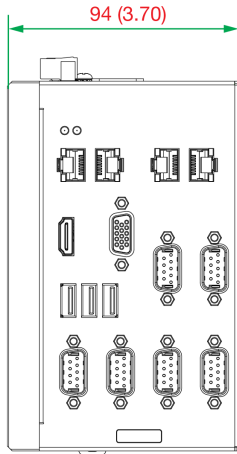
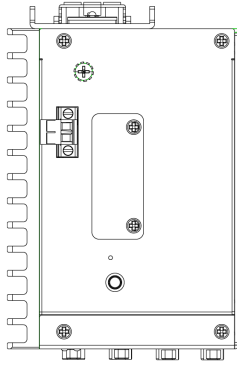
單位：公釐（英吋）





## DRP-A100-E2-2L4C-T/E4-2L4C-T

單位：公釐（英吋）



## 訂購資訊

Model Name	CPU	Memory	Storage Slots	OS Preinstalled	LAN/Serial	USB 3.0	Video Outputs	Power Input
DRP-A100-E2-T	Intel Atom® x6211E	8 GB	1 x CFast 1 x SD	-	2/2	3	1 x VGA 1 x HDMI	12/24 VDC
DRP-A100-E2-T-Win10	Intel Atom® x6211E	8 GB	1 x CFast 1 x SD	Win 10 LTSC 64-GB, CFast	2/2	3	1 x VGA 1 x HDMI	12/24 VDC
DRP-A100-E2-8L-T	Intel Atom® x6211E	8 GB	1 x CFast 1 x SD	-	10/2	3	1 x VGA 1 x HDMI	12/24 VDC
DRP-A100-E2-6C-T	Intel Atom® x6211E	8 GB	1 x CFast 1 x SD	-	2/8	3	1 x VGA 1 x HDMI	12/24 VDC
DRP-A100-E2-2L4C-T	Intel Atom® x6211E	8 GB	1 x CFast 1 x SD	-	4/6	3	1 x VGA 1 x HDMI	12/24 VDC
DRP-A100-E4-T	Intel Atom® x6425E	8 GB	1 x CFast 1 x SD	-	2/2	3	1 x VGA 1 x HDMI	12/24 VDC
DRP-A100-E4-T-Win10	Intel Atom® x6425E	8 GB	1 x CFast 1 x SD	Win 10 LTSC 64-GB CFast	2/2	3	1 x VGA 1 x HDMI	12/24 VDC
DRP-A100-E4-8L-T	Intel Atom® x6425E	8 GB	1 x CFast 1 x SD	-	10/2	3	1 x VGA 1 x HDMI	12/24 VDC
DRP-A100-E4-6C-T	Intel Atom® x6425E	8 GB	1 x CFast 1 x SD	-	2/8	3	1 x VGA 1 x HDMI	12/24 VDC
DRP-A100-E4-2L4C-T	Intel Atom® x6425E	8 GB	1 x CFast 1 x SD	-	4/6	3	1 x VGA 1 x HDMI	12/24 VDC

© Moxa Inc. 版權所有.2023 年 11 月 29 日更新。

未經 Moxa Inc. 明確書面許可，不得以任何方式複製或使用本文件及其任何部分。產品規格如有變更，恕不另行通知。請至本公司官網了解最新的產品資訊。