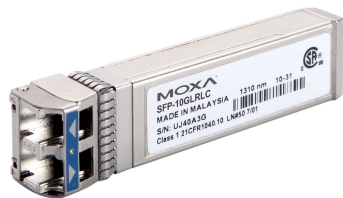


SFP-10G 系列

1 埠 10 Gigabit 乙太網路 SFP+ 模組



特色與優點

- 數位診斷監控功能
- 符合 IEEE 802.3ae 標準
- 符合 SFF-8432 SFP+ MSA 標準
- 可熱插拔的 LC 雙工連接器
- 符合 Class 1 Laser 國際安全標準 IEC 60825-1
- 符合 RoHS 標準

認證



簡介

SFP-10G 系列 1 埠 10 Gigabit 乙太網路 SFP 模組可作為部分 Moxa 交換器的選配配件。

規格

Ethernet Interface

Connectors	Duplex LC connector									
Optical Fiber	10G Ethernet SFP									
		SFP-SR				SFP-LR	SFP-ER	SFP-ZR		
	Transceiver Type	Multi-mode				Single-mode	Single-mode	Single-mode		
	Fiber Cable Type	OM1	OM2	OM3	OM4	G.652	G.652	G.652		
	Typical Distance	33 m	82 m	300 m	400 m	10 km	40 km	80 km		
	Wave-length	Typical (nm)	850				1310	1550	1550	
		TX Range (nm)	840 to 860				1260 to 1355	1530 to 1565	1530 to 1565	
		RX Range (nm)	840 to 860				1260 to 1355	1530 to 1565	1530 to 1565	
	Optical Power	TX Range (dBm)	-1 to -5				-8.2 to +0.5	-1 to +2	0 to +4	
		Max. Rx (dBm)	+0.5				+0.5	-1	-7	
		Link Budget (dB)	8.3				7.4	15	23	
		Dispersion Penalty (dB)	3.9				3.2	3	3	
	<p>Note: When connecting the SFP-ER or SFP-ZR, we recommend using an attenuator to prevent damage caused by excessive optical power.</p> <p>Typical Distance: To reach the typical distance of specified fiber transceiver, please refer to formula: Link budget(dB) > dispersion penalty(dB) + total link loss(dB)</p>									

Power Parameters

Power Consumption	<p>SFP-10GSRLC: Max. 1.5 W</p> <p>SFP-10GLRLC: Max. 1.5 W</p> <p>SFP-10GERLC: Max. 1.5 W</p> <p>SFP-10GSRLC-T: Max. 1 W</p> <p>SFP-10GLRLC-T: Max. 1 W</p> <p>SFP-10GERLC-T: Max. 2.2 W</p> <p>SFP-10GZRLC-T: Max. 2.5 W</p>
-------------------	--

Environmental Limits

Operating Temperature	<p>Standard Models: 0 to 60°C (32 to 176°F)</p> <p>Wide Temp. Models: -40 to 85°C (-40 to 185°F)</p> <p>Note: When the SFP-10GERLC is used with the ICS-G7750A/G7752A/G7850A/G7852A series, the operating temperature is 0 to 55°C (32 to 131°F)</p> <p>Note: Wide temperature SFP-10G can be used with ICS-G7526A/G7528A/G7826A/G7828A series only. When the SFP-10GZRLC-T used, the operating temperature is -40 to 60°C (-40 to 176°F)</p>
Storage Temperature (package included)	-40 to 85°C (-40 to 185°F)
Ambient Relative Humidity	5 to 95% (non-condensing)

Standards and Certifications

Safety	Standard Models: CE, FCC, TÜV, UL 60950-1, Wide Temp. Models: CE, FCC, IEC 60825-1, UL 62368-1, IEC 62368-1, EN 62368-1
--------	---

Warranty

Warranty Period	5 years
Details	See www.moxa.com/tw/warranty

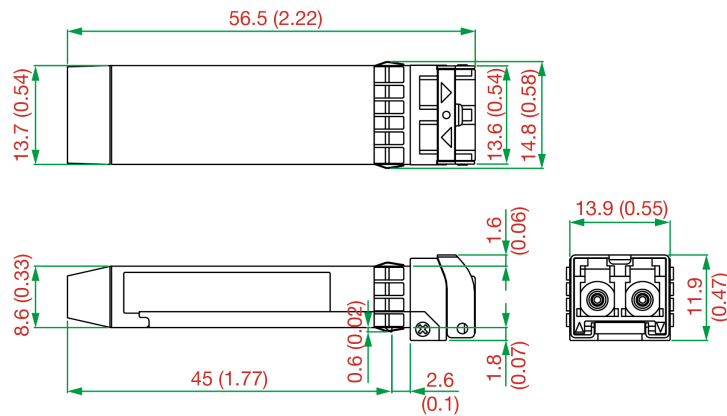
Package Contents

Device	1 x SFP-10G Series module
Documentation	1 x warranty card

尺寸

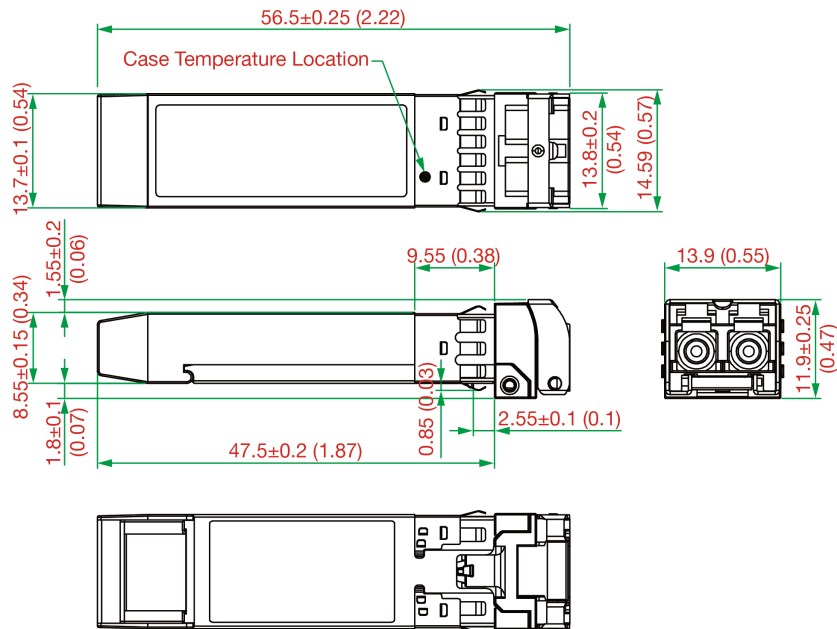
SFP-10G 系列標準溫度型號

單位：公釐（英吋）



SFP-10G 系列寬溫度型號

單位：公釐（英吋）



訂購資訊

Model Name	Ports	Connector	Transmission Distance	Operating Temp.
SFP-10GSRLC	1 x 10GBase-SR, multi-mode	LC	33 m/300 m	0 to 60°C
SFP-10GSRLC-T	1 x 10GBase-SR, multi-mode	LC	33 m/82 m/300 m/400 m	-40 to 85°C

Model Name	Ports	Connector	Transmission Distance	Operating Temp.
SFP-10GLRLC	1 x 10GBase-LR, single-mode	LC	10 km	0 to 60°C
SFP-10GLRLC-T	1 x 10GBase-LR, single-mode	LC	10 km	-40 to 85°C
SFP-10GERLC	1 x 10GBase-ER, single-mode	LC	40 km	0 to 60°C
SFP-10GERLC-T	1 x 10GBase-ER, single-mode	LC	40 km	-40 to 85°C
SFP-10GZRLC-T	1 x 10GBase-ZR, single-mode	LC	80 km	-40 to 85°C

© Moxa Inc. 版權所有.2020 年 1 月 13 日更新。

未經 Moxa Inc. 明確書面許可，不得以任何方式複製或使用本文件及其任何部分。產品規格如有變更，恕不另行通知。請至本公司官網了解最新的產品資訊。