

# SFP-10Gシリーズ

## 1ポート10ギガビットイーサネットSFP+モジュール



### 機能とメリット

- デジタル診断監視機能
- IEEE 802.3ae準拠
- SFF-8432 SFP+ MSA準拠
- ホットプラグ可能なLCデュプレックスコネクタ
- クラス1レーザー国際安全規格IEC 60825-1準拠
- RoHS準拠

### 認証



### 製品紹介

SFP-10Gシリーズの1ポート10ギガビットイーサネットSFP+モジュールは、広範囲のMoxaスイッチに対するオプションのアクセサリとして使用できます。

## 仕様

### Ethernet Interface

Connectors	Duplex LC connector									
Optical Fiber	10G Ethernet SFP									
	SFP-SR				SFP-LR	SFP-ER	SFP-ZR			
	Transceiver Type	Multi-mode				Single-mode	Single-mode	Single-mode		
	Fiber Cable Type	OM1	OM2	OM3	OM4	G.652	G.652	G.652		
	Typical Distance	33 m	82 m	300 m	400 m	10 km	40 km	80 km		
	Wave-length	Typical (nm)	850				1310	1550	1550	
		TX Range (nm)	840 to 860				1260 to 1355	1530 to 1565	1530 to 1565	
		RX Range (nm)	840 to 860				1260 to 1355	1530 to 1565	1530 to 1565	
	Optical Power	TX Range (dBm)	-1 to -5				-8.2 to +0.5	-1 to +2	0 to +4	
		Max. Rx (dBm)	+0.5				+0.5	-1	-7	
		Link Budget (dB)	8.3				7.4	15	23	
		Dispersion Penalty (dB)	3.9				3.2	3	3	
	<p>Note: When connecting the SFP-ER or SFP-ZR, we recommend using an attenuator to prevent damage caused by excessive optical power.</p> <p>Typical Distance: To reach the typical distance of specified fiber transceiver, please refer to formula: Link budget(dB) &gt; dispersion penalty(dB) + total link loss(dB)</p>									

### Power Parameters

Power Consumption	<p>SFP-10GSRLC: Max. 1.5 W</p> <p>SFP-10GLRLC: Max. 1.5 W</p> <p>SFP-10GERLC: Max. 1.5 W</p> <p>SFP-10GSRLC-T: Max. 1 W</p> <p>SFP-10GLRLC-T: Max. 1 W</p> <p>SFP-10GERLC-T: Max. 2.2 W</p> <p>SFP-10GZRLC-T: Max. 2.5 W</p>
-------------------	--

### Environmental Limits

Operating Temperature	<p>Standard Models: 0 to 60°C (32 to 176°F)</p> <p>Wide Temp. Models: -40 to 85°C (-40 to 185°F)</p> <p>Note: When the SFP-10GERLC is used with the ICS-G7750A/G7752A/G7850A/G7852A series, the operating temperature is 0 to 55°C (32 to 131°F)</p> <p>Note: Wide temperature SFP-10G can be used with ICS-G7526A/G7528A/G7826A/G7828A series only. When the SFP-10GZRLC-T used, the operating temperature is -40 to 60°C (-40 to 176°F)</p>
Storage Temperature (package included)	-40 to 85°C (-40 to 185°F)
Ambient Relative Humidity	5 to 95% (non-condensing)

### Standards and Certifications

Safety	Standard Models: CE, FCC, TÜV, UL 60950-1, Wide Temp. Models: CE, FCC, IEC 60825-1, UL 62368-1, IEC 62368-1, EN 62368-1
--------	---

## Warranty

Warranty Period	5 years
Details	See <a href="http://www.moxa.com/jp/warranty">www.moxa.com/jp/warranty</a>

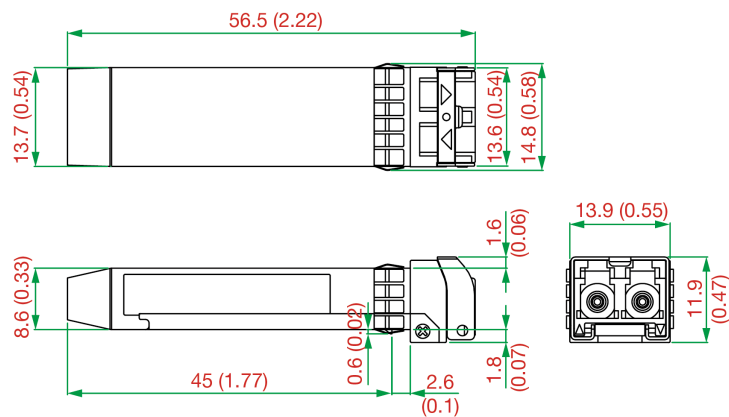
## Package Contents

Device	1 x SFP-10G Series module
Documentation	1 x warranty card

## 寸法

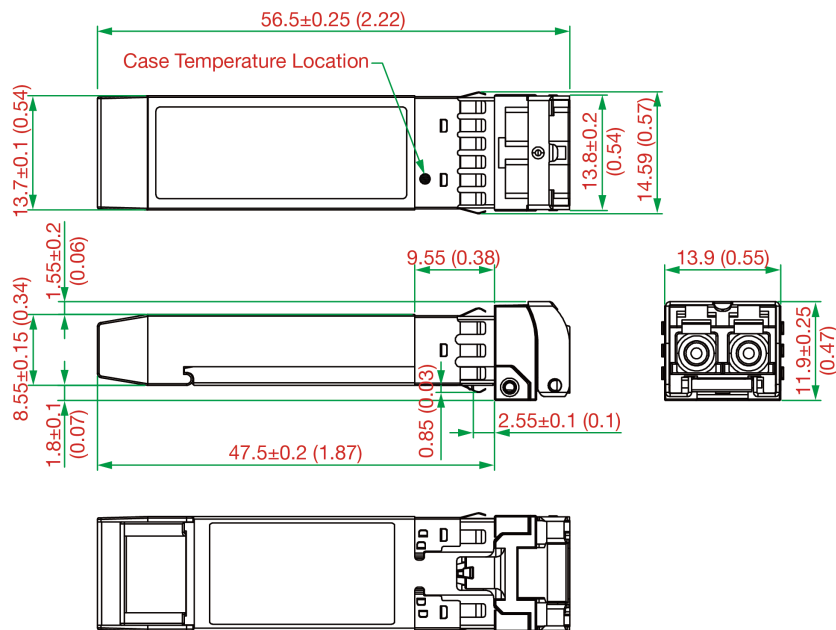
### SFP-10G Series Standard Temperature Models

単位：mm（インチ）



### SFP-10G Series Wide Temperature Models

単位：mm（インチ）



## 注文情報

Model Name	Ports	Connector	Transmission Distance	Operating Temp.
SFP-10GSRLC	1 x 10GBase-SR, multi-mode	LC	33 m/82 m/300 m/400 m	0 to 60°C
SFP-10GSRLC-T	1 x 10GBase-SR, multi-mode	LC	33 m/82 m/300 m/400 m	-40 to 85°C

Model Name	Ports	Connector	Transmission Distance	Operating Temp.
SFP-10GLRLC	1 x 10GBase-LR, single-mode	LC	10 km	0 to 60°C
SFP-10GLRLC-T	1 x 10GBase-LR, single-mode	LC	10 km	-40 to 85°C
SFP-10GERLC	1 x 10GBase-ER, single-mode	LC	40 km	0 to 60°C
SFP-10GERLC-T	1 x 10GBase-ER, single-mode	LC	40 km	-40 to 85°C
SFP-10GZRRC-T	1 x 10GBase-ZR, single-mode	LC	80 km	-40 to 85°C

© Moxa Inc. All rights reserved. 2020年4月29日更新。

Moxa Inc.の明白な許可を written で取得しない限り、本書およびその一部の複製や使用はいかなる方法やいかなる場合でも許可されません。製品の仕様は予告なく変更されることがあります。最新の製品情報については当社のWebサイトをご覧ください。