

ISD-1110-T/1130-T Series

Entry-level data line surge protectors



Features and Benefits

- Plug and play
- EN 61000-4-5 Level 4 surge protection for serial data lines
- Supports RS-232 or RS-422/485
- Compact size for easy installation
- Wide-temperature model available for -40 to 85°C environments

Introduction

The ISD-1110-T/1130-T Series provides surge protection for serial data lines to prevent damage to devices such as modems, fax machines, I/O ports, terminals, instrumentation, hubs, and any other devices that use serial data connections. The ISD-1110-T/1130-T can add serial data line protection to a variety of serial connections: RS-232, RS-422, and RS-485.

Specifications

Serial Interface

Connector	ISD-1110-T: DB9 male ISD-1130-T: Terminal block
Serial Standards	ISD-1110-T: RS-232 ISD-1130-T: RS-422, RS-485
Baudrate	50 bps to 921.6 kbps

Serial Signals

RS-232	TxD, RxD, RTS, CTS, DTR, DSR, DCD, GND
RS-422	Tx+, Tx-, Rx+, Rx-, GND
RS-485-4w	Tx+, Tx-, Rx+, Rx-, GND
RS-485-2w	Data+, Data-, GND

Physical Characteristics

Housing	Plastic
IP Rating	IP30
Dimensions	53 x 37 x 20.6 mm (2.01 x 1.46 x 0.81 in)
Weight	ISD-1110-T: Packaged: 119 g (0.26 lb) ISD-1130-T: Packaged: 96 g (0.21 lb) ISD-1110-T: Product only: 58 g (0.13 lb) ISD-1130-T: Product only: 30 g (0.07 lb)
Installation	Desktop

Environmental Limits

Operating Temperature	-40 to 85°C (-40 to 185°F)
Storage Temperature (package included)	-40 to 85°C (-40 to 185°F)
Ambient Relative Humidity	5 to 95% (non-condensing)

Standards and Certifications

EMS	IEC 61000-4-5 Surge: Signal: 4 kV
Environmental Testing	IEC 60068-2-1 IEC 60068-2-2 IEC 60068-2-3
Safety	EN 60950-1, IEC 60950-1
Vibration	IEC 60068-2-6

MTBF

Time	62,642,538 hrs
Standards	Telcordia (Bellcore), GB

Warranty

Warranty Period	5 years
Details	See www.moxa.com/warranty

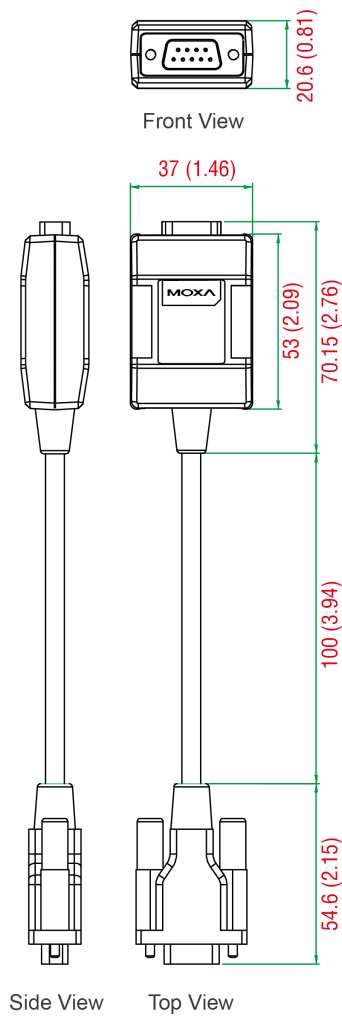
Package Contents

Device	1 x ISD-1110-T/1130-T Series surge protector
Documentation	1 x quick installation guide 1 x warranty card

Dimensions

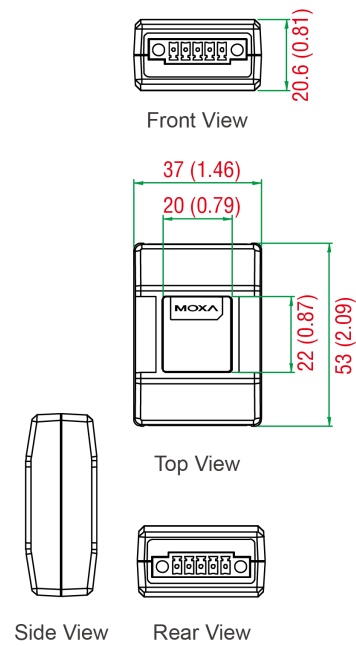
ISD-1110-T

Unit: mm (inch)



ISD-1130-T

Unit: mm (inch)



Ordering Information

Model Name	Serial Connector
ISD-1110-T	RS-232
ISD-1130-T	RS-422, RS-485

© Moxa Inc. All rights reserved. Updated Dec 22, 2021.

This document and any portion thereof may not be reproduced or used in any manner whatsoever without the express written permission of Moxa Inc. Product specifications subject to change without notice. Visit our website for the most up-to-date product information.