

EXPC-F2150W 系列

15.6 吋平板無風扇工業電腦，具有適用於危險戶外場所的 Zone-2 認證



特色與優點

- 15.6 吋16:9 顯示器
- 高效能 Tiger Lake Intel® Core™ i7/ Core™ i5/Core™ i3 或 Intel® Celeron® 處理器
- 內建光感應器，用於自動亮度控制
- 1200 尼特陽光下可讀防眩光顯示器
- 光學貼合顯示器,適合部屬於惡劣環境中
- 無風扇散熱設計，高溫環境下高效率散熱
- 符合 UL C1D2/C2D2、ATEX 和 IECEx ZONE 2/Zone 22 標準
- 正面 IP66 認證及背面 IP42 認證
- -40°C 至 70°C 操作溫度範圍
- 5G 和 Wi-Fi 6 連線選項
- 專為在危險場所部署和關鍵任務應用而設計

認證



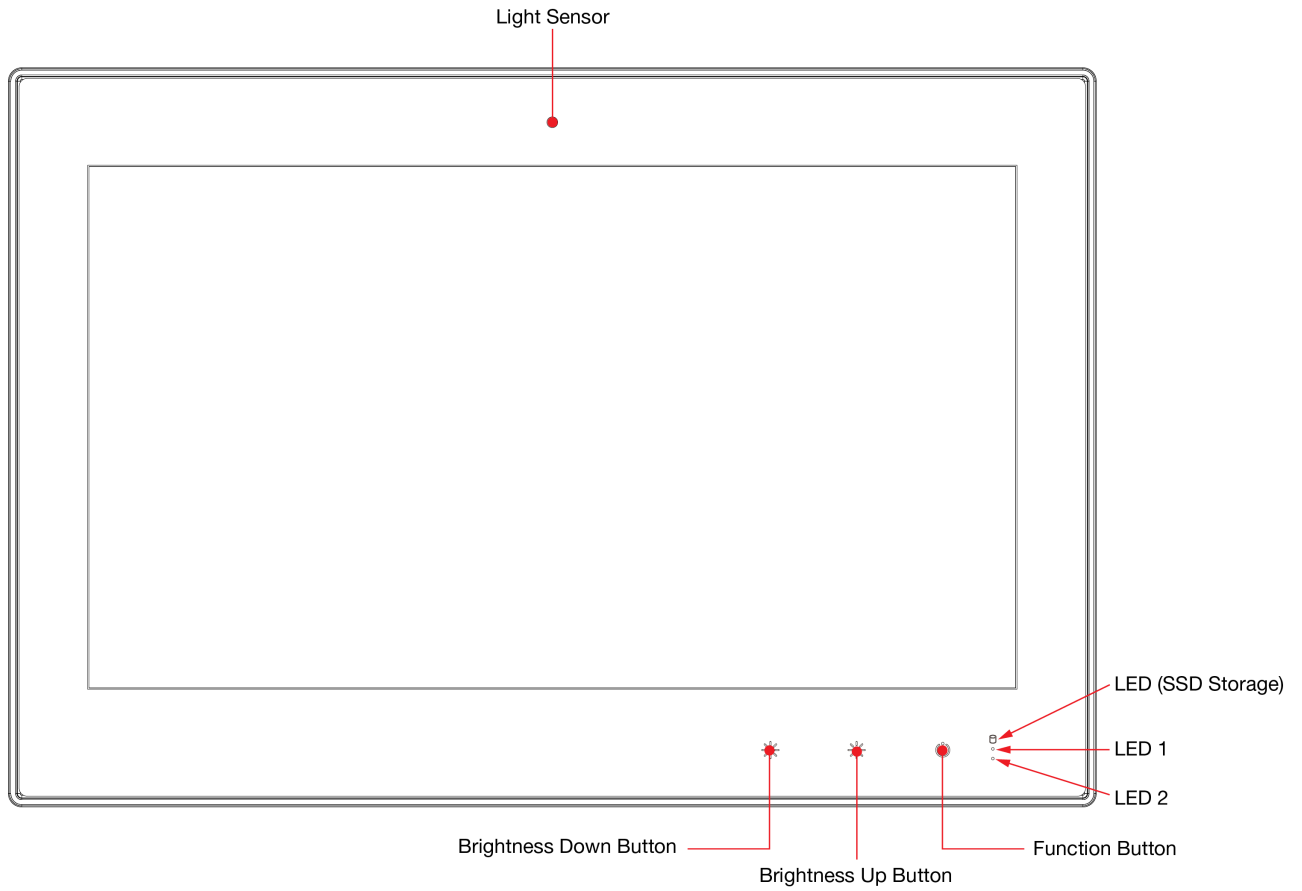
簡介

EXPC-F2150W 系列由配備第 11 代 Intel Core™ i 處理器的 15.6 吋平板電腦組成，可提供可靠、耐用且多功能的平台，適用於工業、危險和關鍵任務環境。EXPC-F2150W 平板電腦配備豐富的通訊界面，可滿足您所有工業應用場景的需求。平板電腦還配備了 DisplayPort 和 VGA 影像輸出，用於擴充顯示。

EXPC-F2150W 平板電腦採用無風扇設計，可在-40 至70°C 的溫度範圍內運行，流線型外殼可實現高效散熱，使其成為適用於惡劣、炎熱、室外環境，例如油氣田、鑽井平台、發電站，以及智慧加熱器解決方案的工業平台。平板電腦還具備了陽光下可讀的設計特性，如1200尼特液晶面板、投射式電容、手套觸控友善、多點觸控螢幕、光學貼合和防眩光設計，為用戶提供卓越的戶外應用體驗。

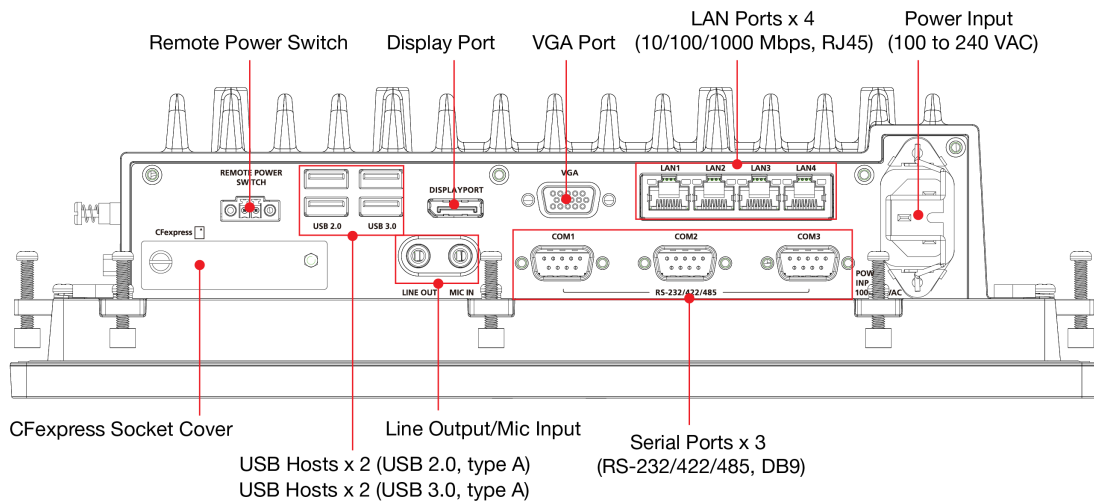
外觀

前視圖

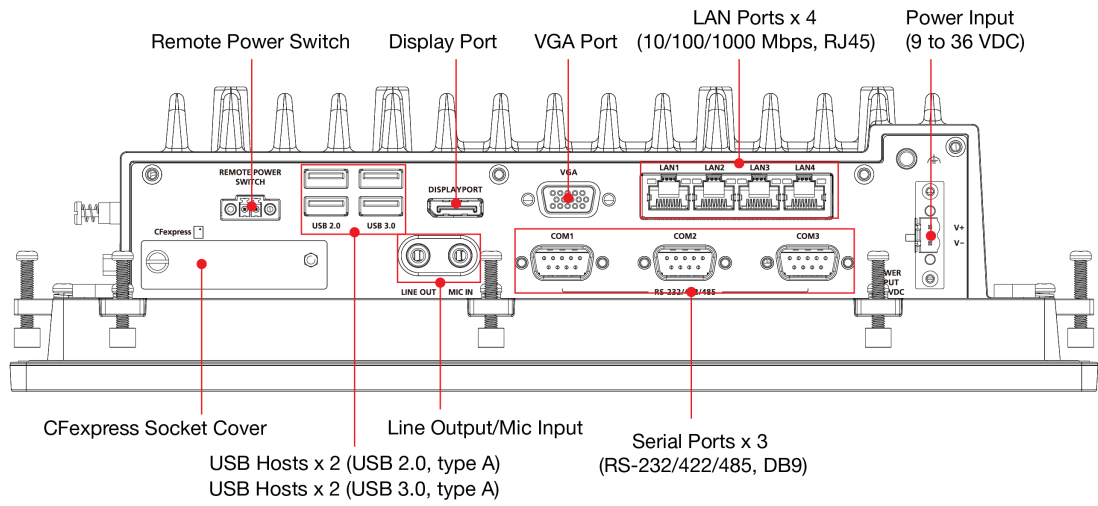


底視圖

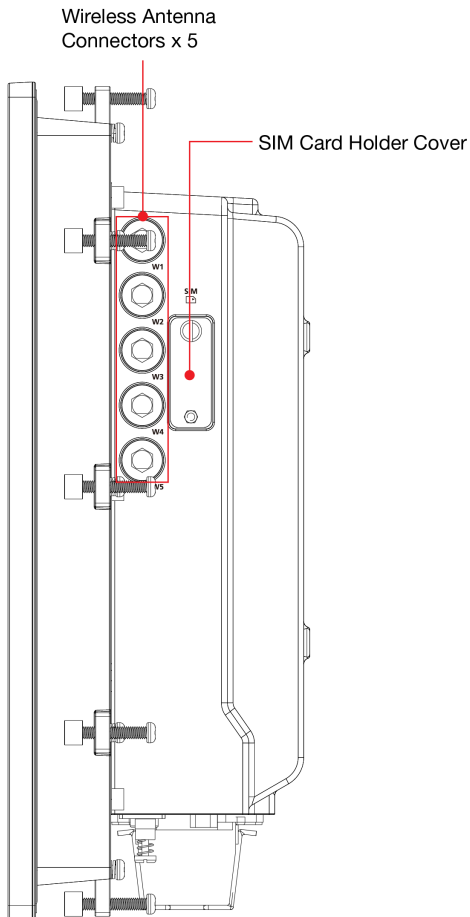
有 AC 電源輸入的型號



有 DC 電源輸入的型號



側視圖



規格

Computer

CPU	TL3 Models: Inte® Core™ i3-1115G4E TL5 Models: Intel® Core™ i5-1145G7E TL7 Models: Intel® Core™ i7-1185G7E
Graphics Controller	Intel® Core i7 Models: Intel® Iris® Xe Graphics Intel® Core i5/i3 Models: Intel® UHD Graphics
System Memory Pre-installed	16 GB (64 GB max)
System Memory Slot	SODIMM DDR4 slots x 2, up to 64 GB
Pre-installed OS	OS is not pre-installed OS installation via CTOS
Supported OS	Windows 11 Professional 23H2 64-bit Windows 10 Enterprise LTSC 21H2 Debian 11 (driver)
Storage Slot	M.2 B key x 1 for SSD (internal, optional) CFexpress slots x 1 (external, default)

Computer Interface

Ethernet Ports	Auto-sensing 10/100/1000 Mbps ports (RJ45 connector) x 4
Serial Ports	RS-232/422/485 ports x 3, software selectable (DB9 male)
USB 3.0	USB 3.0 hosts x 2, type-A connectors
USB 2.0	USB 2.0 hosts x 2, type-A connectors
Audio Input/Output	Line in x 1, mic-out x 1, 3.5 mm phone jack
Video Output	DisplayPort x 1 VGA x 1, 15-pin D-sub connector (female)
Expansion Slots	M.2 B key slot x 1 for 5G module M.2 E key slot x 1 for Wi-Fi module
TPM	TPM v2.0
Remote Management	Intel® Active Management Technology (AMT) support

LED Indicators

System	Power x 1 Storage x 1, SSD
LAN	2 per port, configurable by BIOS settings or via a Moxa software utility
Serial	2 per port, configurable by BIOS settings or via a Moxa software utility

Display

Active Display Area	344.16 (H) x 193.59 (V) mm
Aspect Ratio	16:9
Contrast Ratio	750:1
Light Intensity (Brightness)	1200 nits
Max. No. of Colors	16.7M (8-bit/color)
Panel Size	15.6 in

Panel Type	SFT
Pixel Pitch (RGB)	0.17925 (H) x 0.17925 (V) mm
Pixels	1920 x 1080
Response Time	30 ms (typ.)
Viewing Angles	Horizontal: 88°/88° Vertical: 88°/88°

Touch Function

Touch Type	Projective Capacitive touchscreen (PCAP) GGG sensor with optical bonding
Touch Support Points	4 points (max multi-touch points) 1 point (glove-friendly design)

Serial Interface

Baudrate	50 bps to 115.2 kbps
Data Bits	5, 6, 7, 8
Flow Control	RTS/CTS, XON/XOFF ADDC (automatic data direction control) for RS-485 RTS Toggle (RS-232 only)
Parity	None, Even, Odd, Space, Mark
Stop Bits	1, 1.5, 2

Serial Signals

RS-232	TxD, RxD, RTS, CTS, DTR, DSR, DCD, GND
RS-422	Tx+, Tx-, Rx+, Rx-, GND
RS-485-2w	Data+, Data-, GND
RS-485-4w	Tx+, Tx-, Rx+, Rx-, GND

Power Parameters

Input Voltage	DC Models: 9 to 36 VDC AC Models: 100 to 240 VAC
Power Consumption	70 W (max.) 100 W (with thermal heater)

Physical Characteristics

Housing	Aluminum
IP Rating	IP66 (front) IP42 (rear; with all IOs plugged in)
Dimensions	403.99 x 274.48 x 99 mm (15.91 x 10.81 x 3.90 in)
Weight	6,900 g (15.21 lb)

Environmental Limits

Operating Temperature	-40 to 70°C (-40 to 158°F)
Storage Temperature (package included)	-45 to 75°C (-49 to 167°F)
Altitude	3000 m

Standards and Certifications

EMC	EN 55032/35 EN 61000-6-2/-6-4
EMI	CISPR 32, FCC Part 15B Class A
EMS	IEC 61000-4-2 ESD: Contact: 4 kV; Air: 8 kV IEC 61000-4-3 RS: 80 MHz to 1 GHz: 10 V/m; 1.8, 2.6, 3.5, 5 GHz: 3 V/m IEC 61000-4-4 EFT: Power: 2 kV(AC), 1 kV(DC); Signal: 0.5 kV IEC 61000-4-5 Surge: Power: 2 kV (AC), 0.5 kV (DC L-L), 1 kV (DC L-G); Signal: 1 kV IEC 61000-4-6 CS: 10 V IEC 61000-4-8 PFMF
Hazardous Locations	EN / IEC 60079-0 EN / IEC 60079-7 EN / IEC 60079-15 Certification process underway
Mechanical Protection Rating	IEC 60529, IP code
Safety	UL 62368-1 EN 62368-1 IEC 62368-1
Shock	IEC 60068-2-27 compliant (with CFexpress card, 20G)
Vibration	IEC 60068-2-27 compliant (with CFexpress card, 20G)
UV Protection	IEC60068-2-5 CIE85: 300 to 3000 nm (included UV, visible, IR); 1000 hrs (procedure C; continuously for 24 hrs)

Declaration

Green Product	RoHS, CRoHS, WEEE
---------------	-------------------

Warranty

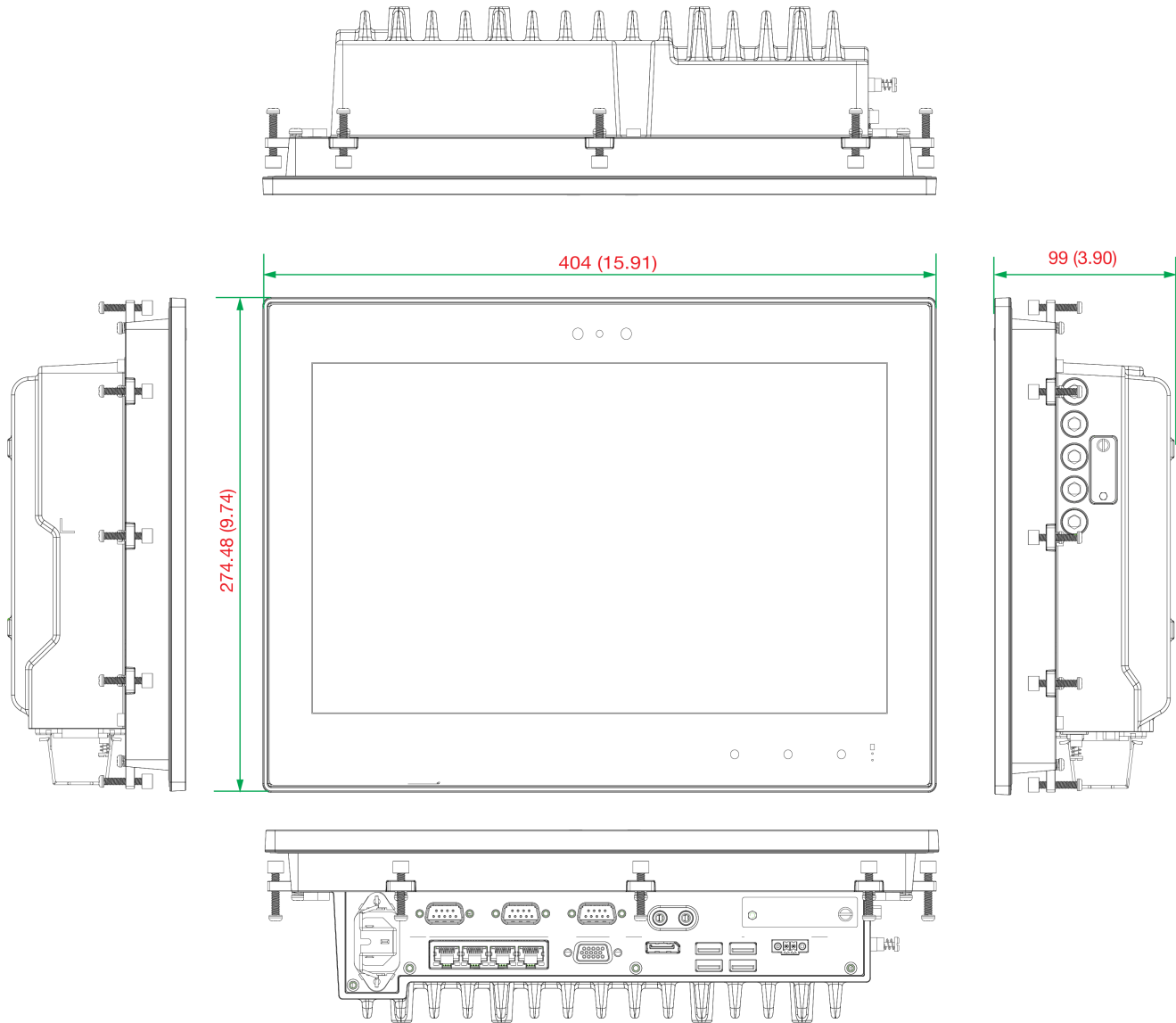
Warranty Period	LCD: 1 year System: 3 years
Details	See www.moxa.com/tw/warranty

Package Contents

Device	1 x EXPC-F2150W Series panel computer
Installation Kit	1 x panel-mounting kit DC Models: 1 x 2-pin terminal block for DC power connector AC Models: 1 x AC adapter cable with C14 male to C15 female connectors
Documentation	1 x quick installation guide 1 x warranty card

尺寸

單位：公釐 (英吋)



訂購資訊

Model Name	Panel	CPU	RAM	OS Preinstalled	Touchscreen	LAN	Serial	Video Outputs	Power Input	IP Rating	Operating Temp.
EXPC-F2150W-TL3-DC	15.6" (16:9) 1,200 nits	Intel® Core™ i3-1115G4E	16 GB (64 GB max)	-	PCAP	4	3	1 x VGA 1 x DisplayPort	9 to 36 VDC	IP66 (front), IP42 (rear)	-40 to 70°C
EXPC-F2150W-TL5-DC	15.6" (16:9) 1,200 nits	Intel® Core™ i5-1145G7E	16 GB (64 GB max)	-	PCAP	4	3	1 x VGA 1 x DisplayPort	9 to 36 VDC	IP66 (front), IP42 (rear)	-40 to 70°C
EXPC-F2150W-TL7-DC	15.6" (16:9) 1,200 nits	Intel® Core™ i7-1185G7E	16 GB (64 GB max)	-	PCAP	4	3	1 x VGA 1 x DisplayPort	9 to 36 VDC	IP66 (front), IP42 (rear)	-40 to 70°C

Model Name	Panel	CPU	RAM	OS Preinstalled	Touchscreen	LAN	Serial	Video Outputs	Power Input	IP Rating	Operating Temp.
EXPC-F2150W-TL3-AC	15.6" (16:9) 1,200 nits	Intel® Core™ i3-1115G4E	16 GB (64 GB max)	–	PCAP	4	3	1 x VGA 1 x DisplayPort	100 to 240 VAC	IP66 (front), IP42 (rear)	-40 to 70°C
EXPC-F2150W-TL5-AC	15.6" (16:9) 1,200 nits	Intel® Core™ i5-1145G7E	16 GB (64 GB max)	–	PCAP	4	3	1 x VGA 1 x DisplayPort	100 to 240 VAC	IP66 (front), IP42 (rear)	-40 to 70°C
EXPC-F2150W-TL7-AC	15.6" (16:9) 1,200 nits	Intel® Core™ i7-1185G7E	16 GB (64 GB max)	–	PCAP	4	3	1 x VGA 1 x DisplayPort	100 to 240 VAC	IP66 (front), IP42 (rear)	-40 to 70°C

© Moxa Inc. 版權所有.2024 年 1 月 8 日更新。

未經 Moxa Inc. 明確書面許可，不得以任何方式複製或使用本文件及其任何部分。產品規格如有變更，恕不另行通知。請至本公司官網了解最新的產品資訊。