

TN-5308 系列

EN 50155 8 埠非網管型乙太網路交換器



特色與優點

- M12 連接器和 IP40 金屬外殼
- 多達 8 個符合 IEEE 802.3af 標準的 PoE 和乙太網路兩用埠
- 支援 IEEE 802.3/802.3u/802.3x
- 符合所有 EN 50155 標準強制性測試項目¹
- 支援 -40 至 75°C 的操作溫度 (-T 型號)

認證



EN 50155



EN 50121-4



簡介

ToughNet TN-5308 系列 M12 非網管型乙太網路交換器專為工業應用的嚴苛環境所設計。TN-5308 系列交換器使用 M12 接頭，確保緊密且堅固的連線，並保證在不受環境的干擾（像是衝擊或震動）下，依然能夠穩定地運行。TN-5308 系列乙太網路交換器提供 8 個快速乙太網路 M12 接頭，以 10/100M 支援 IEEE 802.3/802.3u/802.3x、全 / 半雙工、MDI/MDI-X 自動偵測功能，為您的工業級乙太網路提供經濟實惠的解決方案。

同時，也提供寬溫（-40 至 75°C）的型號選擇。TN-5308 乙太網路交換器符合 EN 50155 要求，讓產品更適合軌道車輛應用，包括操作溫度、電源輸入電壓、突波、靜電放電（ESD）和震動，讓此台交換器可以適用於各式各樣的工業應用。TN-5308 PoE 乙太網路交換器提供 4 或 8 個 IEEE 802.3af 相容的 PoE 連接埠。這些交換器被歸類為供電端設備（PSE），每個連接埠提供到 15.4 瓦的電源。

規格

Ethernet Interface

10/100BaseT(X) Ports (M12 D-coded 4-pin female connector)	TN-5308 Series non-PoE models: 8
PoE Ports (10/100BaseT(X), M12 D-coded 4-pin female connector)	TN-5308-4PoE Series: 4 TN-5308-8PoE Series: 8
Standards	IEEE 802.3 for 10BaseT IEEE 802.3u for 100BaseT(X) IEEE 802.3x for flow control TN-5308 Series PoE models: IEEE 802.3af for PoE

Power Parameters

Input Current	TN-5308-LV Series: 0.19 A @ 12 VDC, 0.10 A @ 24 VDC, 0.05 A @ 48 VDC TN-5308-MV Series: 0.033 A @ 72 VDC, 0.024 A @ 96 VDC, 0.021 A @ 110 VDC TN-5308-4PoE Series: 1.6 A @ 48 VDC TN-5308-8PoE Series: 2.9 A @ 48 VDC
Input Voltage	TN-5308-LV Series: 12 to 48 VDC TN-5308-MV Series: 72 to 110 VDC PoE models: 48 VDC
Max. PoE Power Output per Port	TN-5308 Series PoE models: 15.4 W
No. of Power Inputs	1

1. 此產品適合用於符合 EN 50155 標準的軌道車輛應用。若需更詳細的說明，請參照：www.moxa.com/doc/specs/EN_50155_Compliance.pdf

Operating Voltage	TN-5308-LV Series: 8.4 to 60 VDC TN-5308-MV Series: 50.4 to 137.5 VDC TN-5308 Series PoE models: 46 to 50 VDC ²
Power Connector	TN-5308-LV Series and TN-5308 Series PoE models: M12 A-coded male connector TN-5308-MV Series: M23 connector

Physical Characteristics

Housing	Metal
IP Rating	IP40
Dimensions	TN-5308-LV Series: 60 x 216.6 x 36.1 mm (2.36 x 8.53 x 1.42 in) TN-5308-MV Series: 60 x 216.6 x 53.8 mm (2.36 x 8.53 x 2.12 in) TN-5308-4PoE Series: 60 x 216.6 x 48.7 mm (2.36 x 8.53 x 1.91 in) TN-5308-8PoE Series: 60 x 216.6 x 52.9 mm (2.36 x 8.53 x 2.1 in)
Weight	TN-5308-LV Series: 485 g (1.07 lb) TN-5308-MV Series: 685 g (1.51 lb) TN-5308-4PoE Series: 675 g (1.49 lb) TN-5308-8PoE Series: 970 g (2.14 lb)
Installation	DIN-rail mounting (with optional kit), Wall mounting
Protection	TN-5308 Series -CT models: PCB conformal coating

Environmental Limits

Operating Temperature	Standard Models: -25 to 60°C (-13 to 140°F) Wide Temp. Models: -40 to 75°C (-40 to 167°F)
Storage Temperature (package included)	-40 to 85°C (-40 to 185°F)
Ambient Relative Humidity	5 to 95% (non-condensing)
Altitude	2000 m

Standards and Certifications

Freefall	IEC 60068-2-32
EMC	EN 55032/24
EMI	CISPR 32, FCC Part 15B Class A
EMS	IEC 61000-4-2 ESD: Contact: 6 kV; Air: 8 kV IEC 61000-4-3 RS: 80 MHz to 1 GHz: 20 V/m IEC 61000-4-4 EFT: Power: 2 kV; Signal: 2 kV IEC 61000-4-5 Surge: Power: 2 kV; Signal: 2 kV IEC 61000-4-6 CS: 10 V IEC 61000-4-8 PFMF
Environmental Testing	IEC 60068-2-1, EN 50155 IEC 60068-2-14, EN 50155 IEC 60068-2-2, EN 50155 IEC 60068-2-30, EN 50155
International Approval	RCM
Railway	EN 50121-4, EN 50155
Railway Fire Protection	EN 45545-2
Safety	EN 60950-1, UL 508
Salt Spray Test	IEC 60068-2-11, EN 50155

2. TN-5308 系列 PoE 型號的工作電壓範圍介於 46 至 50 VDC，不符合 EN 50155 標準中定義的「電壓供應變化」和「電源切換」標準。請聯絡 Moxa 以取得更多資訊。

Shock	IEC 60068-2-27, IEC 61373, EN 50155
Vibration	IEC 60068-2-64, IEC 61373, EN 50155

Declaration

Green Product	RoHS, CRoHS, WEEE
---------------	-------------------

MTBF

Time	TN-5308-LV Series: 2,099,286 hrs TN-5308-MV Series: 2,590,858 hrs TN-5308-4PoE Series: 252,075 hrs TN-5308-8PoE Series: 308,392 hrs
Standards	Telcordia SR332

Warranty

Warranty Period	5 years
Details	See www.moxa.com/tw/warranty

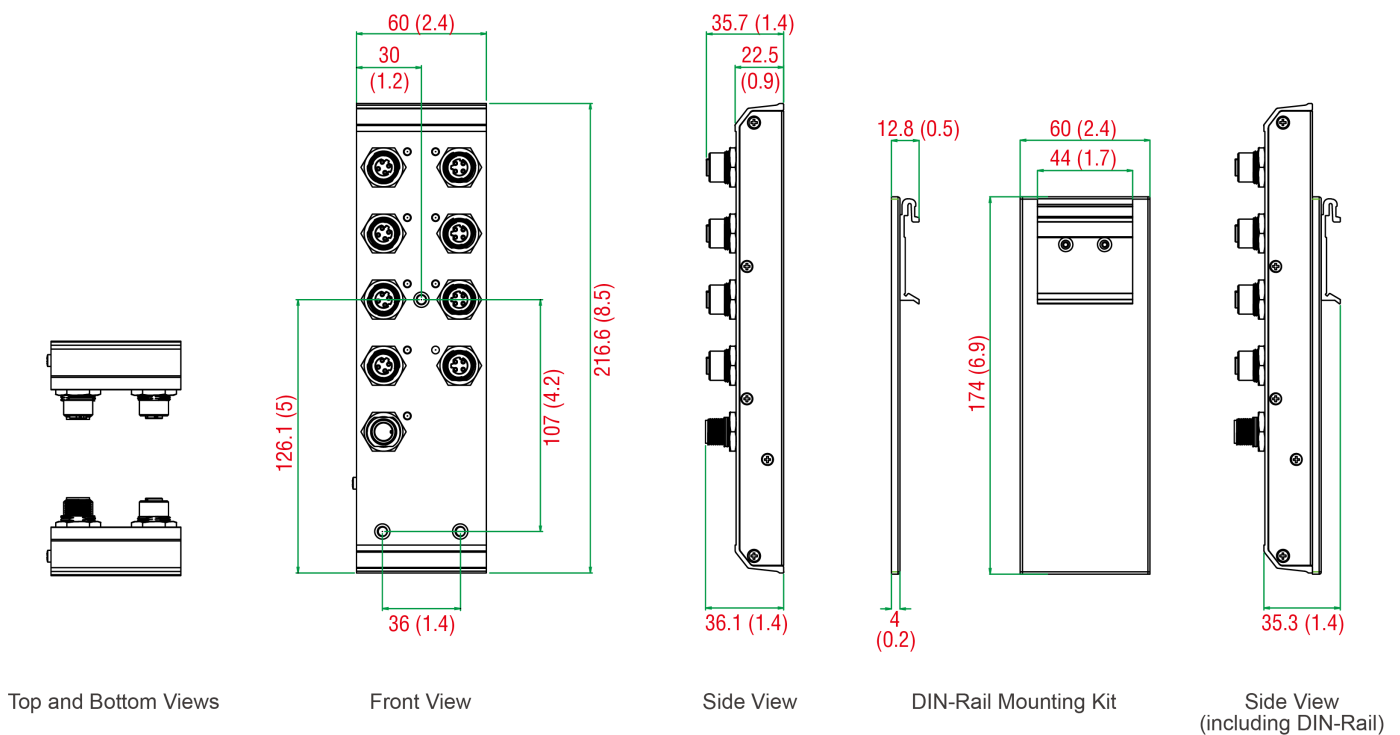
Package Contents

Device	1 x TN-5308 Series switch
Installation Kit	1 x panel-mounting kit
Documentation	1 x quick installation guide 1 x warranty card

尺寸

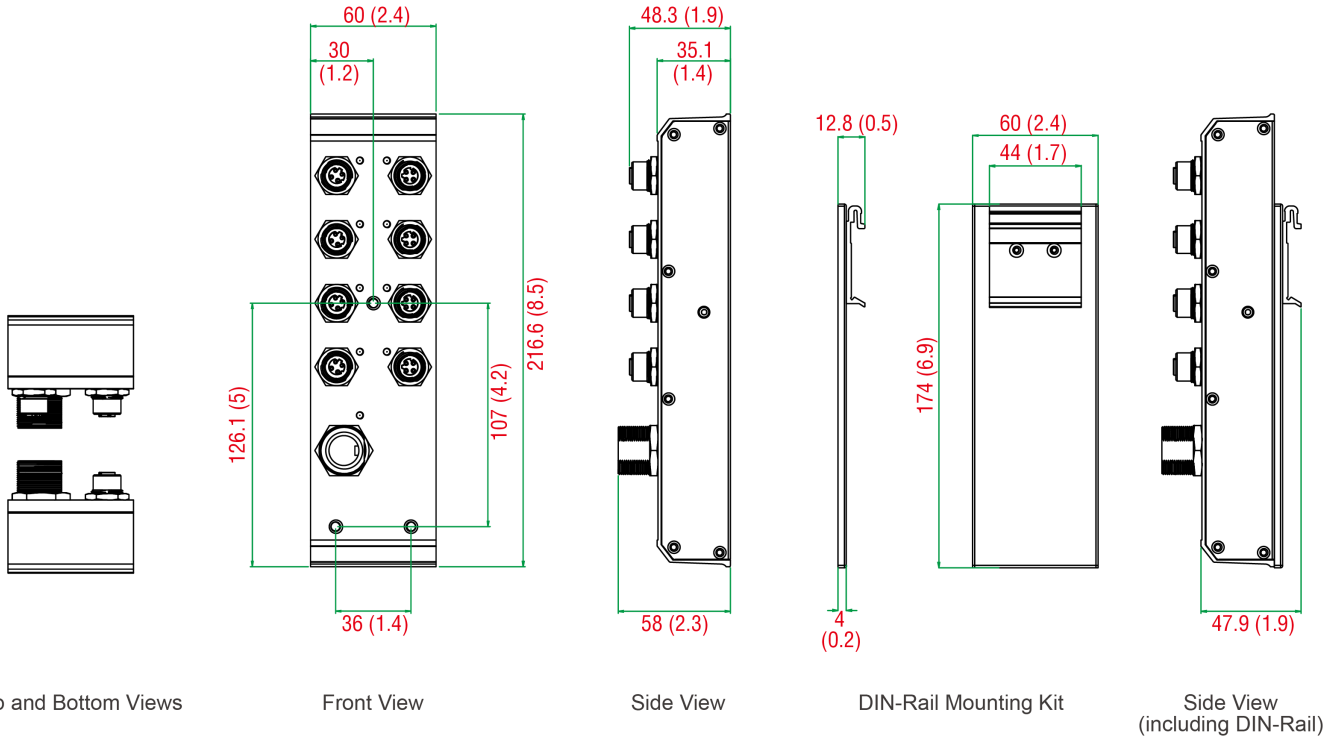
TN-5308-LV Series

單位：公釐（英吋）



TN-5308-MV Series

單位：公釐（英吋）



訂購資訊

Model Name	PoE, 10/100BaseT(X) Ports, M12 D-Coded Female Connector	10/100BaseT(X) Ports, M12 D-Coded Female Connector	Power Input	Input Voltage	Operating Temp.	Conformal Coating
TN-5308-LV	-	8	Single input	12/24/36/48 VDC	-25 to 60°C	-
TN-5308-LV-CT	-	8	Single input	12/24/36/48 VDC	-25 to 60°C	P
TN-5308-LV-T	-	8	Single input	12/24/36/48 VDC	-40 to 75°C	-
TN-5308-LV-CT-T	-	8	Single input	12/24/36/48 VDC	-40 to 75°C	P
TN-5308-MV	-	8	Single input	72/96/110 VDC	-25 to 60°C	-
TN-5308-MV-CT	-	8	Single input	72/96/110 VDC	-25 to 60°C	P
TN-5308-MV-T	-	8	Single input	72/96/110 VDC	-40 to 75°C	-
TN-5308-MV-CT-T	-	8	Single input	72/96/110 VDC	-40 to 75°C	P
TN-5308-4PoE-48	4	4	Single input	48 VDC	-25 to 60°C	-
TN-5308-4PoE-48-CT	4	4	Single input	48 VDC	-25 to 60°C	P
TN-5308-4PoE-48-T	4	4	Single input	48 VDC	-40 to 75°C	-
TN-5308-4PoE-48-CT-T	4	4	Single input	48 VDC	-40 to 75°C	P
TN-5308-8PoE-48	8	-	Single input	48 VDC	-25 to 60°C	-
TN-5308-8PoE-48-CT	8	-	Single input	48 VDC	-25 to 60°C	P
TN-5308-8PoE-48-T	8	-	Single input	48 VDC	-40 to 75°C	-
TN-5308-8PoE-48-CT-T	8	-	Single input	48 VDC	-40 to 75°C	P

配件 (選購)

Cables

CBL-M12(FF5P)/OPEN-100 IP67	A-coded M12-to-5-pin power cable, IP67-rated 5-pin female M12 connector, 1 m Applicable Models: TN-5308-LV TN-5308-LV-CT-T TN-5308-4PoE-48-T TN-5308-8PoE-48-T TN-5308-LV-T TN-5308-LV-CT TN-5308-4PoE-48 TN-5308-8PoE-48
CBL-M23(FF6P)/OPEN-BK-100 IP67	M23 to 6-pin power cable, IP67-rated female 6-pin M23 connector, IP67, 1 m Applicable Models: TN-5308-MV TN-5308-MV-CT-T TN-5308-MV-T TN-5308-MV-CT
CBL-M12DMM4PM12DMM4P-BK-100-IP67	M12-to-M12 Cat-5E STP Ethernet cable, 4-pin D-coded M12 connector, IP67, 1 m
CBL-M12D(MM4P)/RJ45-100 IP67	M12-to-RJ45 cable, IP67-rated, 1 m

M12 Connector Caps

A-CAP-M12M-M	Metal cap for M12 male connector
A-CAP-M12F-M	Metal cap for M12 female connector

Connectors

M12A-5P-IP68	A-coded screw-in sensor connector, female, IP68, 4.05 cm Applicable Models: TN-5308-LV TN-5308-LV-CT-T TN-5308-4PoE-48-T TN-5308-8PoE-48 TN-5308-LV-CT TN-5308-4PoE-48 TN-5308-LV-T TN-5308-8PoE-48-T
M12D-4P-IP68	D-coded screw-in sensor connector, male, IP68
M12D-4PMM-IP67	M12 D-coded connector, QUICKON type, 4-pin male, IP67
A-PLG-WPM23-01-IP67	M23 cable connector, female 6-pin, crimp type, IP67 Applicable Models: TN-5308-MV TN-5308-MV-T TN-5308-MV-CT-T TN-5308-MV-CT

DIN-Rail Mounting Kits

DK-TN-5308	DIN-rail mounting kit for the TN-5308 Series
------------	--

© Moxa Inc. 版權所有. 2021 年 1 月 14 日更新。

未經 Moxa Inc. 明確書面許可，不得以任何方式複製或使用本文件及其任何部分。產品規格如有變更，恕不另行通知。請至本公司官網了解最新的產品資訊。