

# EDS-G508E 系列

## 8 埠全 Gigabit 網管型乙太網路交換器



### 特色與優點

- 支援 Turbo Ring 和 Turbo Chain ( 復原時間 <50 毫秒 @ 250 台交換器 ) ，以及透過 RSTP/STP 和 MSTP 協議支援網路備援
- RADIUS、TACACS+、MAB Authentication、SNMPv3、IEEE 802.1X、MAC ACL、HTTPS、SSH 和綁訂 MAC 位址可提高網路安全
- 基於 IEC 62443 的資安防護功能
- 支援 EtherNet/IP、PROFINET 和 Modbus TCP 通訊協定以進行裝置管理與監控
- 支援 Mxstudio 以進行輕鬆、虛擬化的工業網路管理
- V-ON™ 可確保毫秒等級的多播資料和視訊網路復原

### 認證



### 簡介

EDS-G508E 交換器配備有 8 個 Gigabit 乙太網路連接埠，使得它們非常適合用於將現有網路升級至 Gigabit 速度，或是建立新的全 Gigabit 骨幹。Gigabit 傳輸可增加頻寬以提供更高效能，並且透過三合一服務快速地在網路間傳輸大量資料。

備援乙太網路技術 ( 例如 Turbo Ring、Turbo Chain、RSTP/STP 和 MSTP ) 可增加系統的可靠性，並且改善網路骨幹的可用性。EDS-G508E 系列是專門為高需求的通訊應用所設計 ( 例如視訊與流程監控、ITS 和 DCS 系統 ) ，所有應用都可從可擴充的骨幹結構中獲益。

### 附加特色與優點

- 命令列介面 (CLI) 快速設定主要網管功能
- DHCP Option 82 依據不同的政策配置 IP 位置
- 支援 EtherNet/IP、PROFINET 和 Modbus TCP 通訊協定以進行裝置管理與監控
- IGMP 和 GMRP，用於篩選多播流量
- 以連接埠為基礎的 VLAN、IEEE 802.1Q VLAN 以及 GVRP，用來簡化網路規劃
- 可用連線埠鏡像進行線上除錯
- 發生狀況時，可自動透過 Email 和繼電器輸出告警
- QoS ( IEEE 802.1p/1Q 和 TOS/DiffServ ) 以提高確定性
- 連接埠聚合可提供最佳頻寬使用率
- RADIUS、TACACS+、MAB Authentication、SNMPv3、IEEE 802.1x、MAC ACL、HTTPS、SSH 和綁訂 MAC 位址可提高網路安全
- SNMPv1/v2c/v3，適用不同層級的網路管理
- RMON 提供主動且有效率的網路監控
- 頻寬管理可預防無法預測的網路狀態
- 鎖定連接埠功能可根據 MAC 位址封鎖未經授權的存取
- 支援 ABC-02-USB ( 自動備份配置器 ) 以進行系統配置備份/還原與韌體升級

### 規格

#### Input/Output Interface

Alarm Contact Channels	1, Relay output with current carrying capacity of 1 A @ 24 VDC
Buttons	Reset button
Digital Input Channels	1
Digital Inputs	+13 to +30 V for state 1 -30 to +3 V for state 0 Max. input current: 8 mA

## Ethernet Interface

10/100/1000BaseT(X) Ports (RJ45 connector)	8 Auto negotiation speed Full/Half duplex mode Auto MDI/MDI-X connection
Standards	IEEE 802.3 for 10BaseT IEEE 802.3u for 100BaseT(X) IEEE 802.3ab for 1000BaseT(X) IEEE 802.3x for flow control IEEE 802.1D-2004 for Spanning Tree Protocol IEEE 802.1w for Rapid Spanning Tree Protocol IEEE 802.1s for Multiple Spanning Tree Protocol IEEE 802.1p for Class of Service IEEE 802.1Q for VLAN Tagging IEEE 802.1X for authentication IEEE 802.3ad for Port Trunk with LACP

## Ethernet Software Features

Filter	802.1Q VLAN, Port-based VLAN, GVRP, IGMP v1/v2/v3, GMRP
Industrial Protocols	EtherNet/IP, Modbus TCP, PROFINET IO Device (Slave)
Management	LLDP, Back Pressure Flow Control, BOOTP, Port Mirror, DHCP Option 66/67/82, DHCP Server/Client, Fiber check, Flow control, IPv4/IPv6, RARP, RMON, SMTP, SNMP Inform, SNMPv1/v2c/v3, Syslog, Telnet, TFTP
MIB	Ethernet-like MIB, MIB-II, Bridge MIB, P-BRIDGE MIB, Q-BRIDGE MIB, RMON MIB Groups 1, 2, 3, 9, RSTP MIB
Redundancy Protocols	Link Aggregation, MSTP, RSTP, STP, Turbo Chain, Turbo Ring v1/v2
Security	Broadcast storm protection, HTTPS/SSL, TACACS+, SNMPv3, MAB authentication, Sticky MAC, NTP authentication, MAC ACL, Port Lock, RADIUS, SSH, SMTP with TLS
Time Management	NTP Server/Client, SNTP

## Switch Properties

IGMP Groups	2048
Jumbo Frame Size	9.6 KB
MAC Table Size	8 K
Max. No. of VLANs	256
Packet Buffer Size	4 Mbits
Priority Queues	4
VLAN ID Range	VID 1 to 4094

## USB Interface

Storage Port	USB Type A
--------------	------------

## LED Interface

LED Indicators	PWR1, PWR2, STATE, FAULT, 10/100M (TP port), 1000M (TP port), MSTR/HEAD, CPLR/TAIL
----------------	--

## Serial Interface

Console Port	USB-serial console (Type B connector)
--------------	---------------------------------------

## DIP Switch Configuration

DIP Switches	Turbo Ring, Master, Coupler, Reserve
--------------	--------------------------------------

## Power Parameters

Connection	2 removable 4-contact terminal block(s)
Input Current	0.28 A @ 24 VDC
Input Voltage	12/24/48/-48 VDC, Redundant dual inputs
Operating Voltage	9.6 to 60 VDC
Overload Current Protection	Supported
Reverse Polarity Protection	Supported

## Physical Characteristics

Housing	Metal
IP Rating	IP30
Dimensions	79.2 x 135 x 137 mm (3.1 x 5.3 x 5.4 in)
Weight	1440 g (3.18 lb)
Installation	DIN-rail mounting, Wall mounting (with optional kit)

## Environmental Limits

Operating Temperature	EDS-G508E: -10 to 60°C (14 to 140°F) EDS-G508E-T: -40 to 75°C (-40 to 167°F)
Storage Temperature (package included)	-40 to 85°C (-40 to 185°F)
Ambient Relative Humidity	5 to 95% (non-condensing)

## Standards and Certifications

Safety	UL 508
EMC	EN 61000-6-2/-6-4
EMI	CISPR 32, FCC Part 15B Class A
EMS	IEC 61000-4-2 ESD: Contact: 8 kV; Air: 15 kV IEC 61000-4-3 RS: 80 MHz to 1 GHz: 10 V/m IEC 61000-4-4 EFT: Power: 4 kV; Signal: 4 kV IEC 61000-4-5 Surge: Power: 4 kV; Signal: 4 kV IEC 61000-4-6 CS: 10 V IEC 61000-4-8 PFMF
Hazardous Locations	ATEX, Class I Division 2
Maritime	DNV-GL, LR, ABS, NK
Power Substation	IEC 61850-3, IEEE 1613
Railway	EN 50121-4
Traffic Control	NEMA TS2
Shock	IEC 60068-2-27
Freefall	IEC 60068-2-32
Vibration	IEC 60068-2-6

## MTBF

Time	808,970 hrs
Standards	Telcordia (Bellcore), GB

## Warranty

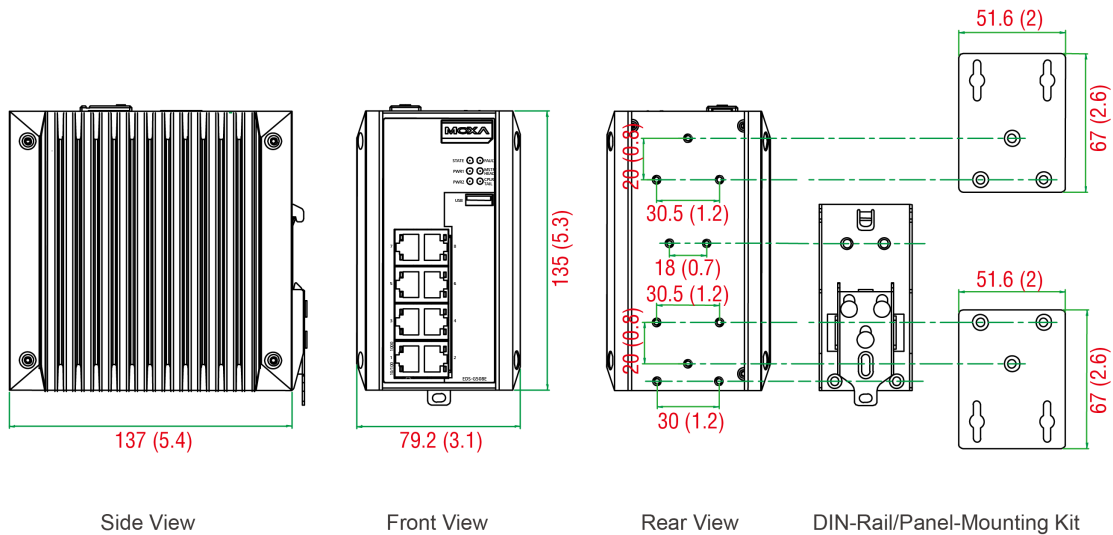
Warranty Period	5 years
Details	See <a href="http://www.moxa.com/tw/warranty">www.moxa.com/tw/warranty</a>

## Package Contents

Device	1 x EDS-G508E Series switch
Cable	1 x USB type A male to USB type B male
Installation Kit	4 x cap, plastic, for RJ45 port
Documentation	1 x quick installation guide 1 x warranty card 1 x product certificates of quality inspection, Simplified Chinese 1 x product notice, Simplified Chinese

## 尺寸

單位：公釐（英吋）



## 訂購資訊

Model Name	10/100/1000BaseT(X) Ports RJ45 Connector	Operating Temp.
EDS-G508E	8	-10 to 60°C
EDS-G508E-T	8	-40 to 75°C

## 配件（選購）

### Storage Kits

ABC-02-USB	Configuration backup and restoration tool, firmware upgrade, and log file storage tool for managed Ethernet switches and routers, 0 to 60°C operating temperature
ABC-02-USB-T	Configuration backup and restoration tool, firmware upgrade, and log file storage tool for managed Ethernet switches and routers, -40 to 75°C operating temperature

## Power Supplies

DR-120-24	120W/2.5A DIN-rail 24 VDC power supply with universal 88 to 132 VAC or 176 to 264 VAC input by switch, or 248 to 370 VDC input, -10 to 60°C operating temperature
DR-4524	45W/2A DIN-rail 24 VDC power supply with universal 85 to 264 VAC or 120 to 370 VDC input, -10 to 50°C operating temperature
DR-75-24	75W/3.2A DIN-rail 24 VDC power supply with universal 85 to 264 VAC or 120 to 370 VDC input, -10 to 60°C operating temperature
MDR-40-24	DIN-rail 24 VDC power supply with 40W/1.7A, 85 to 264 VAC, or 120 to 370 VDC input, -20 to 70°C operating temperature
MDR-60-24	DIN-rail 24 VDC power supply with 60W/2.5A, 85 to 264 VAC, or 120 to 370 VDC input, -20 to 70°C operating temperature

## Wall-Mounting Kits

WK-51-01	Wall-mounting kit, 2 plates, 6 screws, 51.6 x 67 x 2 mm
----------	---

## Rack-Mounting Kits

RK-4U	19-inch rack-mounting kit
-------	---------------------------

## Software

MXview-50	Industrial network management software with a license for 50 nodes (by IP address)
MXview-100	Industrial network management software with a license for 100 nodes (by IP address)
MXview-250	Industrial network management software with a license for 250 nodes (by IP address)
MXview-500	Industrial network management software with a license for 500 nodes (by IP address)
MXview-1000	Industrial network management software with a license for 1000 nodes (by IP address)
MXview-2000	Industrial network management software with a license for 2000 nodes (by IP address)
MXview Upgrade-50	License expansion of MXview industrial network management software by 50 nodes (by IP address)

© Moxa Inc. 版權所有.2019 年 8 月 06 日更新。

未經 Moxa Inc. 明確書面許可，不得以任何方式複製或使用本文件及其任何部分。產品規格如有變更，恕不另行通知。請至本公司官網了解最新的產品資訊。