

EDS-G2005-EL 系列

金屬外殼 5 埠入門級非網管型全 Gigabit 乙太網路交換器



特色與優點

- 全 Gigabit 乙太網路連接埠
- 尺寸小巧並容易安裝
- 支援 QoS 在高負荷流量中處理重要資料
- IP40 等級金屬外殼
- -40 至 75°C 寬操作溫度範圍 (-T 型號)

認證



簡介

EDS-G2005-EL 系列工業級乙太網路交換器具有五個 Gigabit 乙太網路連接埠，非常適合需要簡單工業級乙太網路連線的應用。此外，為了針對不同產業的應用提供更多的彈性，EDS-G2005-EL 系列允許使用者透過外部面板 DIP 開啟或停用服務品質功能 (QoS) 和廣播風暴防護 (BSP)。此外，EDS-G2005-EL 系列具有堅固耐用的金屬外殼，確保適用於工業環境。

EDS-G2005-EL 系列具有 12/24/48 VDC 單電源輸入、DIN Rail 鋁軌安裝，以及高等級 EMI/EMC 防護能力。除了小巧的尺寸之外，EDS-G2005-EL 系列也通過 100% 的高溫測試，確保在布署後能夠穩定運作。EDS-G2005-EL 系列具有 -10 至 60°C 的標準操作溫度範圍，同時具有寬溫度型號可選 (-40 至 75°C)。

規格

Ethernet Interface

10/100/1000BaseT(X) Ports (RJ45 connector)	5 Full/Half duplex mode Auto MDI/MDI-X connection Auto negotiation speed
Standards	IEEE 802.3 for 10BaseT IEEE 802.3u for 100BaseT(X) IEEE 802.3ab for 1000BaseT(X) IEEE 802.1p for Class of Service IEEE 802.3x for flow control

Switch Properties

Processing Type	Store and Forward
MAC Table Size	4 K
Packet Buffer Size	1.5 Mbits

DIP Switch Configuration

Ethernet Interface	Quality of Service (QoS), Broadcast Storm Protection (BSP)
--------------------	--

Power Parameters

Connection	1 removable 2-contact terminal block(s)
Input Current	0.21 A (max.)

Input Voltage	12/24/48 VDC
Operating Voltage	9.6 to 60 VDC
Overload Current Protection	Supported
Reverse Polarity Protection	Supported

Physical Characteristics

Dimensions	18 x 81 x 65 mm (0.71 x 3.19 x 2.56 in)
Installation	DIN-rail mounting Wall mounting (with optional kit)
Weight	120 g (0.26 lb)
Housing	Metal

Environmental Limits

Ambient Relative Humidity	5 to 95% (non-condensing)
Operating Temperature	EDS-G2005-EL: -10 to 60°C (14 to 140°F) EDS-G2005-EL-T: -40 to 75°C (-40 to 167°F)
Storage Temperature (package included)	-40 to 85°C (-40 to 185°F)

Standards and Certifications

Safety	UL 61010-2-201 EN 62368-1 (LVD)
EMC	EN 55032/35 EN 61000-6-2/-6-4
EMI	CISPR, 32, FCC Part 15B Class A
EMS	IEC 61000-4-2 ESD: Contact: 6 kV; Air: 8 kV IEC 61000-4-3 RS: 80 MHz to 1 GHz: 20 V/m IEC 61000-4-4 EFT: Power: 1 kV; Signal: 1 kV IEC 61000-4-5 Surge: Power: 1 kV; Signal: 1 kV IEC 61000-4-6 CS: 10 V IEC 61000-4-8 PFMF
Shock	IEC 60068-2-27
Vibration	IEC 60068-2-6
Freefall	IEC 60068-2-32

MTBF

Time	3,404,784 hrs
Standards	Telcordia (Bellcore), GB

Warranty

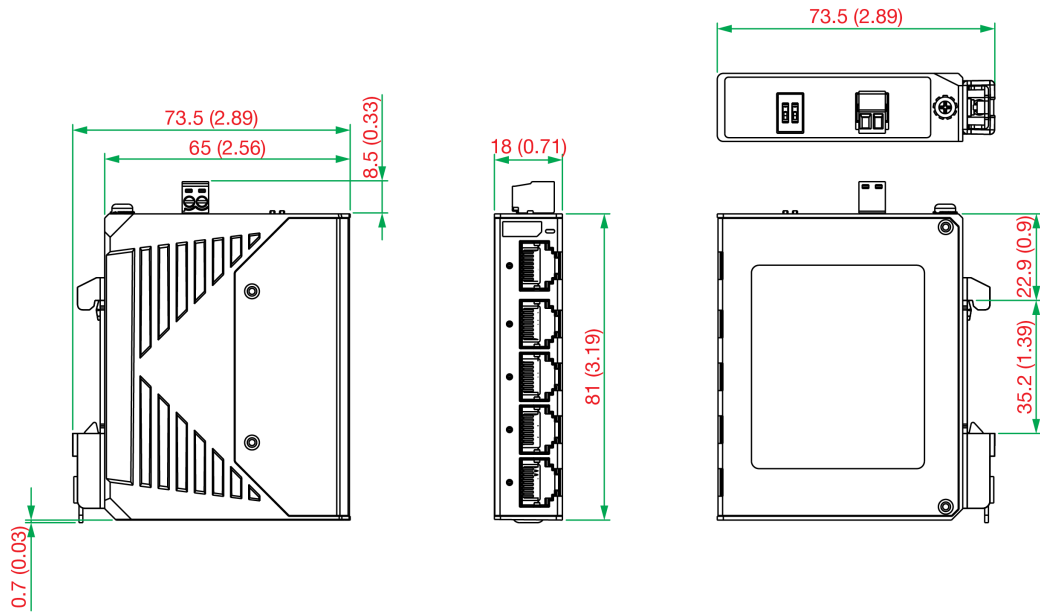
Warranty Period	5 years
Details	See www.moxa.com/tw/warranty

Package Contents

Device	1 x EDS-G2005-EL Series switch
Documentation	1 x quick installation guide 1 x warranty card

尺寸

單位：公釐（英吋）



訂購資訊

Model Name	10/100/1000BaseT(X) Ports (RJ45 Connector)	Housing	Operating Temp.
EDS-G2005-EL	5	Metal	-10 to 60°C
EDS-G2005-EL-T	5	Metal	-40 to 75°C

配件（選購）

Power Supplies

DR-120-24	120W/2.5A DIN-rail 24 VDC power supply with universal 88 to 132 VAC or 176 to 264 VAC input by switch, or 248 to 370 VDC input, -10 to 60°C operating temperature
DR-4524	45W/2A DIN-rail 24 VDC power supply with universal 85 to 264 VAC or 120 to 370 VDC input, -10 to 50°C operating temperature
DR-75-24	75W/3.2A DIN-rail 24 VDC power supply with universal 85 to 264 VAC or 120 to 370 VDC input, -10 to 60°C operating temperature
MDR-40-24	DIN-rail 24 VDC power supply with 40W/1.7A, 85 to 264 VAC, or 120 to 370 VDC input, -20 to 70°C operating temperature
MDR-60-24	DIN-rail 24 VDC power supply with 60W/2.5A, 85 to 264 VAC, or 120 to 370 VDC input, -20 to 70°C operating temperature

Wall-Mounting Kits

WK-18	Wall-mounting kit, 1 plate (18 x 120 x 8.5 mm)
-------	--

Rack-Mounting Kits

RK-4U	19-inch rack-mounting kit
-------	---------------------------

© Moxa Inc. 版權所有。2023 年 2 月 01 日更新。

未經 Moxa Inc. 明確書面許可，不得以任何方式複製或使用本文件及其任何部分。產品規格如有變更，恕不另行通知。請至本公司官網了解最新的產品資訊。