

ANT-LTEUS-ASM-01 系列

GSM/GPRS/EDGE/UMTS/HSPA/LTE , 1 dBi , 全向型橡膠天線



特色與優點

- 小尺寸容易安裝
- 相當輕巧，攜帶方便
- 傾斜和旋轉設計
- 彈性安裝
- 支援 SMA 接頭 (公頭)

簡介

ANT-LTEUS-ASM-01 為一款全向型輕便小巧的天線，適用於 GSM/GPRS/EDGE/UMTS/HSPA/LTE 頻段。天線提供 1 dBi 的增益，可在 -30 至 75°C 的溫度下操作。

規格

Antenna Characteristics

Frequency	700/850/900/1700/1900/2600 MHz
Antenna Type	Omni-directional
Typical Antenna Gain	1 dBi @ 698 to 960 MHz 2 dBi @ 1710 to 1990 MHz 2 dBi @ 2300 to 2400 MHz 2 dBi @ 2500 to 2700 MHz
Connector	SMA (male)
Impedance	50 ohms
Polarization	Linear, Vertical
HPBW/Horizontal	360°
V.S.W.R.	< 3

Physical Characteristics

Weight	26 g (0.06 lb)
Length	205 mm (8.07 in)
Radome Color	Black
Radome Material	Plastic
Installation	Straight mount

Environmental Limits

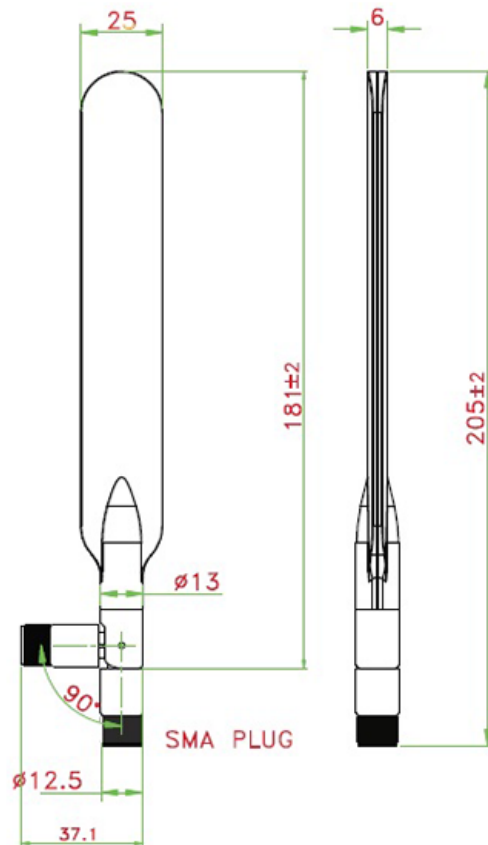
Operating Temperature	-30 to 75°C (-22 to 167°F)
Storage Temperature (package included)	-30 to 75°C (-22 to 167°F)
Ambient Relative Humidity	5 to 95% (30°C, non-condensing)

Warranty

Warranty Period	1 year
Details	See www.moxa.com/tw/warranty

尺寸

單位：公釐



訂購資訊

Model Name	Frequency	Antenna Type	Antenna Gain	Connector
ANT-LTEUS-ASM-01	700/850/900/1700/1900/ 2600 MHz	Omni-directional	1 dBi @ 698 to 960 MHz 2 dBi @ 1710 to 1990 MHz 2 dBi @ 2300 to 2400 MHz 2 dBi @ 2500 to 2700 MHz	SMA (male)

© Moxa Inc. 版權所有. 2018 年 11 月 17 日更新。

未經 Moxa Inc. 明確書面許可，不得以任何方式複製或使用本文件及其任何部分。產品規格如有變更，恕不另行通知。請至本公司官網了解最新的產品資訊。