

RKP-C110 Series

Rackmount computers with 11th Gen Intel® Core™ Tiger Lake processor base model and high-interface models



Features and Benefits

- 1U rackmount computer with fanless design
- 11th Gen Intel® Celeron®, or Intel® Core™ i3, i5, or i7 processor
- Rich interface options for up to 12 LAN ports and up to 10 serial ports
- 12/24 VDC and dual 100 to 240 VAC/VDC power input options
- Unified front-panel connectivity design for easy access of interfaces
- -30 to 60°C operating temperature range

Certifications



Introduction

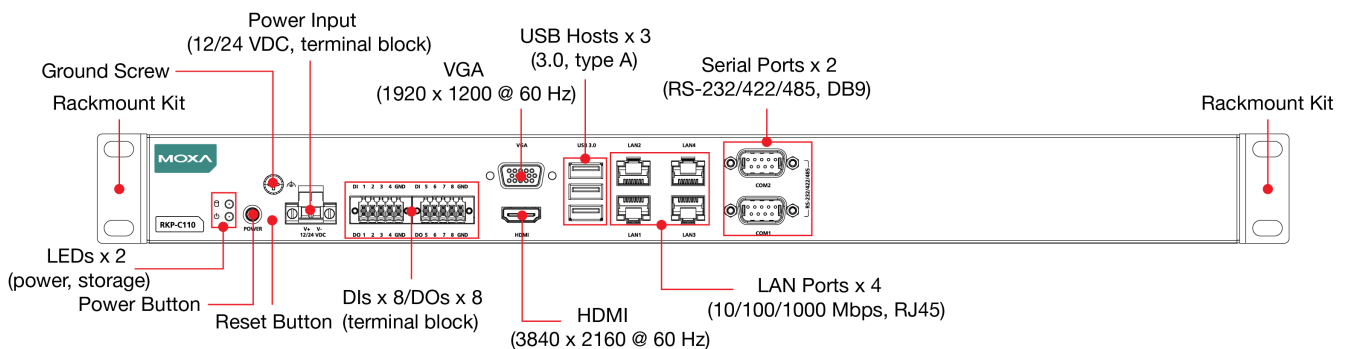
The RKP-C110 rackmount computers are powered by 11th Gen Intel® Celeron®, or Intel® Core™ i3, i5, or i7 processor. The computers come with a rich set of interface options including up to 12 Gigabit Ethernet ports, 10 software-selectable RS-232/422/485 serial ports, 8 digital inputs and 8 digital outputs, and two kinds of power input options, 12/24 VDC and 100 to 240 VAC/VDC (power module). The communication interfaces are all located on the front panel for enabling easy access and convenient expansion for industrial applications. Two hand-rotated 2.5" SSD storages and an outer replaceable RTC battery design deliver a reliable, durable, and versatile platform for a more user-friendly option.

Designed as 1U standard form factor fanless rackmount computers with an operating temperature range of -30 to 60°C and a build-in TPM 2.0 module, the RKP-C110 computers are ideal as reliable and secure computing platforms for industrial applications in extreme operating environments.

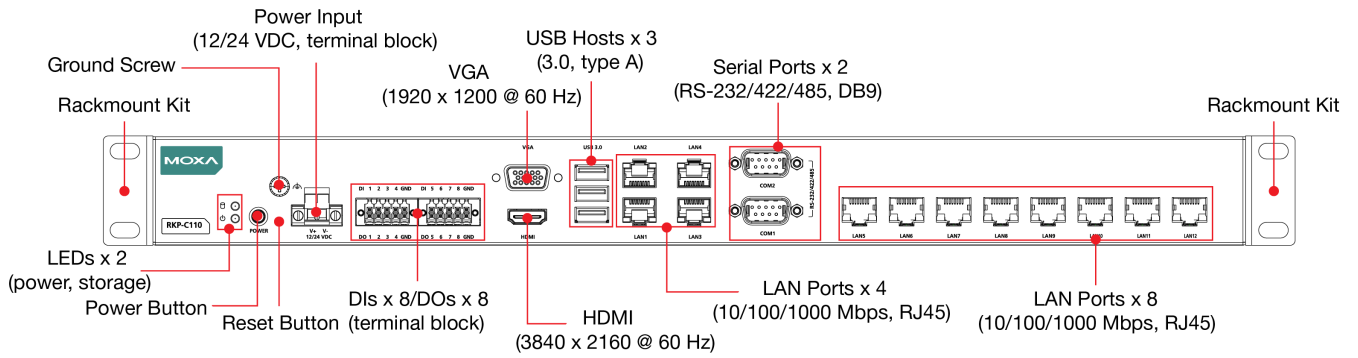
Appearance

Front View

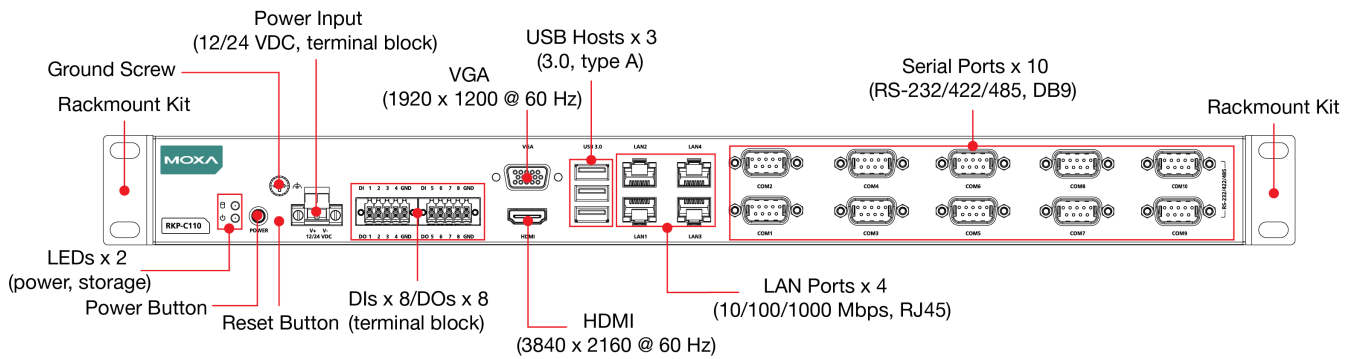
RKP-C110-C1-T/C3-T/C5-T/C7-T/C1-T-Win10/C3-T-Win10/C5-T-Win10/C7-T-Win10 Models



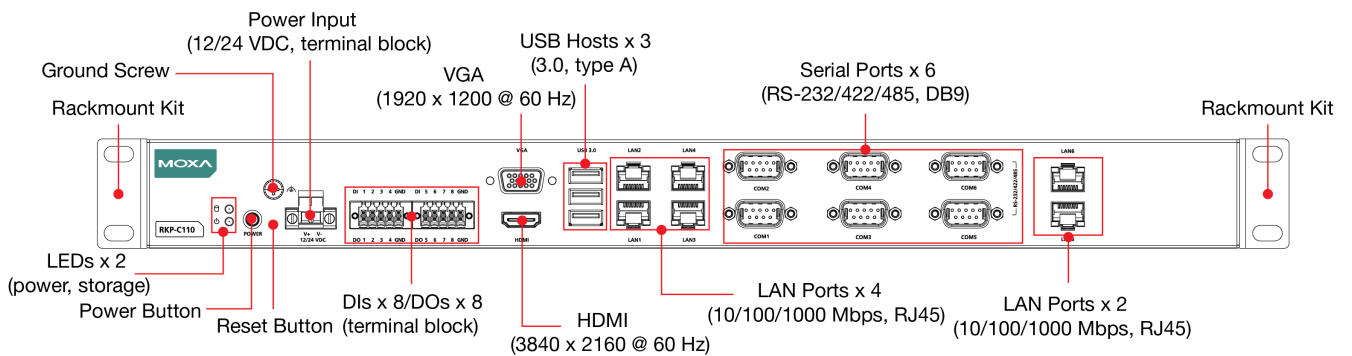
RKP-C110-C1-8L-T/C3-8L-T/C5-8L-T/C7-8L-T Models



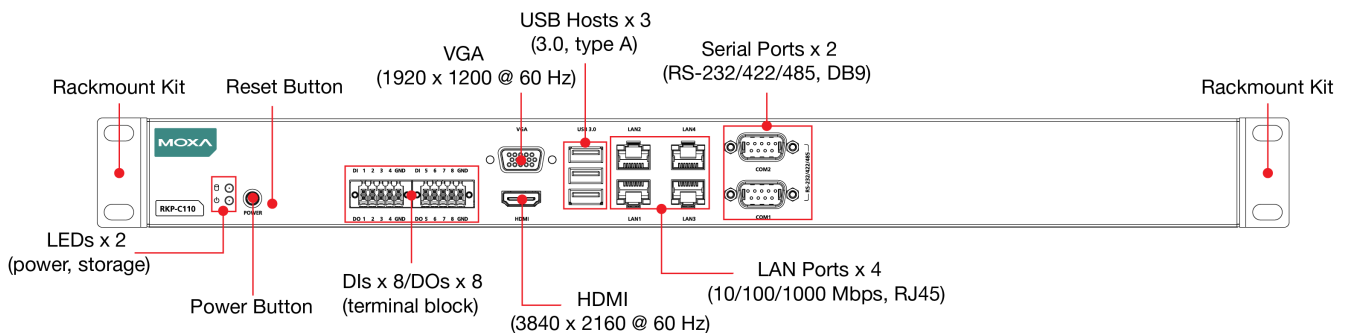
RKP-C110-C1-8C-T/C3-8C-T/C5-8C-T/C7-8C-T Models



RKP-C110-C1-2L4C-T/C3-2L4C-T/C5-2L4C-T/C7-2L4C-T Models

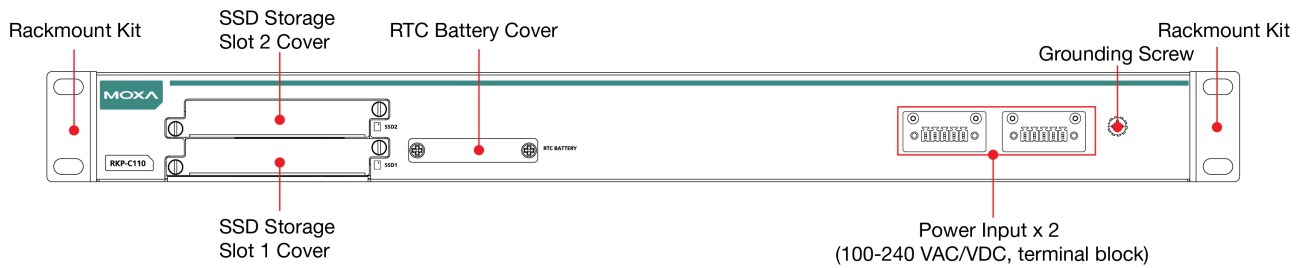


RKP-C110-C1-2HV-T/C3-2HV-T/C5-2HV-T/C7-2HV-T Models

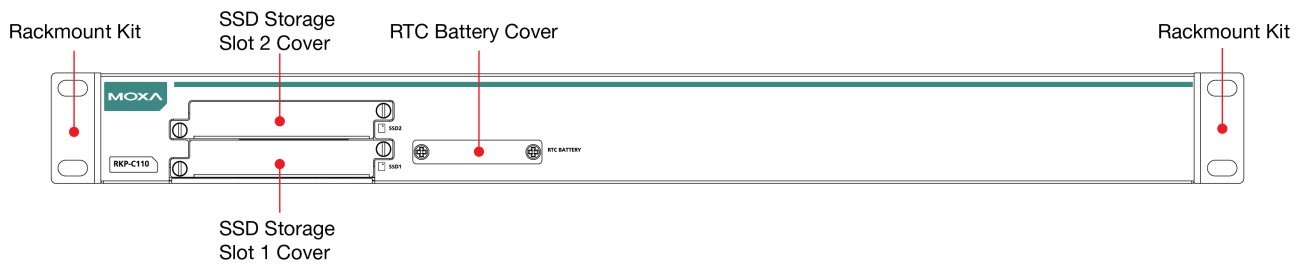


RearView

RKP-C110-C1-2HV-T/C3-2HV-T/C5-2HV-T/C7-2HV-T Models



All Other Models



Specifications

Computer

| | |
|-----------------------------|--|
| CPU | RKP-C110-C1 models: Intel® Celeron® 6305E "(Dual core, 4M cache, 1.80 GHz) RKP-C110-C3 models: Intel® Core™ i3-1115G4E (Quad core, 4M cache, 3 GHz, Base: 2.20 GHz) RKP-C110-C5 models: Intel® Core™ i5-1145G7E (Quad core, 8M cache, 2.60 GHz, Base: 1.50 GHz) RKP-C110-C7 models: Intel® Core™ i7-1185G7E (Quad core, 12M cache, 2.80 GHz, Base: 1.80 GHz) |
| System Memory Slot | SODIMM DDR4 slots x 1, up to 32 GB max. |
| System Memory Pre-installed | 8 GB DDR4 |
| Storage Slot | 2.5-inch SSD slots x 2 (SATAIII interface) RAID 0/1 support |
| Supported OS | Windows images and drivers supported: - Windows 11 IoT Ent LTSC 2024 64-bit - Windows 10 IoT Ent LTSC 2021 64-bit - Windows 11 Professional 64-bit - Windows Server 2022 (driver support only) Linux image supported: - Debian 11 (kernel 5.10) Linux drivers supported: - Debian 12 (kernel 6.10) - Ubuntu 22.04 LTS/HWE - RHEL 9 (kernel 5.14) |
| Graphics Controller | Intel® Iris® Xe Graphics |

Computer Interface

| | |
|----------------|--|
| Ethernet Ports | RKP-C110-C1-8L-T/C3-8L-T/C5-8L-T/C7-8L-T models: Auto-sensing 10/100/1000 Mbps ports (RJ45 connector) x 12 RKP-C110-C1-2L4C-T/C3-2L4C-T/C5-2L4C-T/C7-2L4C-T models: Auto-sensing 10/100/1000 Mbps ports (RJ45 connector) x 6 All other models: Auto-sensing 10/100/1000 Mbps ports (RJ45 connector) x 4 |
| Serial Ports | RKP-C110-C1-8C-T/C3-8C-T/C5-8C-T/C7-8C-T models: RS-232/422/485 ports x 10, software selectable (DB9 male) RKP-C110-C1-2L4C-T/C3-2L4C-T/C5-2L4C-T/C7-2L4C-T models: RS-232/422/485 ports x 6, software selectable (DB9 male) All other models: RS-232/422/485 ports x 2, software selectable (DB9 male) |
| USB 3.0 | USB 3.0 hosts x 3, type-A connectors |
| Digital Input | DIs x 8 |
| Digital Output | DOs x 8 |
| TPM | TPM v2.0 |
| Video Output | HDMI 2.0b x 1, (type A connector) VGA x 1, 15-pin D-sub connector (female) |
| Buttons | Reset button Power button |

Ethernet Interface

| | |
|-------------------------------|-------------------|
| Magnetic Isolation Protection | 1.5 kV (built-in) |
|-------------------------------|-------------------|

Serial Interface

| | |
|--------------|------------------------------|
| Baudrate | 50 bps to 115.2 kbps |
| Connector | DB9 male |
| Data Bits | 5, 6, 7, 8 |
| Parity | None, Even, Odd, Space, Mark |
| Stop Bits | 1, 1.5, 2 |
| Flow Control | RTS/CTS, XON/XOFF |

Serial Signals

| | |
|-----------|--|
| RS-232 | TxD, RxD, RTS, CTS, DTR, DSR, DCD, GND |
| RS-422 | Tx+, Tx-, Rx+, Rx-, GND |
| RS-485-2w | Data+, Data-, GND |
| RS-485-4w | Tx+, Tx-, Rx+, Rx-, GND |

Digital Inputs

| | |
|-------------|--|
| Connector | Spring-type Euroblock terminal |
| Sensor Type | Dry contact |
| Dry Contact | Logic 0: Short to GND Logic 1: Open |

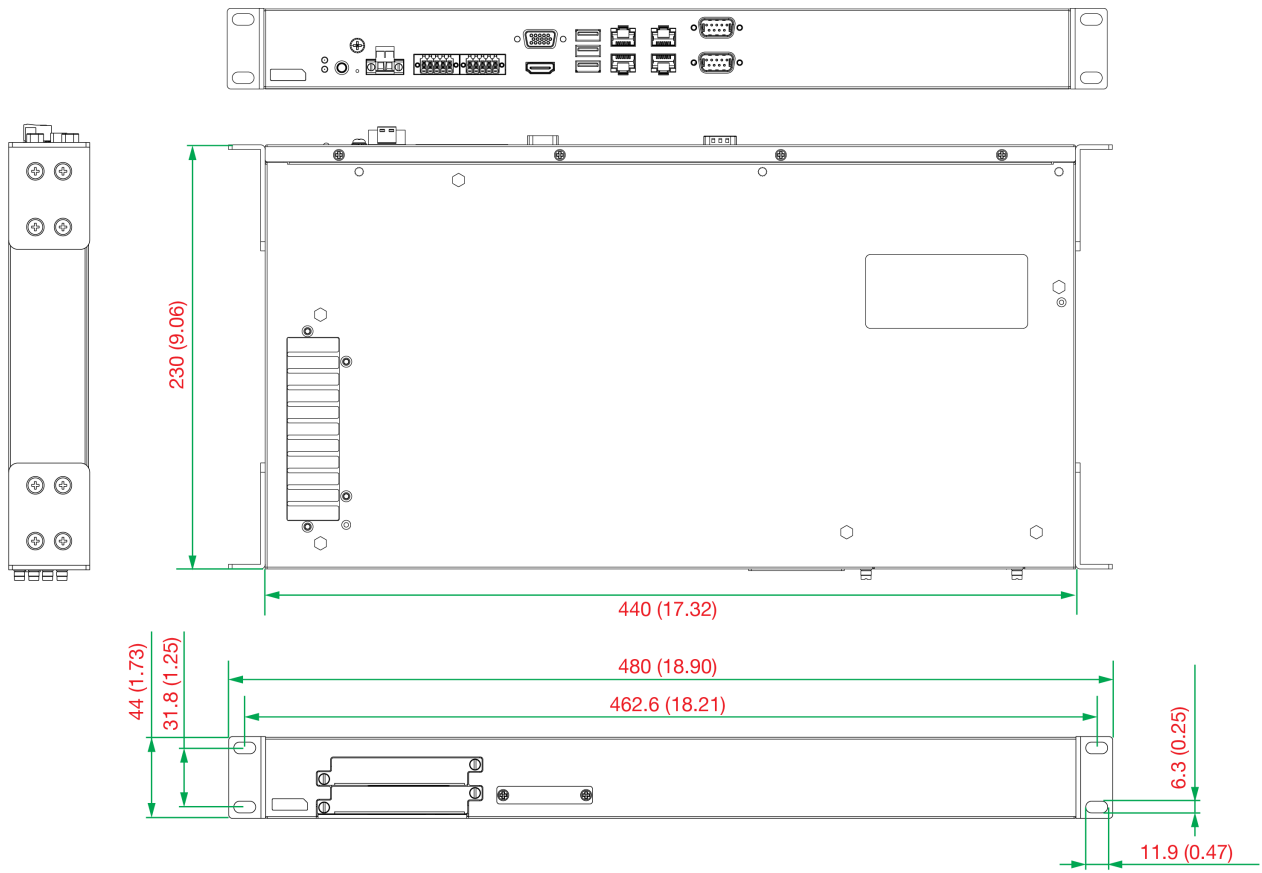
| Digital Outputs | |
|------------------------------|--|
| Connector | Spring-type Euroblock terminal |
| I/O Type | Sink |
| Current Rating | 200 mA per channel |
| Voltage | 0 to 24 VDC |
| LED Indicators | |
| System | Power x 1 Storage x 1 |
| LAN | 2 per port (10/100/1000 Mbps) |
| Power Parameters | |
| Input Voltage | 12/24 VDC 2HV-T models: 100 to 240 VAC/VDC |
| Power Connector | Screw-fastened Euroblock terminal |
| Power Consumption | 90 W |
| Physical Characteristics | |
| Housing | Metal |
| IP Rating | IP20 |
| Dimensions | 440 x 230 x 43.6 mm (17.32 x 9.06 x 1.72 in) 2HV-T models: 440 x 360 x 43.65 mm (17.32 x 14.17 x 1.72 in) |
| Weight | RKP-C110-C1-8C-T/C3-8C-T/C5-8C-T/C7-8C-T models: 3,610 g (7.95 lb) RKP-C110-C1-2L4C-T/C3-2L4C-T/C5-2L4C-T/C7-2L4C-T models: 3,540 g (7.80 lb) RKP-C110-C1-8L-T/C3-8L-T/C5-8L-T/C7-8L-T models: 3,800 g (8.37 lb) RKP-C110-C1-T/C3-T/C5-T/C7-T/C1-T-Win10/C3-T-Win10/C5-T-Win10/C7-T-Win10 models: 3,350 g (7.38 lb) RKP-C110-C1-2HV-T/C3-2HV-T/C5-2HV-T/C7-2HV-T models: 5,616 g (12.38 lb) |
| Installation | Rack mounting (standard 1U) |
| Environmental Limits | |
| Operating Temperature | -30 to 60°C (-22 to 140°F) |
| Storage Temperature | -40 to 75°C (-40 to 167°F) |
| Ambient Relative Humidity | 5 to 95% (non-condensing) |
| Standards and Certifications | |
| EMC | EN 55032/35 |
| EMI | CISPR 32, FCC Part 15B Class A BSMI |
| EMS | IEC 61000-4-2 ESD: Contact: 4 kV; Air: 8 kV IEC 61000-4-3 RS: 80 MHz to 1 GHz: 3 V/m IEC 61000-4-4 EFT: Power: 0.5 kV; Signal: 0.5 kV IEC 61000-4-5 Surge: Power: 0.5 kV, Signal: 1 kV IEC 61000-4-6 CS: 3 V IEC 61000-4-8 PFMF: 1 A/m at 50 to 60 Hz |

| | |
|--------------------------|---|
| Safety | IEC 62368-1 UL 62368-1 BSMI |
| Shock | IEC 60068-2-27 |
| Vibration | IEC 60068-2-64 |
| Package Drop Test | ISTA 1A |
| Package Vibration Test | ISTA 1A |
| Declaration | |
| Green Product | RoHS, CRoHS, WEEE |
| Reliability | |
| Time Source | Built-in RTC (real-time clock) with lithium-battery backup |
| Automatic Reboot Trigger | Built-in WDT |
| MTBF | |
| Time | 493,336 2HV-T models: 1,435,365 hrs hrs |
| Standards | Telcordia (Bellcore), GB |
| Warranty | |
| Warranty Period | 3 years |
| Details | See www.moxa.com/warranty |
| Package Contents | |
| Device | 1 x RKP-C110 Series computer |
| Installation Kit | 2 x terminal block, 10-pin for DI/DOs 1 x terminal block, 2-pin for DC power (non-2HV models only) 1 x terminal block, 5-pin for AC/DC power (2HV models only) 2 x rack-mounting ears with 16 screws (2HV models only) |
| Documentation | 1 x quick installation guide 1 x warranty card |

Dimensions

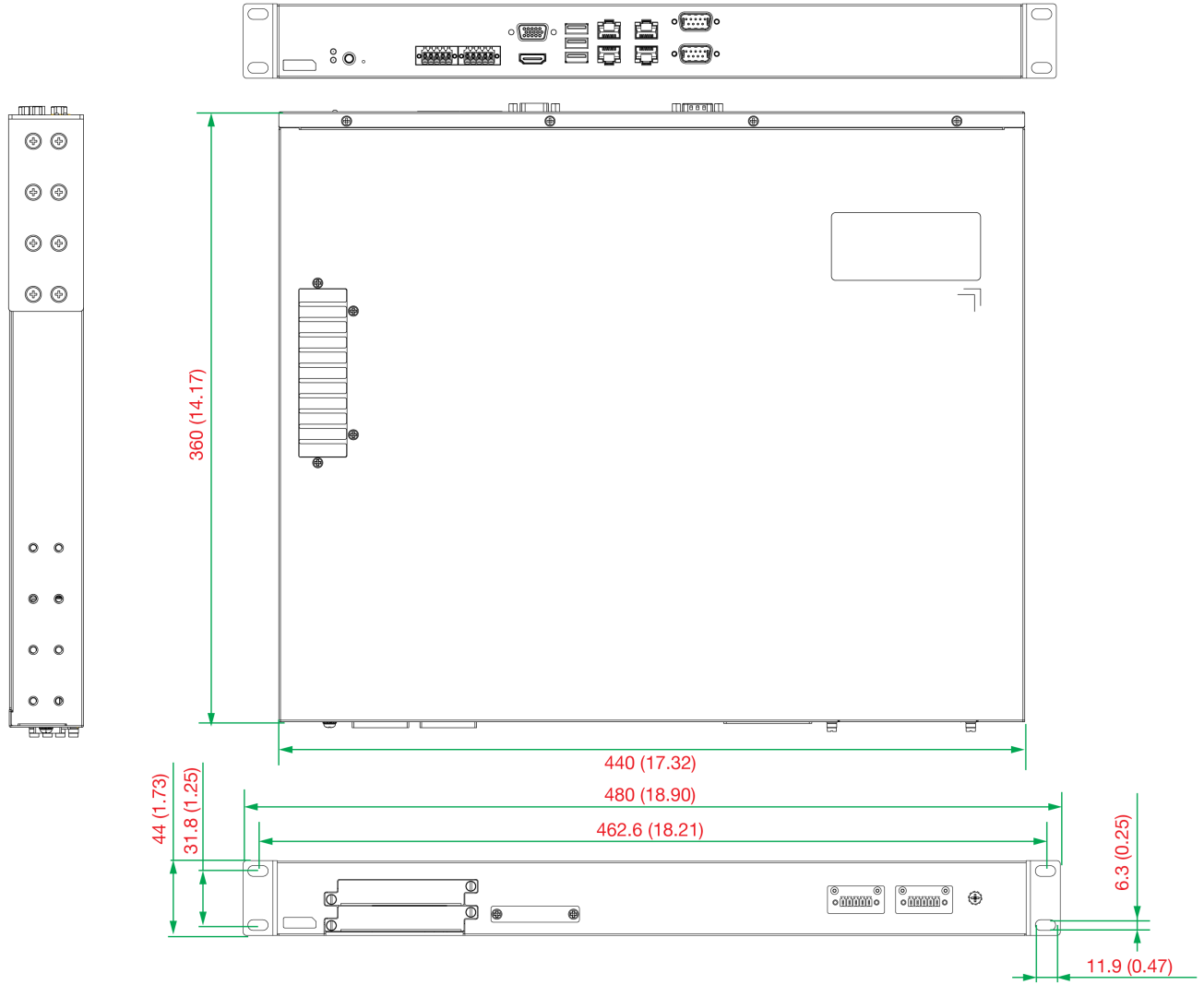
RKP-C110-C1-T/C3-T/C5-T/C7-T/C1-T-Win10/C3-T-Win10/C5-T-Win10/C7-T-Win10 Models

Unit: mm (inch)



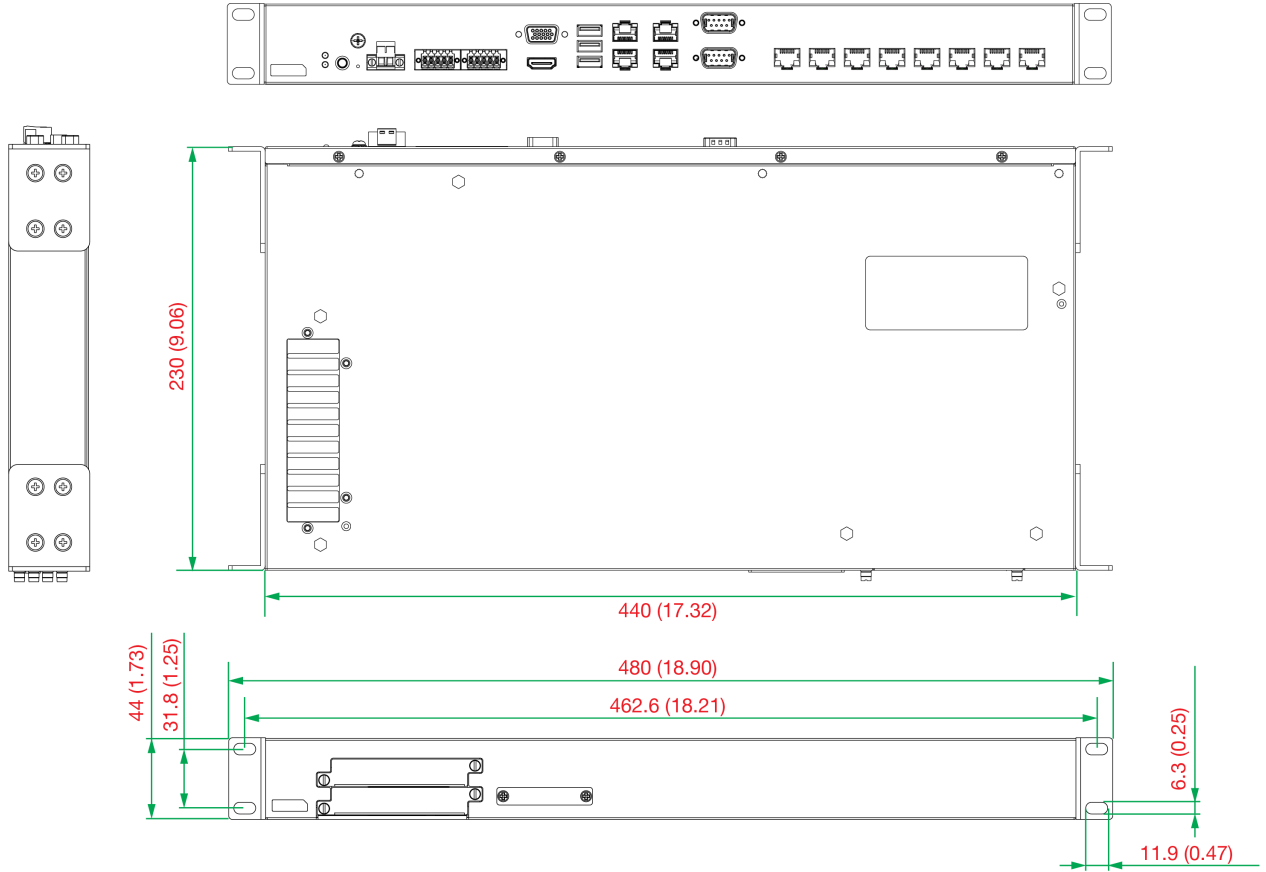
RKP-C110-C1-2HV-T/C3-2HV-T/C5-2HV-T/C7-2HV-T Models

Unit: mm (inch)



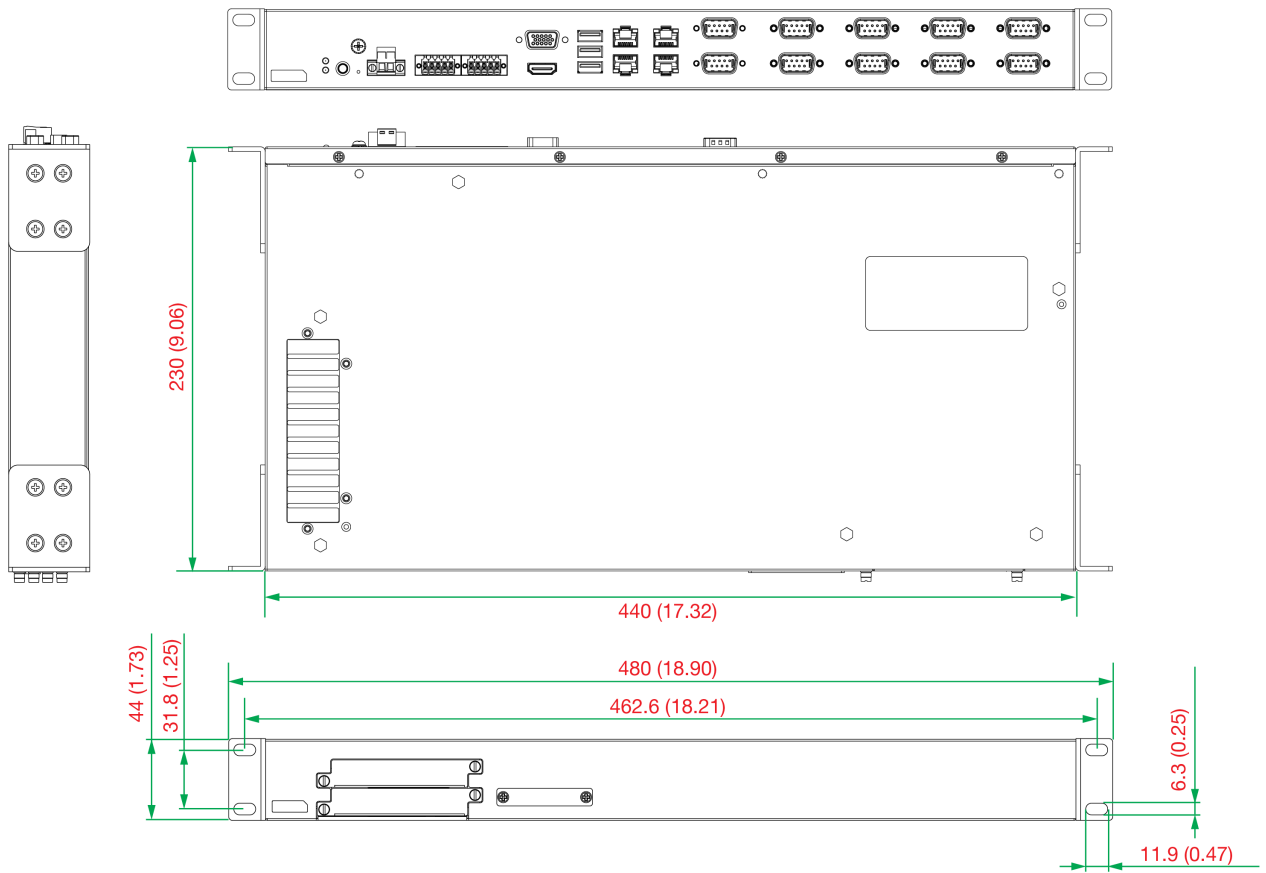
RKP-C110-C1-8L-T/C3-8L-T/C5-8L-T/C7-8L-T Models

Unit: mm (inch)



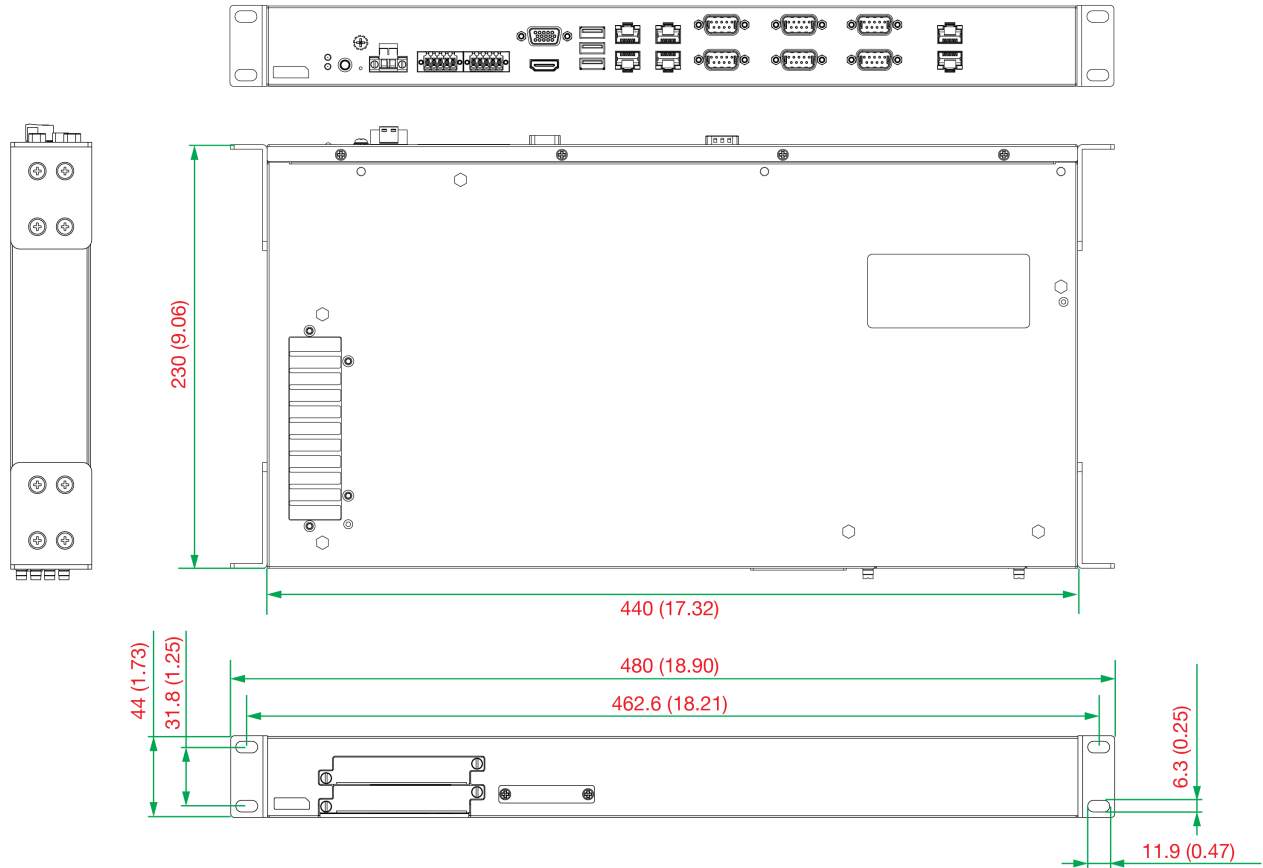
RKP-C110-C1-8C-T/C3-8C-T/C5-8C-T/C7-8C-T Models

Unit: mm (inch)



RKP-C110-C1-2L4C-T/C3-2L4C-T/C5-2L4C-T/C7-2L4C-T Models

Unit: mm (inch)



Ordering Information

| Model Name | CPU | SODIMM | Storage Slots | OS Preinstalled | LAN/Serial | USB 3.0 | DIs/DOs | Video Outputs | Power Input |
|---------------------|-------------------------|--------|---------------|-------------------------|------------|---------|--------------------|---------------------|-------------|
| RKP-C110-C1-T | Intel® Celeron® 6305E | 8 GB | 2 x 2.5" SSD | - | 4/2 | 3 | 8 x DIs 8 x DOs | 1 x VGA 1 x HDMI | 12/24 VDC |
| RKP-C110-C1-T-Win10 | Intel® Celeron® 6305E | 8 GB | 2 x 2.5" SSD | Win 10 LTSC (64 GB SSD) | 4/2 | 3 | 8 x DIs 8 x DOs | 1 x VGA 1 x HDMI | 12/24 VDC |
| RKP-C110-C1-8L-T | Intel® Celeron® 6305E | 8 GB | 2 x 2.5" SSD | - | 12/2 | 3 | 8 x DIs 8 x DOs | 1 x VGA 1 x HDMI | 12/24 VDC |
| RKP-C110-C1-8C-T | Intel® Celeron® 6305E | 8 GB | 2 x 2.5" SSD | - | 4/10 | 3 | 8 x DIs 8 x DOs | 1 x VGA 1 x HDMI | 12/24 VDC |
| RKP-C110-C1-2L4C-T | Intel® Celeron® 6305E | 8 GB | 2 x 2.5" SSD | - | 6/6 | 3 | 8 x DIs 8 x DOs | 1 x VGA 1 x HDMI | 12/24 VDC |
| RKP-C110-C3-T | Intel® Core™ i3-1115G4E | 8 GB | 2 x 2.5" SSD | - | 4/2 | 3 | 8 x DIs 8 x DOs | 1 x VGA 1 x HDMI | 12/24 VDC |
| RKP-C110-C3-T-Win10 | Intel® Core™ i3-1115G4E | 8 GB | 2 x 2.5" SSD | Win 10 LTSC (64 GB SSD) | 4/2 | 3 | 8 x DIs 8 x DOs | 1 x VGA 1 x HDMI | 12/24 VDC |
| RKP-C110-C3-8L-T | Intel® Core™ i3-1115G4E | 8 GB | 2 x 2.5" SSD | - | 12/2 | 3 | 8 x DIs 8 x DOs | 1 x VGA 1 x HDMI | 12/24 VDC |

| Model Name | CPU | SODIMM | Storage Slots | OS Preinstalled | LAN/Serial | USB 3.0 | DIs/ DOs | Video Outputs | Power Input |
|---------------------|-------------------------|--------|---------------|-------------------------|------------|---------|--------------------|---------------------|--------------------|
| RKP-C110-C3-8C-T | Intel® Core™ i3-1115G4E | 8 GB | 2 x 2.5" SSD | - | 4/10 | 3 | 8 x DIs 8 x DOs | 1 x VGA 1 x HDMI | 12/24 VDC |
| RKP-C110-C3-2L4C-T | Intel® Core™ i3-1115G4E | 8 GB | 2 x 2.5" SSD | - | 6/6 | 3 | 8 x DIs 8 x DOs | 1 x VGA 1 x HDMI | 12/24 VDC |
| RKP-C110-C5-T | Intel® Core™ i5-1145G7E | 8 GB | 2 x 2.5" SSD | - | 4/2 | 3 | 8 x DIs 8 x DOs | 1 x VGA 1 x HDMI | 12/24 VDC |
| RKP-C110-C5-T-Win10 | Intel® Core™ i5-1145G7E | 8 GB | 2 x 2.5" SSD | Win 10 LTSC (64 GB SSD) | 4/2 | 3 | 8 x DIs 8 x DOs | 1 x VGA 1 x HDMI | 12/24 VDC |
| RKP-C110-C5-8L-T | Intel® Core™ i5-1145G7E | 8 GB | 2 x 2.5" SSD | - | 12/2 | 3 | 8 x DIs 8 x DOs | 1 x VGA 1 x HDMI | 12/24 VDC |
| RKP-C110-C5-8C-T | Intel® Core™ i5-1145G7E | 8 GB | 2 x 2.5" SSD | - | 4/10 | 3 | 8 x DIs 8 x DOs | 1 x VGA 1 x HDMI | 12/24 VDC |
| RKP-C110-C5-2L4C-T | Intel® Core™ i5-1145G7E | 8 GB | 2 x 2.5" SSD | - | 6/6 | 3 | 8 x DIs 8 x DOs | 1 x VGA 1 x HDMI | 12/24 VDC |
| RKP-C110-C7-T | Intel® Core™ i7-1185G7E | 8 GB | 2 x 2.5" SSD | - | 4/2 | 3 | 8 x DIs 8 x DOs | 1 x VGA 1 x HDMI | 12/24 VDC |
| RKP-C110-C7-T-Win10 | Intel® Core™ i7-1185G7E | 8 GB | 2 x 2.5" SSD | Win 10 LTSC (64 GB SSD) | 4/2 | 3 | 8 x DIs 8 x DOs | 1 x VGA 1 x HDMI | 12/24 VDC |
| RKP-C110-C7-8L-T | Intel® Core™ i7-1185G7E | 8 GB | 2 x 2.5" SSD | - | 12/2 | 3 | 8 x DIs 8 x DOs | 1 x VGA 1 x HDMI | 12/24 VDC |
| RKP-C110-C7-8C-T | Intel® Core™ i7-1185G7E | 8 GB | 2 x 2.5" SSD | - | 4/10 | 3 | 8 x DIs 8 x DOs | 1 x VGA 1 x HDMI | 12/24 VDC |
| RKP-C110-C7-2L4C-T | Intel® Core™ i7-1185G7E | 8 GB | 2 x 2.5" SSD | - | 6/6 | 3 | 8 x DIs 8 x DOs | 1 x VGA 1 x HDMI | 12/24 VDC |
| RKP-C110-C1-2HV-T | Intel® Celeron® 6305E | 8 GB | 2 x 2.5" SSD | - | 4/2 | 3 | 8 x DIs 8 x DOs | 1 x VGA 1 x HDMI | 100 to 240 VAC/VDC |
| RKP-C110-C3-2HV-T | Intel® Core™ i3-1115G4E | 8 GB | 2 x 2.5" SSD | - | 4/2 | 3 | 8 x DIs 8 x DOs | 1 x VGA 1 x HDMI | 100 to 240 VAC/VDC |
| RKP-C110-C5-2HV-T | Intel® Core™ i5-1145G7E | 8 GB | 2 x 2.5" SSD | - | 4/2 | 3 | 8 x DIs 8 x DOs | 1 x VGA 1 x HDMI | 100 to 240 VAC/VDC |
| RKP-C110-C7-2HV-T | Intel® Core™ i7-1185G7E | 8 GB | 2 x 2.5" SSD | - | 4/2 | 3 | 8 x DIs 8 x DOs | 1 x VGA 1 x HDMI | 100 to 240 VAC/VDC |

© Moxa Inc. All rights reserved. Updated Jul 25, 2025.

This document and any portion thereof may not be reproduced or used in any manner whatsoever without the express written permission of Moxa Inc. Product specifications subject to change without notice. Visit our website for the most up-to-date product information.