

IM 模組系列

2 埠 Gigabit 乙太網路和 4 埠快速乙太網路模組，適用於 EDS-728/828 系列



特色與優點

- 模組化設計可讓您從多種組合中選擇
- 模組化設計使得連接埠擴充更容易

認證



簡介

IM 模組系列專為 Moxa 的 EDS-728/828 系列模組化交換器而設計。IM 模組系列包括 6 個快速乙太網路模組，各個模組均有 4 個連接埠，支援 TX、MSC、SSC 和 MST 接頭類型。此外，IM 模組系列包括 2 個 Gigabit 乙太網路模組，一個配備 2 個銅線連接埠，一個配備 2 個光纖連接埠。這些模組皆可與 EDS-728 和 EDS-828 交換器一起使用，因此各個交換器均支援多達 24 個快速乙太網路連接埠和 4 個 Gigabit 乙太網路連接埠。

規格

Ethernet Interface

10/100/1000BaseT(X) Ports (RJ45 connector)	IM-2GTX: 2, Auto negotiation speed, Auto MDI/MDI-X connection
1000BaseSFP Slots	IM-2GSFP: 2
10/100BaseT(X) Ports (RJ45 connector)	IM-2MSC/2TX, IM-2MST/2TX, IM-2SSC/2TX: 2 IM-1LSC/3TX: 3, IM-4TX: 4 Supported functions: Auto negotiation speed Full/Half duplex mode Auto MDI/MDI-X connection
100BaseFX Ports (multi-mode SC connector)	IM-2MSC/2TX: 2 IM-4MSC: 4
100BaseFX Ports (multi-mode ST connector)	IM-2MST/2TX: 2 IM-4MST: 4
100BaseFX Ports (single-mode SC connector)	IM-2SSC/2TX: 2 IM-4SSC: 4

100BaseFX Ports, Single-Mode SC Connector, 80 km	IM-1LSC/3TX: 1				
Optical Fiber	100BaseFX				
	Multi-Mode		Single-Mode		
	Fiber Cable Type	OM1	50/125 μm	G.652	
			800 MHz x km		
	Typical Distance		4 km	5 km	40 km
	Wavelength	Typical (nm)		1300	1310
		TX Range (nm)		1260 to 1360	1280 to 1340
		RX Range (nm)		1100 to 1600	1100 to 1600
	Optical Power	TX Range (dBm)		-10 to -20	0 to -5
		RX Range (dBm)		-3 to -32	-3 to -34
		Link Budget (dB)		12	29
		Dispersion Penalty (dB)		3	1
<p>Note: When connecting a single-mode fiber transceiver, we recommend using an attenuator to prevent damage caused by excessive optical power.</p> <p>Note: Compute the "typical distance" of a specific fiber transceiver as follows: Link budget (dB) > dispersion penalty (dB) + total link loss (dB).</p>					

LED Interface	
LED Indicators	Fast Ethernet Modules: PWR, P1, P2, P3, P4 port status Gigabit Modules: Port status

Power Parameters	
Power Consumption	IM-1LSC/3TX: 2.12 W (max.) IM-2GSFP: 2.96 W (max.) IM-2GTX: 3.04 W (max.) IM-2MSC/2TX, IM-2MST/2TX, IM-2SSC/2TX: 2.06 W (max.) IM-4MSC, IM-4MST, IM-4SSC: 6.6 W (max.) IM-4TX: 1.29 W (max.)

Physical Characteristics	
Housing	IP30
Dimensions	Fast Ethernet Modules: 40 x 127.8 x 100 mm (1.57 x 5.03 x 3.94 in) Gigabit Modules: 24 x 65.9 x 101.1 mm (0.94 x 2.59 x 3.98 in)
Weight	IM-1LSC/3TX: 235 g (0.52 lb) IM-2GSFP: 150 g (0.33 lb) IM-2GTX: 148 g (0.33 lb) IM-2MSC/2TX, IM-2SSC/2TX: 245 g (0.54 lb) IM-2MST/2TX, IM-4MSC: 250 g (0.56 lb) IM-4MST, IM-4SSC: 270 g (0.6 lb) IM-4TX: 215 g (0.48 lb)

MTBF	
Standards	Telcordia (Bellcore), GB

Warranty	
Warranty Period	5 years
Details	See www.moxa.com/tw/warranty

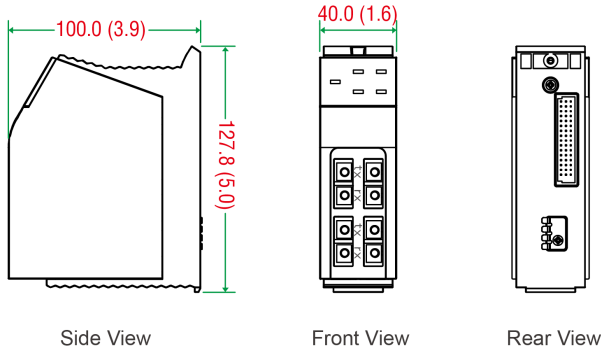
Package Contents

Device	1 x IM Module Series module
Documentation	1 x warranty card

尺寸

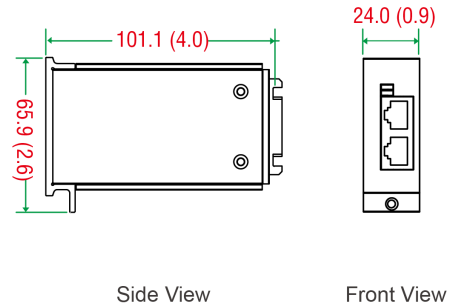
快速乙太網路介面模組

Unit: mm (inch)



Gigabit 乙太網路介面模組

Unit: mm (inch)



訂購資訊

Model Name	10/100/1000BaseT(X) Ports RJ45 Connector	1000Base SFP	10/100BaseT(X) Ports RJ45 Connector	100BaseFX Ports Multi-Mode SC Connector	100BaseFX Ports Multi-Mode ST Connector	100BaseFX Ports Single-Mode SC Connector	100BaseFX Ports Single-Mode SC Connector, 80 km
IM-2GTX	2	-	-	-	-	-	-
IM-2GSFP	-	2	-	-	-	-	-
IM-4TX	-	-	4	-	-	-	-
IM-4MSC	-	-	-	4	-	-	-
IM-4MST	-	-	-	-	4	-	-
IM-2MSC/2TX	-	-	2	2	-	-	-
IM-2MST/2TX	-	-	2	-	2	-	-
IM-4SSC	-	-	-	-	-	4	-
IM-2SSC/2TX	-	-	2	-	-	2	-
IM-1LSC/3TX	-	-	3	-	-	-	1

配件 (選購)

SFP Modules

SFP-1G10ALC	WDM-type (BiDi) SFP module with 1 1000BaseSFP port with LC connector for 10 km transmission; TX 1310 nm, RX 1550 nm, 0 to 60°C operating temperature
SFP-1G10ALC-T	WDM-type (BiDi) SFP module with 1 1000BaseSFP port with LC connector for 10 km transmission; TX 1310 nm, RX 1550 nm, -40 to 85°C operating temperature
SFP-1G10BLC	WDM-type (BiDi) SFP module with 1 1000BaseSFP port with LC connector for 10 km transmission; TX 1550 nm, RX 1310 nm, 0 to 60°C operating temperature
SFP-1G10BLC-T	WDM-type (BiDi) SFP module with 1 1000BaseSFP port with LC connector for 10 km transmission; TX 1550 nm, RX 1310 nm, -40 to 85°C operating temperature
SFP-1G20ALC	WDM-type (BiDi) SFP module with 1 1000BaseSFP port with LC connector for 20 km transmission; TX 1310 nm, RX 1550 nm, 0 to 60°C operating temperature

SFP-1G20ALC-T	WDM-type (BiDi) SFP module with 1 1000BaseSFP port with LC connector for 20 km transmission; TX 1310 nm, RX 1550 nm, -40 to 85°C operating temperature
SFP-1G20BLC	WDM-type (BiDi) SFP module with 1 1000BaseSFP port with LC connector for 20 km transmission; TX 1550 nm, RX 1310 nm, 0 to 60°C operating temperature
SFP-1G20BLC-T	WDM-type (BiDi) SFP module with 1 1000BaseSFP port with LC connector for 20 km transmission; TX 1550 nm, RX 1310 nm, -40 to 85°C operating temperature
SFP-1G40ALC	WDM-type (BiDi) SFP module with 1 1000BaseSFP port with LC connector for 40 km transmission; TX 1310 nm, RX 1550 nm, 0 to 60°C operating temperature
SFP-1G40ALC-T	WDM-type (BiDi) SFP module with 1 1000BaseSFP port with LC connector for 40 km transmission; TX 1310 nm, RX 1550 nm, -40 to 85°C operating temperature
SFP-1G40BLC	WDM-type (BiDi) SFP module with 1 1000BaseSFP port with LC connector for 40 km transmission; TX 1550 nm, RX 1310 nm, 0 to 60°C operating temperature
SFP-1G40BLC-T	WDM-type (BiDi) SFP module with 1 1000BaseSFP port with LC connector for 40 km transmission; TX 1550 nm, RX 1310 nm, -40 to 85°C operating temperature
SFP-1GEZXLC	SFP module with 1 1000BaseEZ port with LC connector for 110 km transmission, 0 to 60°C operating temperature
SFP-1GEZXLC-120	SFP module with 1 1000BaseEZ port with LC connector for 120 km transmission, 0 to 60°C operating temperature
SFP-1GLHLC	SFP module with 1 1000BaseLH port with LC connector for 30 km transmission, 0 to 60°C operating temperature
SFP-1GLHLC-T	SFP module with 1 1000BaseLH port with LC connector for 30 km transmission, -40 to 85°C operating temperature
SFP-1GLHLC	SFP module with 1 1000BaseLH port with LC connector for 30 km transmission, 0 to 60°C operating temperature
SFP-1GLHLC-T	SFP module with 1 1000BaseLH port with LC connector for 30 km transmission, -40 to 85°C operating temperature
SFP-1GLHXL	SFP module with 1 1000BaseLHX port with LC connector for 40 km transmission, 0 to 60°C operating temperature
SFP-1GLHXL-T	SFP module with 1 1000BaseLHX port with LC connector for 40 km transmission, -40 to 85°C operating temperature
SFP-1GLSXL	SFP module with 1 1000BaseLSX port with LC connector for 500 m transmission, 0 to 60°C operating temperature
SFP-1GLSXL-T	SFP module with 1 1000BaseLSX port with LC connector for 500 m transmission, -40 to 85°C operating temperature
SFP-1GLXL	SFP module with 1 1000BaseLX port with LC connector for 10 km transmission, 0 to 60°C operating temperature
SFP-1GLXL-T	SFP module with 1 1000BaseLX port with LC connector for 10 km transmission, -40 to 85°C operating temperature
SFP-1GSXL	SFP module with 1 1000BaseSX port with LC connector for 300/550 m transmission, 0 to 60°C operating temperature
SFP-1GSXL-T	SFP module with 1 1000BaseSX port with LC connector for 300/550 m transmission, -40 to 85°C operating temperature
SFP-1GZXL	SFP module with 1 1000BaseZX port with LC connector for 80 km transmission, 0 to 60°C operating temperature
SFP-1GZXL-T	SFP module with 1 1000BaseZX port with LC connector for 80 km transmission, -40 to 85°C operating temperature

© Moxa Inc. 版權所有.2018 年 11 月 12 日更新。

未經 Moxa Inc. 明確書面許可，不得以任何方式複製或使用本文件及其任何部分。產品規格如有變更，恕不另行通知。請至本公司官網了解最新的產品資訊。