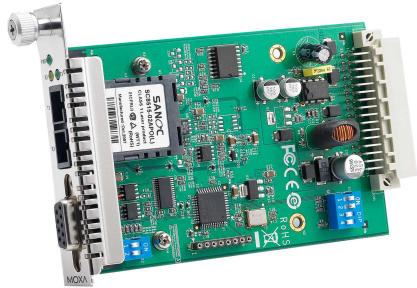


TCF-142-RM 系列

NRack System™ 的 RS-232/422/485 轉光纖滑入式模組



特色與優點

- 可延伸 RS-232/422/485 傳輸距離：使用單模最遠達 40 公里，使用多模最遠達 5 公里
- 1 或 150 kilo-ohm 可調整提升/下拉電阻
- 支援環與點對點的傳輸模式

認證



簡介

TCF-142-RM 系列串列至光纖轉換器為滑入式模組，用於 TRC-190 機箱。此系列模組支援 RS-232、RS-422或 RS-485 的串列信號轉光纖信號。

自動傳輸率偵測

The TCF-142 可以自動偵測串列傳輸率。這是一個非常方便的功能。即使裝置的傳輸率改變，訊號仍將透過轉換器傳輸而且不會遺失任何資料。

規格

Serial Interface

No. of Ports	2																										
Serial Standards	RS-232, RS-422, RS-485																										
Baudrate	50 bps to 921.6 kbps (supports non-standard baudrates)																										
Flow Control	ADDC® (automatic data direction control) for RS-485																										
Connector	DB9 female																										
Optical Fiber	<table border="1"><thead><tr><th></th><th>Low-Speed Fiber Module</th><th>Multi-Mode</th><th>Single-Mode</th></tr></thead><tbody><tr><th rowspan="2">Fiber Cable Requirements</th><td></td><td>50/125 μm, 800 MHz</td><td rowspan="2">G.652</td></tr><tr><td></td><td>62.5/125 μm, 500 MHz</td></tr><tr><th colspan="2">Typical Distance</th><td>5 km</td><td>40 km</td></tr><tr><th rowspan="3">Wavelength</th><th>Typical (nm)</th><td>850</td><td>1310</td></tr><tr><th>TX Range (nm)</th><td>840 to 860</td><td>1290 to 1330</td></tr><tr><th>RX Range (nm)</th><td>800 to 900</td><td>1100 to 1650</td></tr></tbody></table>				Low-Speed Fiber Module	Multi-Mode	Single-Mode	Fiber Cable Requirements		50/125 μ m, 800 MHz	G.652		62.5/125 μ m, 500 MHz	Typical Distance		5 km	40 km	Wavelength	Typical (nm)	850	1310	TX Range (nm)	840 to 860	1290 to 1330	RX Range (nm)	800 to 900	1100 to 1650
	Low-Speed Fiber Module	Multi-Mode	Single-Mode																								
Fiber Cable Requirements		50/125 μ m, 800 MHz	G.652																								
		62.5/125 μ m, 500 MHz																									
Typical Distance		5 km	40 km																								
Wavelength	Typical (nm)	850	1310																								
	TX Range (nm)	840 to 860	1290 to 1330																								
	RX Range (nm)	800 to 900	1100 to 1650																								

		Low-Speed Fiber Module	Multi-Mode	Single-Mode
		Fiber Cable Requirements		50/125 μ m, 800 MHz
Optical Power			62.5/125 μ m, 500 MHz	
		TX Range (dBm)	0 to -5	0 to -5
		RX Range (dBm)	0 to -20	0 to -25
		Link Budget (dB)	15	20
	Dispersion Penalty (dB)	1	1	
Note: When using a power meter to measure the fiber TX power, set the baudrate to 9,600 bps and send data (00, ..., 0h) to the serial converter's serial port.				

Pull High/Low Resistor for RS-485	1 kilo-ohm, 150 kilo-ohms
RS-485 Data Direction Control	ADDC® (automatic data direction control)
Terminator for RS-485	N/A, 120 ohms, 120 kilo-ohms

Serial Signals

RS-232	TxD, RxD, GND
RS-422	Tx+, Tx-, Rx+, Rx-, GND
RS-485-4w	Tx+, Tx-, Rx+, Rx-, GND
RS-485-2w	Data+, Data-, GND

Power Parameters

Input Current	150 mA @ 12 VDC
Overload Current Protection	Supported
Power Consumption	150 mA @ 12 VDC

Physical Characteristics

Housing	Metal
IP Rating	IP30
Dimensions	86.8 x 136.5 x 21 mm (3.42 x 5.37 x 0.83 in)
Weight	105 g (0.23 lb)

Environmental Limits

Operating Temperature	0 to 60°C (32 to 140°F)
Storage Temperature (package included)	-20 to 75°C (-4 to 167°F)
Ambient Relative Humidity	5 to 95% (non-condensing)

Standards and Certifications

EMC	EN 55032/24
EMI	CISPR 32, FCC Part 15B Class A
EMS	IEC 61000-4-2 ESD: Contact: 4 kV; Air: 8 kV IEC 61000-4-3 RS: 80 MHz to 1 GHz: 3 V/m IEC 61000-4-4 EFT: Power: 1 kV; Signal: 0.5 kV IEC 61000-4-5 Surge: Power: 1 kV; Signal: 0.5 kV IEC 61000-4-6 CS: 150 kHz to 80 MHz: 3 V/m; Signal: 3 V/m

	IEC 61000-4-8 PFMF
Environmental Testing	IEC 60068-2-1 IEC 60068-2-2 IEC 60068-2-3
Safety	EN 60950-1, IEC 60950-1
Vibration	IEC 60068-2-6

MTBF

Time	514,926 hrs
Standards	Telcordia (Bellcore), GB

Warranty

Warranty Period	5 years
Details	See www.moxa.com/tw/warranty

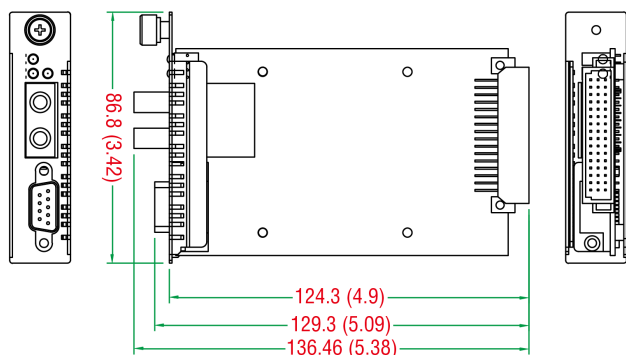
Package Contents

Device	1 x TCF-142-RM Series converter
Documentation	1 x quick installation guide 1 x warranty card

尺寸

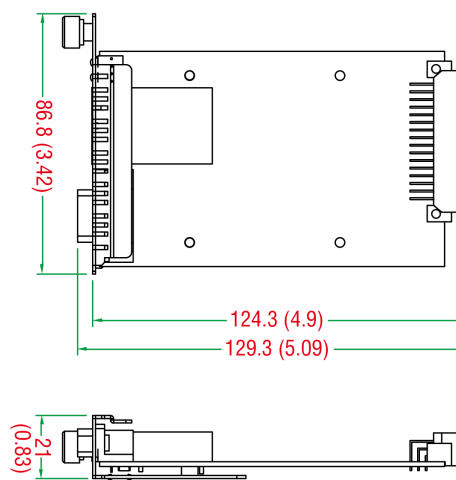
TCF-142-M/S-ST-RM Series

單位：公釐 (英吋)



TCF-142-M/S-SC-RM Series

單位：公釐 (英吋)



訂購資訊

Model Name	Fiber Module Type
TCF-142-M-ST-RM	Multi-mode ST
TCF-142-M-SC-RM	Multi-mode SC
TCF-142-S-ST-RM	Single-mode ST
TCF-142-S-SC-RM	Single-mode SC

© Moxa Inc. 版權所有.2019年1月18日更新。

未經 Moxa Inc. 明確書面許可，不得以任何方式複製或使用本文件及其任何部分。產品規格如有變更，恕不另行通知。請至本公司官網了解最新的產品資訊。