

BST-1000 Series

Industrial Cellular Signal Boosters



Features and Benefits

- Industrial-grade signal booster for 5G user equipment
- Compact size for easy installation
- Easy integration with Moxa 5G user equipment
- Stabilizes and improves low-power 5G signal environment
- -40 to 70°C wide-temperature design

Introduction

The 5G NR (New Radio) Tx and Rx booster is a cellular radio front-end accessory designed to cope with the challenges associated with signal attenuation, interference, coverage, and field site deployment signal cable loss limitations. The booster uses the advanced technology that enhances the performance and coverage of cellular 5G networks from 5G UE (user equipment). It operates by amplifying and extending the transmitting capabilities of the 5G UE. The signal quality and network capacity of the 5G UE will be improved significantly. In addition, this booster accessory enhances user experience and offers greater efficiency in 5G network communication.

Specifications

Cellular Interface

Cellular Antenna Connectors	5 x SMA(J)
Frequency Bands Supported	n79

LED Indicators

System	Power, Ready, T/Rx
--------	--------------------

Power Parameters

Source of Input Power	9-24 VDC
-----------------------	----------

Physical Characteristics

Dimensions	116.3 x 96.8 x 24.7 mm (4.58 x 3.81 x 0.97 in)
Housing	Metal
IP Rating	IP30
Weight	370 g (0.816 lb)
Installation	DIN-rail mounting Wall mounting (with optional kit)

Environmental Limits

Operating Temperature	-40 to 70°C (-40 to 158°F)
Storage Temperature	-40 to 85°C (-40 to 185°F)
Ambient Relative Humidity	5 to 95% (non-condensing)

MTBF

Time	6,570,917 hrs
Standards	Telcordia Standard SR-332

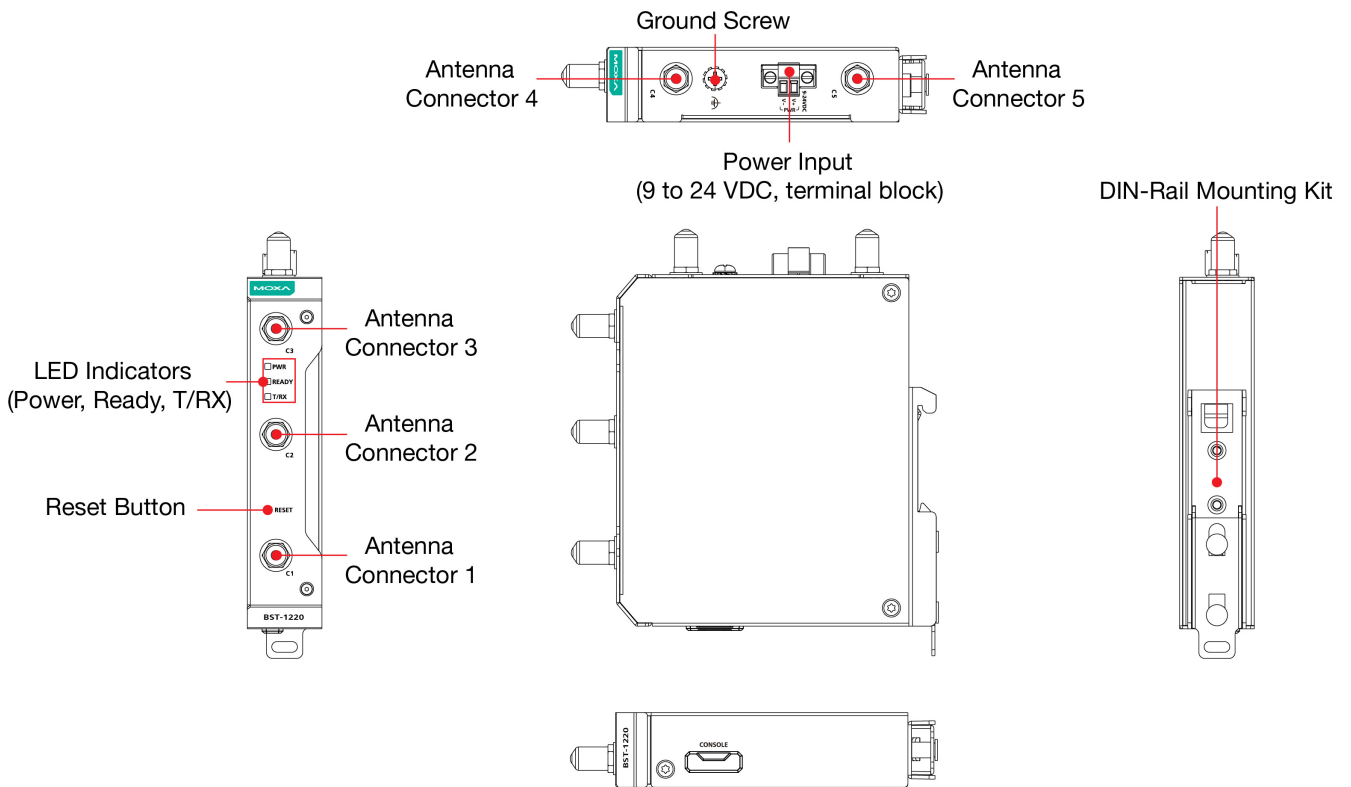
Warranty

Warranty Period	5 years
Details	See www.moxa.com/warranty

Package Contents

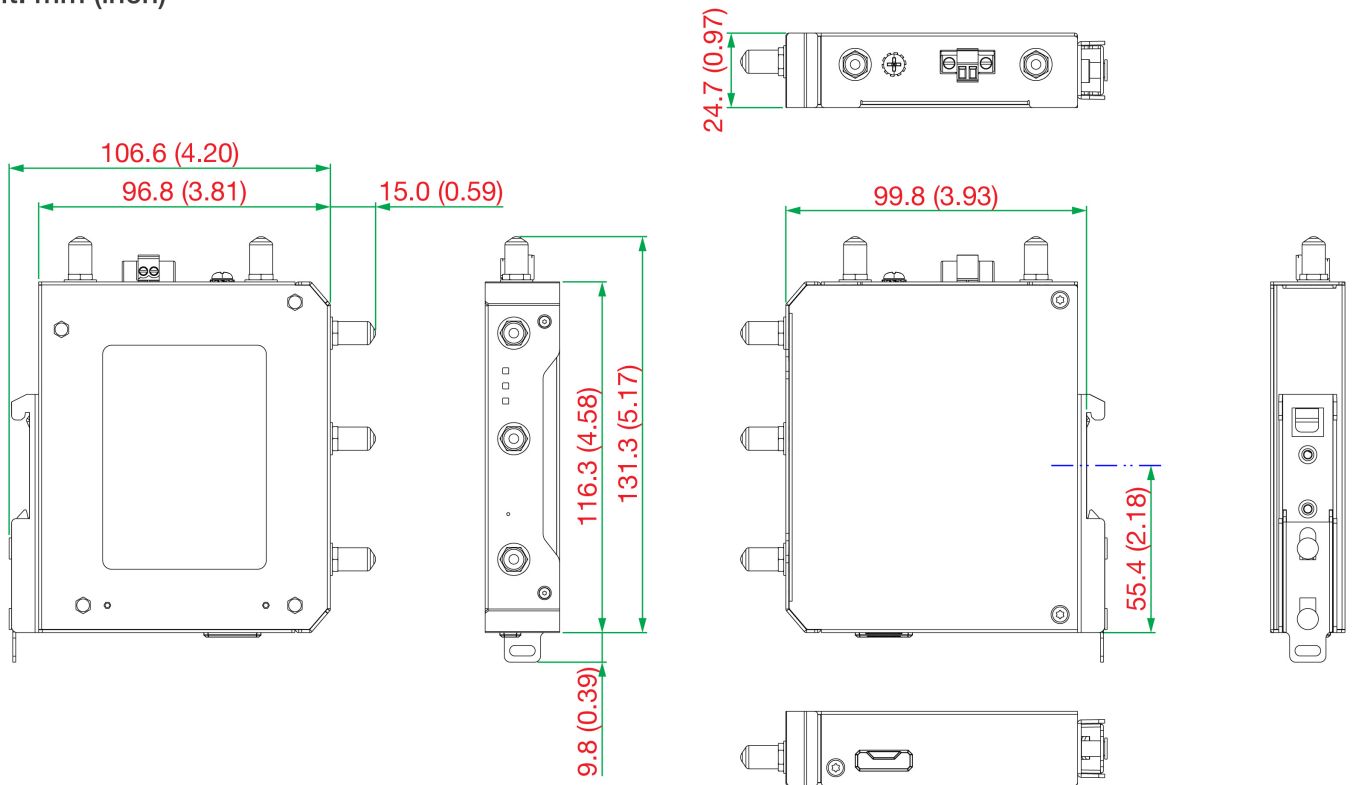
Device	1 x BST-1000 Series
Documentation	1 x quick installation guide

Appearance



Dimensions

Unit: mm (inch)



Ordering Information

Model Name	Cellular Bands	Operating Temp.
BST-1220-T	n79	-40 to 70°C

Accessories (sold separately)

Wall-Mounting Kits

WK-24-01	Wall-mounting kit with 1 plate (178 x 24 x 10.5 mm)
----------	---

© Moxa Inc. All rights reserved. Updated May 19, 2025.

This document and any portion thereof may not be reproduced or used in any manner whatsoever without the express written permission of Moxa Inc. Product specifications subject to change without notice. Visit our website for the most up-to-date product information.