

# DA-681C 系列

配備第 7 代 Intel® Core™ CPU、6 個千兆乙太網路連接埠和 12 個隔離串列埠並且符合 IEC-61850 標準的 1U 機架安裝電腦



## 特色與優點

- 符合 IEC 61850-3、IEEE 1613 及 IEC 60255 標準，適用於變電站自動化系統
- 符合 EN 50121-4 標準，適合鐵路沿線應用
- 第 7 代 Intel® Core™ 處理器
- DDR4 記憶體插槽；最高容量可達 32 GB
- 備援電源系統 ( 100 至 240 VAC/VDC )

## 認證



EN 50121-4



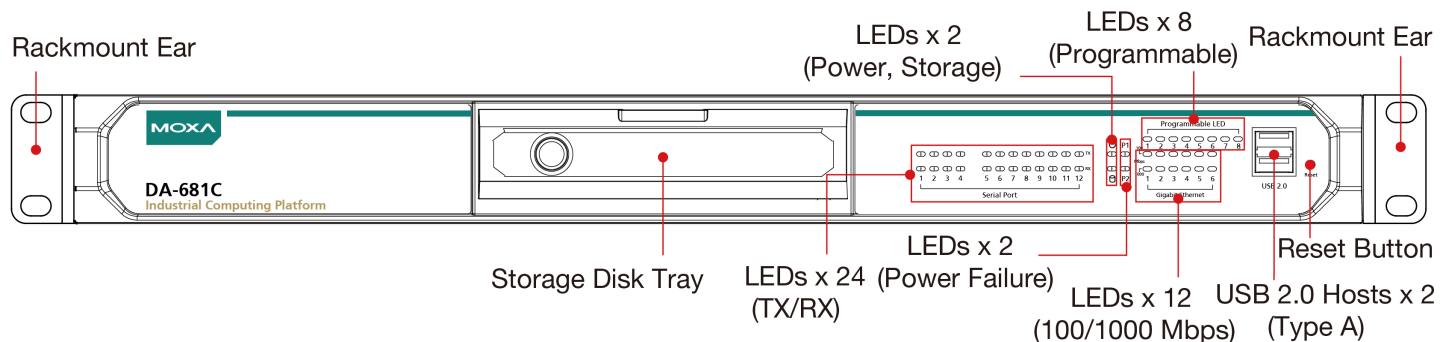
## 簡介

DA-681C 電腦搭載 Intel® Celeron® 或 Intel® Core™ i3 CPU，並配備雙顯示埠 ( 2 個 HDMI )、5 個 USB 連接埠、6 個千兆 LAN 連接埠、兩個三合一 RS-232/422/485 串列埠、10 個 RS-485 串列埠、6 個數位輸入埠，以及 2 個數位輸出埠。此外，還包含一個 2.5 吋硬碟 / 固態硬碟插槽和一個 mSATA 插槽，可為需要大量儲存空間進行邊緣資料擷取的工業應用擴充儲存容量。

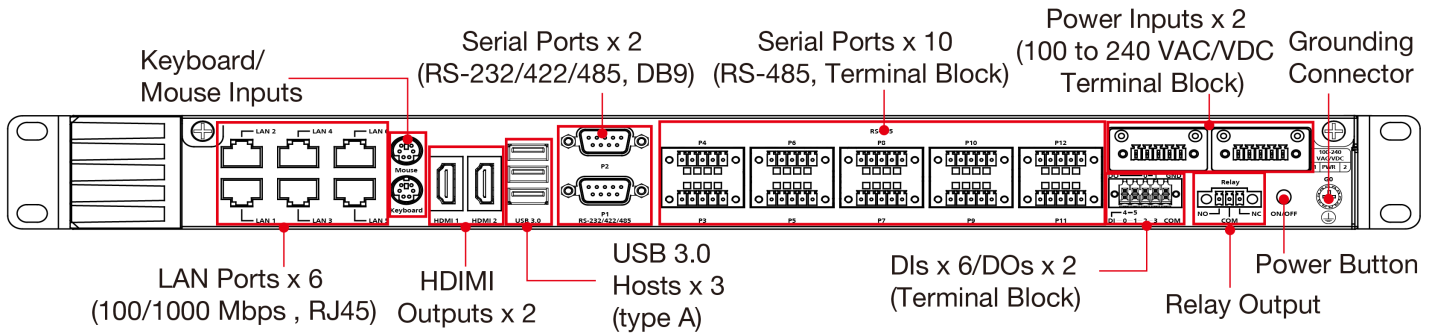
由於符合 IEC 61850-3 及 IEEE 1613 標準，DA-681C 無疑能夠為電力應用提供穩定可靠的系統運作。此外，DA-681C 符合 EN 50121-4 標準，因此能夠在軌道沿線應用中提供穩定可靠的系統運作，例如車站 SCADA 系統、鐵路沿線災難預防、牽引動力、訊號和安全系統，讓您完整掌握智慧型鐵道配置。

## 外觀

### Front View



## Rear View



## 規格

### Computer

CPU	Intel® Core™ i3-7100U Processor (2M Cache, 2.4 GHz) Intel® Celeron® 3965U Processor (2M Cache, 2.2 GHz)
System Memory Slot	SODIMM DDR4 slot x 2
DRAM	32 GB max. capacity (SODIMM x 2, each supporting 2400 MHz and 16 GB maximum per module)
Graphics Controller	Intel® HD Graphics 630
Storage Slot	2.5-inch HDD/SSD slots x 1
Supported OS	Windows 10 Embedded IoT Ent 2019 LTSC 64-bit Linux Debian 9 Note: OS available by CTOS

### Computer Interface

USB 2.0	USB 2.0 hosts x 3, type-A connectors 2 ports on the front panel, 1 port inside the computer
USB 3.0	USB 3.0 hosts x 3, type-A connectors 3 ports on the rear panel
Video Output	HDMI x 2, HDMI connector (type A)
Serial Ports	RS-232/422/485 ports x 2, software-selectable (terminal block)
Ethernet Ports	Auto-sensing 10/100/1000 Mbps ports (RJ45 connector) x 6

### LED Indicators

System	Programmable x 8 Storage x 1 Power x 1
LAN	2 per port (10/100/1000 Mbps)
Serial	2 per port (Tx, Rx)

### Serial Interface

Baudrate	183 bps to 115.2 kbps
Connector	Terminal block
ESD	8 kV (level 4)
Isolation	2 kV

Serial Standards	RS-232/422/485
Surge	2 kV
<b>Serial Signals</b>	
RS-232	TxD, RxD, RTS, CTS, DTR, DSR, DCD, GND
RS-422	Tx+, Tx-, Rx+, Rx-, GND
RS-485-2w	Data+, Data-, GND
RS-485-4w	Tx+, Tx-, Rx+, Rx-, GND
<b>Power Parameters</b>	
Power Button	Reset button (front panel) ON/OFF (rear panel)
Power Consumption	100 W (max.)
<b>Physical Characteristics</b>	
Housing	Metal
Dimensions (without ears)	440 x 316 x 44 mm (17.32 x 12.44 x 1.73 in)
Weight	9,000 g (21.82 lb)
Installation	19-inch rack mounting
<b>Environmental Limits</b>	
Operating Temperature	-40 to 70°C (-40 to 158°F)
Storage Temperature (package included)	-40 to 85°C (-40 to 185°F)
Ambient Relative Humidity	5 to 95% (non-condensing)
<b>Standards and Certifications</b>	
EMC	EN 55032/35
EMI	CISPR 32, FCC Part 15B Class A
EMS	IEC 61000-4-2 ESD: Contact: 8 kV; Air: 15 kV IEC 61000-4-3 RS: 80 MHz to 1 GHz: 10 V/m IEC 61000-4-4 EFT: Power: 4 kV; Signal: 4 kV IEC 61000-4-5 Surge: Power: 4 kV; Signal: 4 kV IEC 61000-4-6 CS: 10 V IEC 61000-4-8: 20 A/m IEC 61000-4-11
Power Substation	IEC 61850-3, IEEE 1613
Protection Relay	IEC 60255
Shock	IEC 61850-3 Edition 2.0, IEC 60068-2-27, IEC 60255-21-2
Safety	UL 62368-1
<b>Declaration</b>	
Green Product	RoHS, CRoHS, WEEE
<b>MTBF</b>	
Time	285,419 hrs
Standards	Telcordia SR332

## Warranty

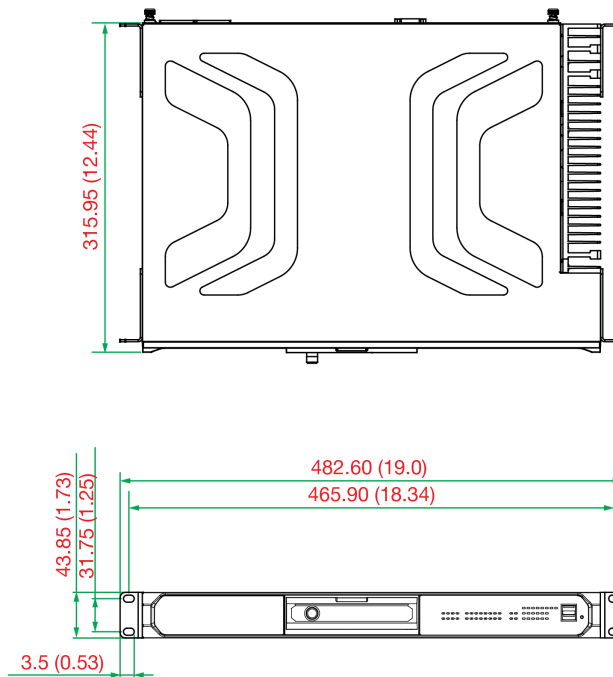
Warranty Period	3 years
Details	See <a href="http://www.moxa.com/tw/warranty">www.moxa.com/tw/warranty</a>

## Package Contents

Device	1 x DA-681C Series computer
Installation Kit	1 x rack-mounting ear
Documentation	1 x quick installation guide 1 x warranty card
Note	This product requires additional modules (sold separately) to function.

## 尺寸

單位：公釐 (英吋)



## 訂購資訊

Model Name	CPU	Power Input 100-240 VAC/VDC	Operating Temp.
DA-681C-KL1-H-T	Intel® Celeron® 3965U	Single	-40 to 70°C
DA-681C-KL1-HH-T	Intel® Celeron® 3965U	Dual	-40 to 70°C
DA-681C-KL3-HH-T	Intel® Core™ i3-7100U	Dual	-40 to 70°C

© Moxa Inc. 版權所有. 2020 年 7 月 7 日 更新。

未經 Moxa Inc. 明確書面許可，不得以任何方式複製或使用本文件及其任何部分。產品規格如有變更，恕不另行通知。請至本公司官網了解最新的產品資訊。