

# UC-8200シリーズ

Arm Cortex-A7デュアルコア1 GHz IIoTゲートウェイと内蔵LTE Cat.4、Wi-Fiモジュール用のミニPCIe拡張スロット x 1、CANポート x 1、DI x 4、DO x 4



## 機能と特長

- Armv7 Cortex-A7 デュアルコア 1 GHz
- ISASecure IEC 62443-4-2セキュリティレベル2認定、Moxa Industrial Linux 3 Secure
- Moxa Industrial Linuxを搭載（10年間の超長期サポート付き）
- Verizon/AT&T認定および産業用CE/FCC/UL認定を取得したLTE対応コンピュータ
- デュアルSIMスロット
- 自動検出10/100/1000 Mbpsイーサネットポート x 2
- 統合LTE Cat.4モジュールおよびUS/EU/APAC帯域をサポート
- 1つのCANポートでCAN 2.0A/Bをサポート
- ストレージ拡張用のmicroSDソケット
- -40~85°Cの広い温度範囲、-40~70°C（LTE対応）

## 認証



## 製品紹介

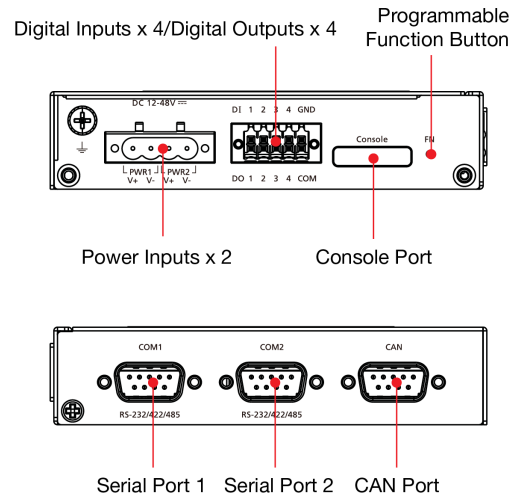
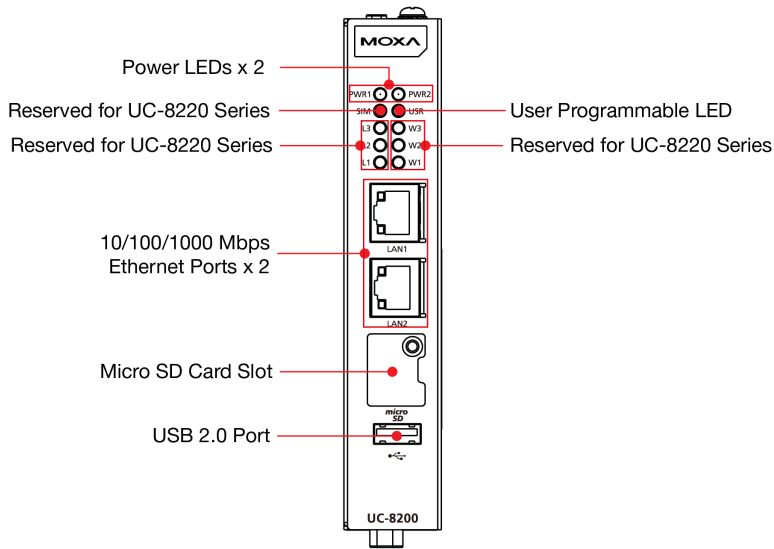
UC-8200のコンピューティングプラットフォームは、組み込みデータ収集アプリケーション向けに設計されています。コンピュータは、デュアルRS-232/422/485シリアルポート、デュアル10/100/1000 Mbpsイーサネットポート、1つのCANポート、およびWi-Fi/セルラーモジュールをサポートするためのデュアルmini PCIeソケットを搭載しています。この多彩な機能により、ユーザーはUC-8200をさまざまな複雑な通信ソリューションに効率的に適応させることができます。

UC-8200はエネルギー監視システムでの使用に最適化されたCortex-A7デュアルコアプロセッサを中心に構築されていますが、さまざまな産業ソリューションに広く適用可能です。柔軟なインターフェースオプションを備えたこの小型の組み込みコンピュータは、現場サイトでのデータ取得と処理向けに信頼性と安全性の高いゲートウェイを提供し、他の多くの大規模な導入にも有効な通信プラットフォームです。

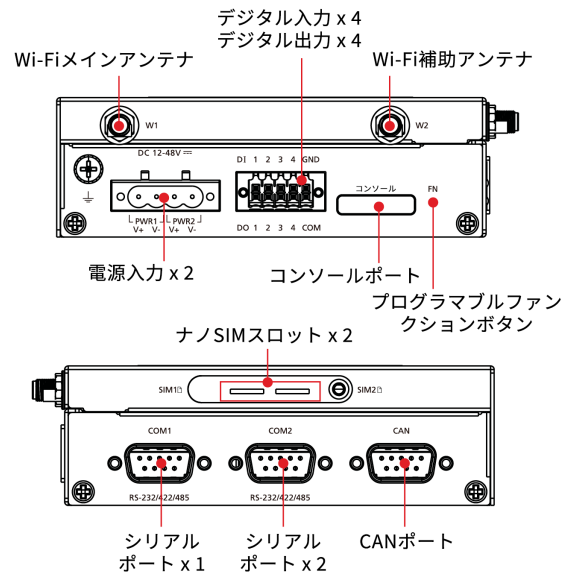
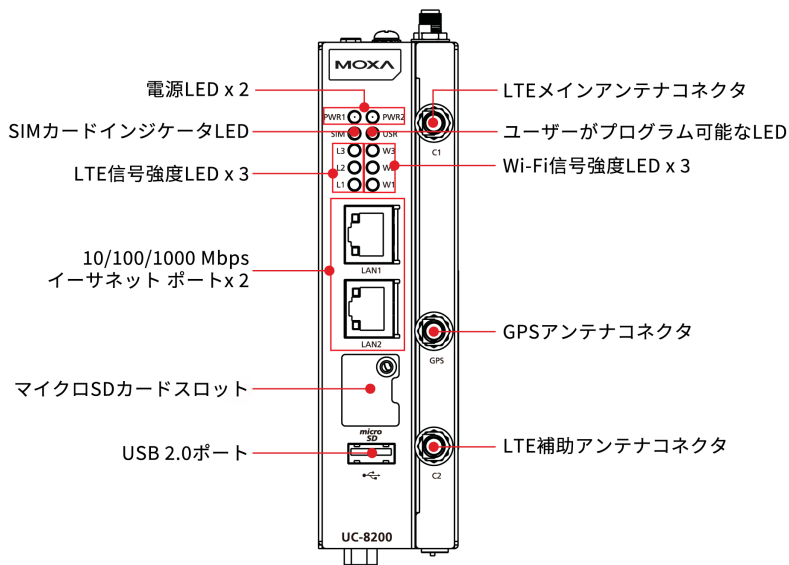
広温度サポートのLTE対応モデルは、広範囲の温度アプリケーションに使用できます。すべてのユニットはテストチャンバーで厳密に試験されており、LTE対応のコンピューティングプラットフォームが広温度環境に適していることが保証されています。

## 外観

### UC-8210



### UC-8220



## 仕様

### Computer

CPU	Armv7 Cortex-A7 dual-core 1 GHz
DRAM	2 GB DDR3L
Supported OS	Moxa Industrial Linux 1 (Debian 9, kernel 4.4), 2027 EOL Moxa Industrial Linux 3 <sup>1</sup> (Debian 11, kernel 5.10), 2031 EOL See <a href="http://www.moxa.com/MIL">www.moxa.com/MIL</a>
Storage Pre-installed	8 GB eMMC
Expansion Slots	MicroSD (SD 3.0) socket x 1

1. CTOモデルでは、Moxaコンピュータ構成システム (CCS) を介してMIL3 OSを選択できます。モデル名については、データシートPDFファイルの注文情報セクションを参照してください。

## Computer Interface

Ethernet Ports	Auto-sensing 10/100/1000 Mbps ports (RJ45 connector) x 2
Serial Ports	RS-232/422/485 ports x 2, software selectable (DB9 male)
CAN Ports	CAN 2.0 A/B x 1 (DB9 male)
Digital Input	DIs x 4
Digital Output	DOs x 4
USB 2.0	USB 2.0 hosts x 1, type-A connectors
Wi-Fi Antenna Connector	UC-8220 Models: RP-SMA x 2
Cellular Antenna Connector	UC-8220 Models: SMA x 2
GPS Antenna Connector	UC-8220 Models: SMA x 1
Expansion Slots	UC-8220-T-LX: mPCIe slot x 2 UC-8220-T-LX US/EU/AP Models: mPCIe slot x 1
SIM Format	UC-8220 Models: Nano
Number of SIMs	UC-8220 Models: 2
Buttons	Programmable button
TPM	TPM v2.0

## Ethernet Interface

Magnetic Isolation Protection	1.5 kV (built-in)
-------------------------------	-------------------

## Security Functions

Hardware-based Security	TPM 2.0 Hardware Root of Trust Secure Boot
Intrusion Detection	Host-based Intrusion Detection
Security Tools	Security Diagnostic Tool Security Event Auditing Secure Update
Disk Protection	LUKS Disk Encryption
Recovery	One-step recovery to the last known secure state Dual-system design with automatic failback
Reliability	Network Keep Alive Network Failover and Failback

## Serial Interface

Baudrate	300 bps to 921.6 kbps
Data Bits	7, 8
Stop Bits	1, 2
Parity	None, Even, Odd, Space, Mark
Flow Control	RTS/CTS, XON/XOFF ADDC (automatic data direction control) for RS-485 RTS Toggle (RS-232 only)
Console Port	1 x 4-pin header to DB9 console port

## Serial Signals

RS-232	TxD, RxD, RTS, CTS, DTR, DSR, DCD, GND
RS-422	Tx+, Tx-, Rx+, Rx-, GND
RS-485-2w	Data+, Data-, GND

## CAN Interface

No. of Ports	1
Connector	DB9 male
Baudrate	10 to 1000 kbps
Industrial Protocols	CAN 2.0A CAN 2.0B
Isolation	2 kV (built-in)
Signals	CAN_H, CAN_L, CAN_GND, CAN_SHLD, CAN_V+, GND

## Digital Inputs

Connector	Screw-fastened Euroblock terminal
Dry Contact	Off: open On: short to GND
Isolation	3K VDC
Sensor Type	Wet contact (NPN) Dry contact
Wet Contact (DI to COM)	On: 10 to 30 VDC Off: 0 to 3 VDC

## Digital Outputs

Connector	Screw-fastened Euroblock terminal
Current Rating	200 mA per channel
I/O Type	Sink
Voltage	24 VDC nominal, open collector to 30 VDC

## Cellular Interface

Cellular Standards	LTE Cat. 4
Band Options	<p>US Models: LTE Band 2 (1900 MHz) / LTE Band 4 (1700 MHz) / LTE Band 5 (850 MHz) / LTE Band 13 (700 MHz) / LTE Band 17 (700 MHz) UMTS/HSPA 850 MHz / 1900 MHz Carrier Approval: Verizon, AT&amp;T</p> <p>EU Models: LTE Band 1 (2100 MHz) / LTE Band 3 (1800 MHz) / LTE Band 5 (850 MHz) / LTE Band 7 (2600 MHz) / LTE Band 8 (900 MHz) / LTE Band 20 (800 MHz) UMTS/HSPA 850 MHz / 900 MHz / 1900 MHz / 2100 MHz</p> <p>AP Models: LTE Band 1 (2100 MHz) / LTE Band 3 (1800 MHz) / LTE Band 5 (850 MHz) / LTE Band 7 (2600 MHz) / LTE Band 8 (900 MHz) / LTE Band 28 (700 MHz) UMTS/HSPA 850 MHz / 900 MHz / 1900 MHz / 2100 MHz</p>

## GPS Interface

Receiver Types	GPS/GLONASS/Galileo State-of-the-art GNSS solution
Accuracy	Position: 2.0 m @CEP50
Acquisition	Hot starts: 1.1 sec Cold starts: 29.94 sec
Sensitivity	Cold starts: -145 dBm Tracking: -160 dBm
Time Pulse	0.25 Hz to 10 MHz

## LED Indicators

System	Power x 2 Programmable x 1 SIM card indicator x 1
Wireless Signal Strength	Cellular/Wi-Fi x 6

## Power Parameters

No. of Power Inputs	Redundant dual inputs
Input Voltage	12 to 48 VDC
Power Consumption	10 W
Input Current	0.8 A @ 12 VDC

## Reliability

Alert Tools	External RTC (real-time clock)
Automatic Reboot Trigger	External WDT (watchdog timer)

## Physical Characteristics

Dimensions	UC-8220 Models: 141.5 x 120 x 39 mm (5.7 x 4.72 x 1.54 in) UC-8210 Models: 141.5 x 120 x 27 mm (5.7 x 4.72 x 1.06 in) 141.5 x 120 x 27 mm (5.7 x 4.72 x 1.06 in)
Weight	UC-8210 Models: 560 g (1.23 lb) UC-8220 Models: 750 g (1.65 lb)
Housing	SECC Metal
IP Rating	IP30
Installation	DIN-rail mounting Wall mounting (with optional kit)

## Environmental Limits

Operating Temperature	-40 to 70°C (-40 to 158°F)
Storage Temperature (package included)	-40 to 85°C (-40 to 185°F)
Ambient Relative Humidity	5 to 95% (non-condensing)
Shock	IEC 60068-2-27
Vibration	2 Grms @ IEC 60068-2-64, random wave, 5-500 Hz, 1 hr per axis (without USB devices attached)

## Standards and Certifications

EMC	EN 55032/35 EN 61000-6-2/-6-4
EMI	CISPR 32, FCC Part 15B Class A
EMS	IEC 61000-4-2 ESD: Contact: 4 kV; Air: 8 kV IEC 61000-4-3 RS: 80 MHz to 1 GHz: 10 V/m IEC 61000-4-4 EFT: Power: 2 kV; Signal: 1 kV IEC 61000-4-6 CS: 10 V IEC 61000-4-8 PFMF IEC 61000-4-5 Surge: Power: 0.5 kV; Signal: 1 kV
Industrial Cybersecurity	IEC 62443-4-1 IEC 62443-4-2
Hazardous Locations	Class I Division 2 ATEX IECEX
Carrier Approvals	Verizon AT&T
Safety	UL 62368-1 EN 62368-1
Green Product	RoHS, CRoHS, WEEE

## MTBF

Time	UC-8210-T-LX-S: 708,581 hrs UC-8220-T-LX: 650,836 hrs UC-8220-T-LX-US-S/EU-S/AP-S: 528,574 hrs
Standards	Telcordia (Bellcore) Standard TR/SR

## Warranty

Warranty Period	5 years
Details	See <a href="http://www.moxa.com/jp/warranty">www.moxa.com/jp/warranty</a>

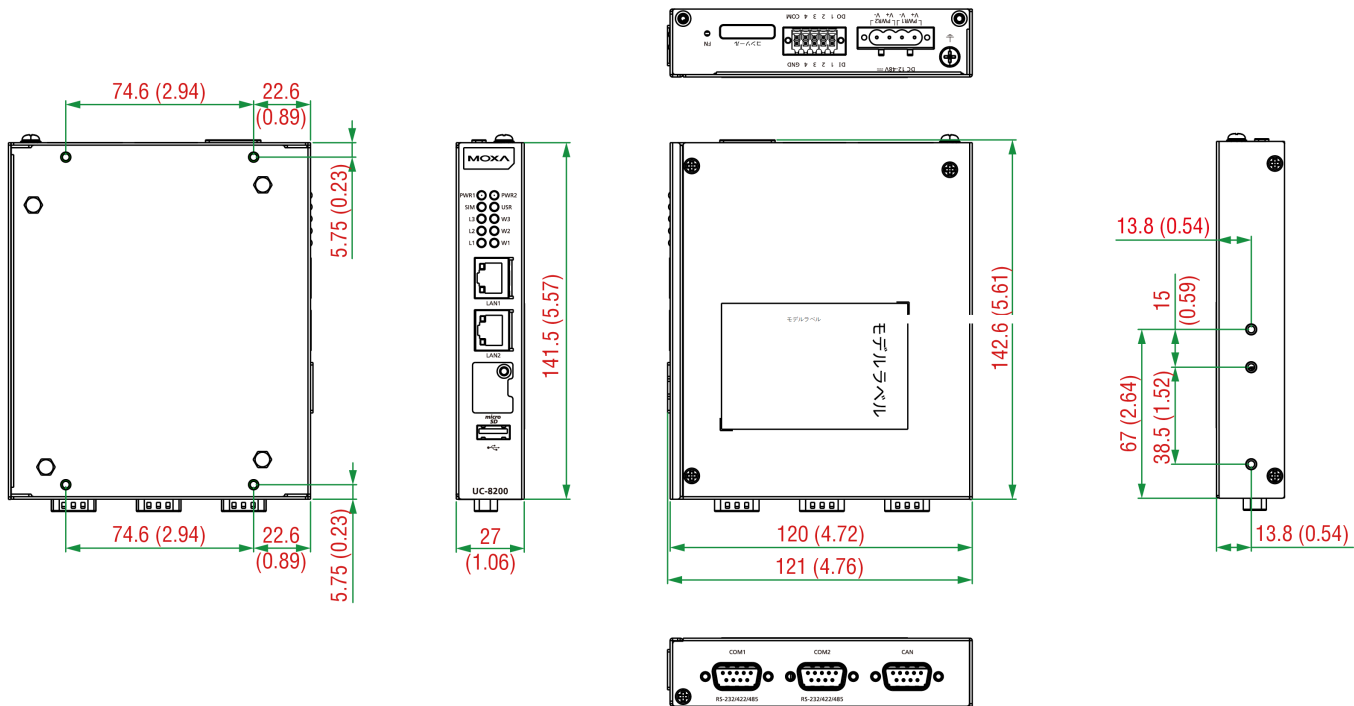
## Package Contents

Device	1 x UC-8200 Series computer
Documentation	1 x quick installation guide 1 x warranty card
Installation Kit	1 x DIN-rail kit (preinstalled) 1 x power jack 6 x M2.5 mounting screws for the cellular module
Cable	1 x console cable

# 寸法

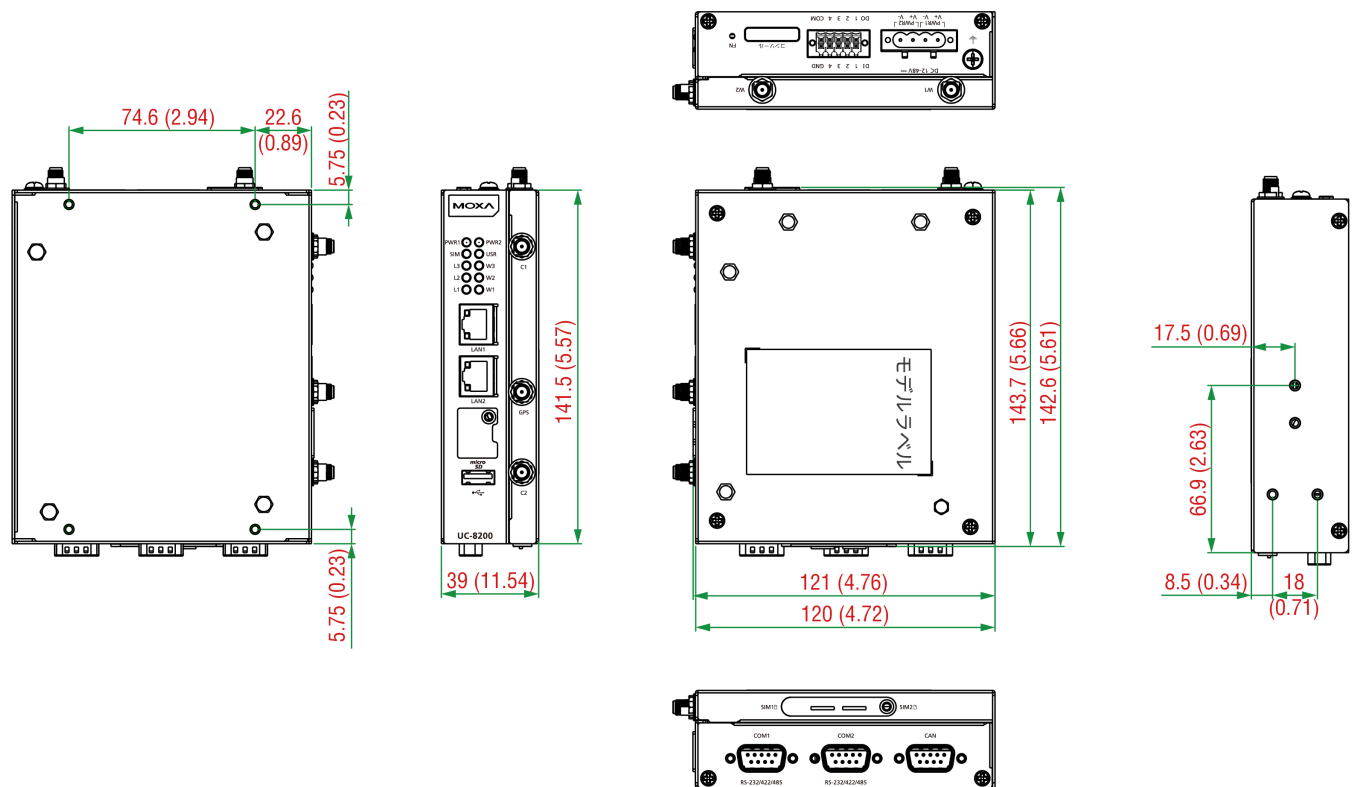
## UC-8210

単位: mm (インチ)



## UC-8220

単位: mm (インチ)



## 注文情報

Model Name	Operating System	IEC 62443-4-2	CPU	TPM	mPCIe Slot 1 for LTE Module	mPCIe Slot 2 for Wi-Fi Module	Operating Temperature
UC-8210-T-LX-S	Default: MIL1 (-Debian 9), 2027 EOL Order With Model UC-8210-T-LX-S (CTO): MIL3 (Debian 11) Secure/Standard, 2031 EOL	With MIL3 Secure	1 GHz Dual Core	Built in	-	-	-40 to 85°C
UC-8220-T-LX	Default: MIL1 (-Debian 9), 2027 EOL Order With Model UC-8220-T-LX (CTO): MIL3 (Debian 11) Secure/Standard, 2031 EOL	With MIL3 Secure	1 GHz Dual Core	Built in	Reserved	Reserved	-40 to 70°C
UC-8220-T-LX-US-S	Default: MIL1 (-Debian 9), 2027 EOL Order With Model UC-8220-T-LX-US-S (CTO): MIL3 (Debian 11) Secure/Standard, 2031 EOL	With MIL3 Secure	1 GHz Dual Core	Built in	US region LTE module preinstalled	Reserved	-40 to 70°C
UC-8220-T-LX-EU-S	Default: MIL1 (-Debian 9), 2027 EOL Order With Model UC-8220-T-LX-EU-S (CTO): MIL3 (Debian 11) Secure/Standard, 2031 EOL	With MIL3 Secure	1 GHz Dual Core	Built in	Europe region LTE module preinstalled	Reserved	-40 to 70°C
UC-8220-T-LX-AP-S	Default: MIL1 (-Debian 9), 2027 EOL Order With Model UC-8220-T-LX-AP-S (CTO): MIL3 (Debian 11) Secure/Standard, 2031 EOL	With MIL3 Secure	1 GHz Dual Core	Built in	APAC region LTE module preinstalled	Reserved	-40 to 70°C
UC-8210-T-LX-S (CTO)	MIL3 (Debian 11) Secure or Standard, 2031 EOL	With MIL3 Secure	1 GHz Dual Core	Built in	-	-	-40 to 85°C
UC-8220-T-LX (CTO)	MIL3 (Debian 11) Secure or Standard, 2031 EOL	With MIL3 Secure	1 GHz Dual Core	-	Reserved	Reserved	-40 to 70°C
UC-8220-T-LX-US-S (CTO)	MIL3 (Debian 11) Secure or Standard, 2031 EOL	With MIL3 Secure	1 GHz Dual Core	Built in	US region LTE module preinstalled	Reserved	-40 to 70°C



Model Name	Operating System	IEC 62443-4-2	CPU	TPM	mPCIe Slot 1 for LTE Module	mPCIe Slot 2 for Wi-Fi Module	Operating Temperature
UC-8220-T-LX-EU-S (CTO)	MIL3 (Debian 11) Secure or Standard, 2031 EOL	With MIL3 Secure	1 GHz Dual Core	Built in	Europe region LTE module preinstalled	Reserved	-40 to 70°C
UC-8220-T-LX- AP-S (CTO)	MIL3 (Debian 11) Secure or Standard, 2031 EOL	With MIL3 Secure	1 GHz Dual Core	Built in	APAC region LTE module preinstalled	Reserved	-40 to 70°C

## アクセサリ（別売）

### Power Adapters

PWR-12150-EU-SA-T	Locking barrel plug, 12 VDC, 1.5 A, 100 to 240 VAC, EU plug, -40 to 75°C operating temperature
PWR-12150-UK-SA-T	Locking barrel plug, 12 VDC, 1.5 A, 100 to 240 VAC, UK plug, -40 to 75°C operating temperature
PWR-12150-USJP-SA-T	Locking barrel plug, 12 VDC 1.5 A, 100 to 240 VAC, US/JP plug, -40 to 75°C operating temperature
PWR-12150-AU-SA-T	Locking barrel plug, 12 VDC, 1.5 A, 100 to 240 VAC, AU plug, -40 to 75°C operating temperature
PWR-12150-CN-SA-T	Locking barrel plug, 12 VDC, 1.5 A, 100 to 240 VAC, CN plug, -40 to 75°C operating temperature

### Power Wiring

CBL-PJTB-10	Non-locking barrel plug to bare-wire cable
-------------	--

### Cables

CBL-F9DPF1x4-BK-100	Console cable with 4-pin connector, 1 m
---------------------	---

### Wi-Fi Wireless Modules

UC-8200-WLAN22-AC	Wireless package for UC-8200 V2.0 or later with Wi-Fi module, 2 screws, 2 spacers, 1 heat sink, 1 pad
-------------------	---

### Antennas

ANT-LTEUS-ASM-01	GSM/GPRS/EDGE/UMTS/HSPA/LTE, 1 dBi, omnidirectional rubber-duck antenna
ANT-LTE-ASM-04 BK	704 to 960/1710 to 2620 MHz, LTE omnidirectional stick antenna, 4.5 dBi
ANT-LTE-OSM-03-3m BK	700-2700 MHz, multiband antenna, specifically designed for 2G, 3G, and 4G applications, 3 m cable
ANT-LTE-ASM-05 BK	704-960/1710-2620 MHz, LTE stick antenna, 5 dBi
ANT-LTE-OSM-06-3m BK MIMO	Multiband antenna with screw-fastened mounting option for 700-2700/2400-2500/5150-5850 MHz frequencies
ANT-WDB-ARM-0202	2 dBi at 2.4 GHz or 2 dBi at 5 GHz, RP-SMA (male), dual-band, omnidirectional antenna

### DIN-Rail Mounting Kits

UC-8210 DIN-rail Mounting Kit	DIN-rail mounting kit for UC-8210 with 4 M3 screws
UC-8220 DIN-rail Mounting Kit	DIN-rail mounting kit for UC-8220 with 4 M3 screws

### Wall-Mounting Kits

UC-8200 Wall-mounting Kit	Wall-mounting kit for UC-8200 with 4 M3 screws
---------------------------	--

© Moxa Inc. All rights reserved.2024年2月07更新。

Moxa Inc.の明白な許可を書面で取得しない限り、本書およびその一部の複製や使用はいかなる方法やいかなる場合でも許可されません。製品の仕様は予告なく変更されることがあります。最新の製品情報については当社のWebサイトをご覧ください。