

EDS-2016-ML 系列

16 埠非網管型乙太網路交換器



特色與優點

- 10/100BaseT(X) (RJ45 連接器) 、100BaseFX (多 / 單模式、SC 或 ST 連接器)
- 支援 QoS 在高負荷流量中處理重要資料
- 發生電源故障和通訊埠連結中斷時可透過繼電器輸出警告
- IP30 等級金屬外殼
- 雙備援 12/24/48 VDC 電源輸入
- -40 至 75°C 操作溫度範圍 (-T 型號)

認證



簡介

EDS-2016-ML 系列工業級乙太網路交換器具有多達 16 個 10/100M 網路埠及兩組光纖連接埠，具有 SC/ST 連接頭選項，非常適合需要彈性工業級乙太網路連線的應用。此外，為了針對不同產業的應用提供更多的彈性，EDS-2016-ML 系列允許使用者透過外部面板 DIP 開啟或停用服務品質功能 (QoS) ，廣播風暴防護和連接埠中斷警報功能。

除了其小巧的尺寸外，EDS-2016-ML 系列還具有 12/24/48 VDC 雙備援電源輸入、DIN Rail 軌軌安裝、高等級 EMI/EMC 防護能力，-10 至 60°C 的操作溫度範圍，還有 -40 至 75°C 的寬溫度型號可供選擇。EDS-2016-ML 系列也通過 100% 的高溫測試，確保現場的穩定運作。

規格

Ethernet Interface

10/100BaseT(X) Ports (RJ45 connector)	EDS-2016-ML: 16 EDS-2016-ML-T: 16 EDS-2016-ML-MM-SC: 14 EDS-2016-ML-MM-SC-T: 14 EDS-2016-ML-MM-ST: 14 EDS-2016-ML-MM-ST-T: 14 EDS-2016-ML-SS-SC: 14 EDS-2016-ML-SS-SC-T: 14 Auto negotiation speed Full/Half duplex mode Auto MDI/MDI-X connection
100BaseFX Ports (multi-mode SC connector)	EDS-2016-ML-MM-SC: 2 EDS-2016-ML-MM-SC-T: 2
100BaseFX Ports (multi-mode ST connector)	EDS-2016-ML-MM-ST: 2 EDS-2016-ML-MM-ST-T: 2
100BaseFX Ports (single-mode SC connector)	EDS-2016-ML-SS-SC: 2 EDS-2016-ML-SS-SC-T: 2

Standards	IEEE 802.3 for 10BaseT IEEE 802.3u for 100BaseT(X) IEEE 802.3x for flow control IEEE 802.1p for Class of Service					
Optical Fiber	100BaseFX					
			Multi-Mode		Single-Mode (40 km)	Single-Mode (80 km)
	Fiber Cable Type	OM1	50/125 μ m		G.652	G.652
			800 MHz x km			
	Typical Distance		4 km	5 km	40 km	80 km
	Wavelength	Typical (nm)	1300		1310	1550
		TX Range (nm)	1260 to 1360		1280 to 1340	1530 to 1570
		RX Range (nm)	1100 to 1600		1100 to 1600	1100 to 1600
	Optical Power	TX Range (dBm)	-10 to -20		0 to -5	0 to -5
		RX Range (dBm)	-3 to -32		-3 to -34	-3 to -34
		Link Budget (dB)	12		29	29
		Dispersion Penalty (dB)	3		1	1
<p>Note: When connecting a single-mode fiber transceiver, we recommend using an attenuator to prevent damage caused by excessive optical power.</p> <p>Note: Compute the "typical distance" of a specific fiber transceiver as follows: Link budget (dB) > dispersion penalty (dB) + total link loss (dB).</p>						

DIP Switch Configuration

Ethernet Interface	Quality of Service (QoS), Broadcast storm protection, Port break alarm
--------------------	--

Input/Output Interface

Alarm Contact Channels	Relay output with current carrying capacity of 1 A @ 24 VDC
------------------------	---

Switch Properties

MAC Table Size	8 K
Packet Buffer Size	2 Mbits
Processing Type	Store and Forward

Power Parameters

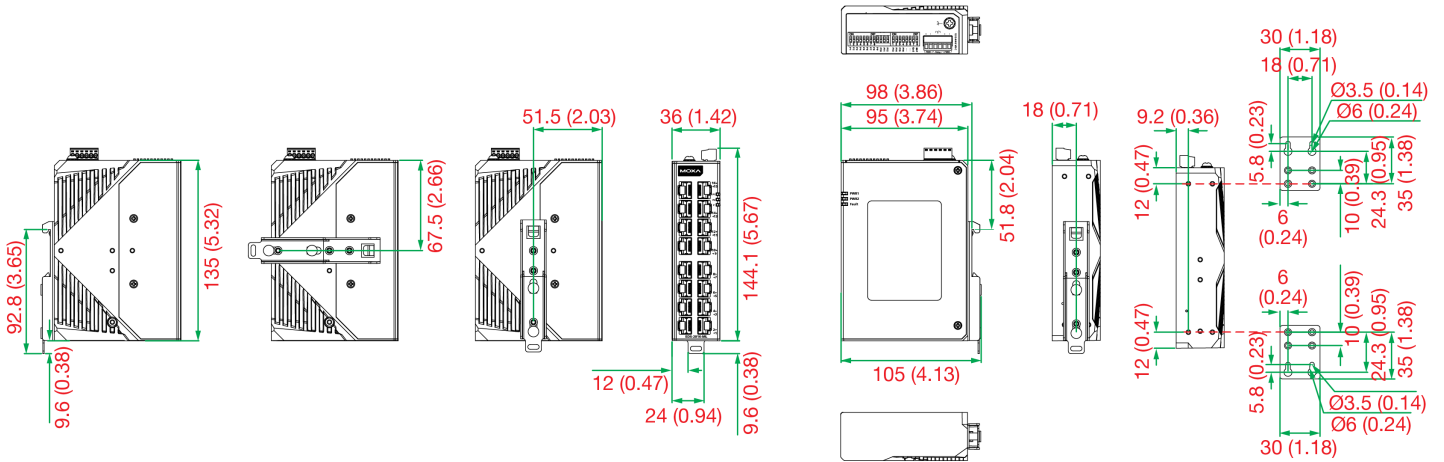
Connection	1 removable 6-contact terminal block(s)
Input Current	EDS-2016-ML: 0.108 A @ 24 VDC EDS-2016-ML-SS-SC: 0.204 A @ 24 VDC EDS-2016-ML-MM-SC: 0.192 A @ 24 VDC EDS-2016-ML-MM-ST: 0.204 A @ 24 VDC
Input Voltage	12/24/48 VDC, Redundant dual inputs
Operating Voltage	9.6 to 60 VDC

Overload Current Protection	Supported
Reverse Polarity Protection	Supported
Physical Characteristics	
Housing	Metal
IP Rating	IP30
Dimensions	EDS-2016-ML: 36 x 135 x 95 mm (1.41 x 5.31 x 3.74 in) EDS-2016-ML-MM-SC: 58 x 135 x 95 mm (2.28 x 5.31 x 3.74 in)
Weight	Non-fiber models: 486 g (1.07 lb) Fiber models: 648 g (1.43 lb)
Installation	DIN-rail mounting, Wall mounting (with optional kit)
Environmental Limits	
Operating Temperature	EDS-2016-ML: -10 to 60°C (14 to 140°F) EDS-2016-ML-T: -40 to 75°C (-40 to 167°F)
Storage Temperature (package included)	-40 to 85°C (-40 to 185°F)
Ambient Relative Humidity	5 to 95% (non-condensing)
Standards and Certifications	
Safety	UL 61010-2-201, EN 62368-1(LVD)
EMC	EN 55032/35
EMI	CISPR 32, FCC Part 15B Class A
EMS	IEC 61000-4-2 ESD: Contact: 6 kV; Air: 8 kV IEC 61000-4-3 RS: 80 MHz to 1 MHz: 20 V/m IEC 61000-4-4 EFT: Power: 2 kV; Signal: 2 kV IEC 61000-4-5 Surge: Power: 2 kV; Signal: 2 kV IEC 61000-4-6 CS: 10 V IEC 61000-4-8 PFMF
Railway	EN 50121-4
Vibration	IEC 60068-2-6
Shock	IEC 60068-2-27
Freefall	IEC 60068-2-32
MTBF	
Time	2,070,826 hrs
Standards	Telcordia (Bellcore), GB
Warranty	
Warranty Period	5 years
Details	See www.moxa.com/tw/warranty
Package Contents	
Device	1 x EDS-2016-ML Series switch
Installation Kit	4 x cap, plastic, for RJ45 port
Documentation	1 x quick installation guide 1 x warranty card

尺寸

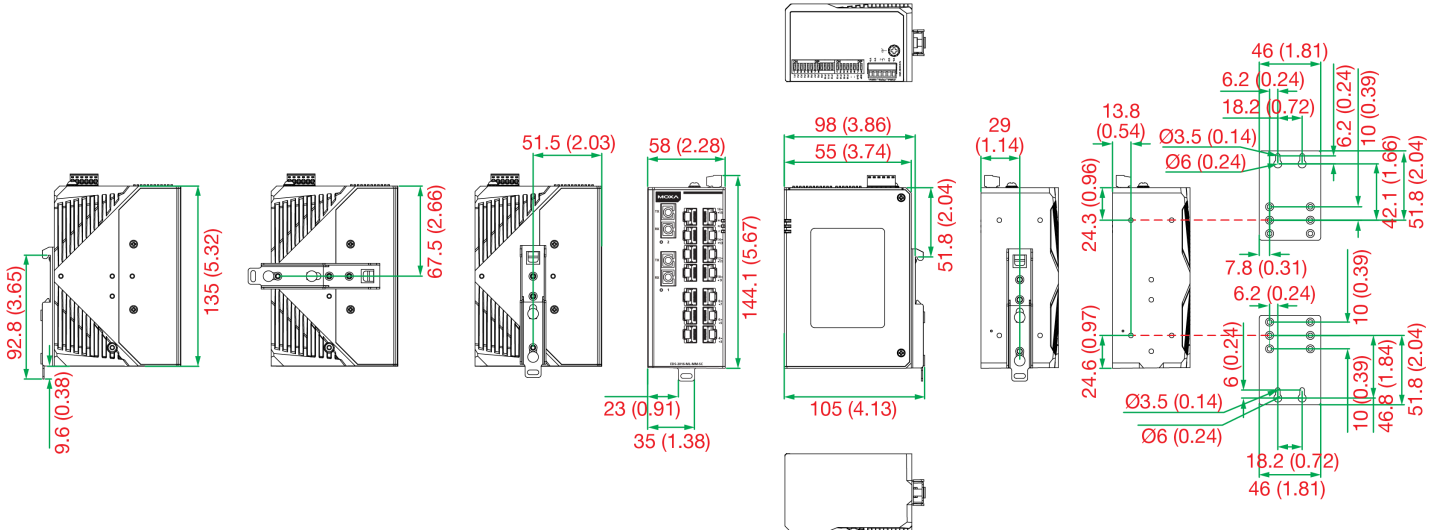
EDS-2016-ML Copper Series

單位：公釐 (英吋)



EDS-2016-ML Fiber Series

單位：公釐 (英吋)



訂購資訊

Model Name	10/100BaseT(X) Ports, RJ45 Connector	100BaseFX Ports Multi-mode, SC Connector	100BaseFX Ports Multi-mode, ST Connector	100BaseFX Ports Single-mode, SC Connector	Operating Temp.
EDS-2016-ML	16	-	-	-	-10 to 60°C
EDS-2016-ML-T	16	-	-	-	-40 to 75°C
EDS-2016-ML-MM-SC	14	2	-	-	-10 to 60°C
EDS-2016-ML-MM-SC-T	14	2	-	-	-40 to 75°C
EDS-2016-ML-MM-ST	14	-	2	-	-10 to 60°C
EDS-2016-ML-MM-ST-T	14	-	2	-	-40 to 75°C
EDS-2016-ML-SS-SC	14	-	-	2	-10 to 60°C
EDS-2016-ML-SS-SC-T	14	-	-	2	-40 to 75°C

配件 (選購)

Power Supplies

DR-120-24	120W/2.5A DIN-rail 24 VDC power supply with universal 88 to 132 VAC or 176 to 264 VAC input by switch, or 248 to 370 VDC input, -10 to 60°C operating temperature
DR-4524	45W/2A DIN-rail 24 VDC power supply with universal 85 to 264 VAC or 120 to 370 VDC input, -10 to 50°C operating temperature
DR-75-24	75W/3.2A DIN-rail 24 VDC power supply with universal 85 to 264 VAC or 120 to 370 VDC input, -10 to 60°C operating temperature
MDR-40-24	DIN-rail 24 VDC power supply with 40W/1.7A, 85 to 264 VAC, or 120 to 370 VDC input, -20 to 70°C operating temperature
MDR-60-24	DIN-rail 24 VDC power supply with 60W/2.5A, 85 to 264 VAC, or 120 to 370 VDC input, -20 to 70°C operating temperature

Wall-Mounting Kits

WK-30-02	Wall-mounting kit, 2 plates, 4 screws, 30 x 66.8 x 2 mm Applicable Models: EDS-2016-ML EDS-2016-ML-T
WK-46-01	Wall-mounting kit, 2 plates, 8 screws, 46 x 66.8 x 2 mm Applicable Models: EDS-2016-ML-MM-SC EDS-2016-ML-MM-SC-T EDS-2016-ML-MM-ST EDS-2016-ML-MM-ST-T EDS-2016-ML-SS-SC EDS-2016-ML-SS-SC-T

Rack-Mounting Kits

RK-4U	19-inch rack-mounting kit
-------	---------------------------

© Moxa Inc. 版權所有. 2020 年 12 月 30 日更新。

未經 Moxa Inc. 明確書面許可，不得以任何方式複製或使用本文件及其任何部分。產品規格如有變更，恕不另行通知。請至本公司官網了解最新的產品資訊。