

# PT-7710 系列

## IEC 61850-3 8+2G 連接埠 Layer2 Gigabit 模組化網管型機架式乙太網路交換器



### 特色與優點

- 符合 IEC 61850-3、IEEE 1613 (變電站) 和 EN50121-4 (鐵路應用)
- 符合部份 EN 50155 規格
- VLAN Unaware：支援由特定 IED 接收的優先順序標記訊框
- 最多 4 個連接埠，配備 M12 連接器
- 支援 Turbo Ring 和 Turbo Chain (對於 250 台交換器斷線復連時間小於 20 毫秒)<sup>1</sup>、RSTP/STP 和 MSTP 網路備援
- 通用電源供應範圍，12/24/48 VDC 或 110/220 VDC/VAC
- -40°C 到 85°C 操作溫度範圍

### 認證



### 簡介

PT-7710 專為滿足變電站自動化系統 (IEC 61850-3、IEEE 1613) 及鐵路應用 (EN 50121-4) 的需求而設計。PT-7710 的 Gigabit 和快速乙太網路骨幹、網路備援，以及 12/24/48 VDC 備援電源輸入，可提升通訊的可靠性，並降低線材與佈線成本。PT-7710 的模組化設計讓您輕鬆進行網路規劃，並可安裝最多 2 個 Gigabit 連接埠和 8 個快速乙太網路連接埠，或 10 個快速乙太網路連接埠，提供更大彈性。

### 附加特色與優點

- 命令列介面 (CLI) 快速設定主要網管功能
- VLAN Unaware：支援由特定 IED 接收的優先順序標記訊框
- DHCP Option 82 適用於以不同原則指派 IP 位址
- 支援 EtherNet/IP 和 Modbus TCP 工業級乙太網路通訊協定
- 自動恢復連線設備的 IP 位址
- 線路交換快速恢復
- IGMP Snooping 和 GMRP，用於篩選來自工業級乙太網路協定的廣播封包
- IEEE 802.3ad、LACP 提供最佳頻寬使用率
- 頻寬管理可防止無法預測的網路狀態
- 多埠監控可用於線上除錯
- 發生例外狀況時透過電子郵件和繼電器輸出自動發出警告
- RMON 提供主動且有效率的網路監控
- 可透過網頁瀏覽器、Telnet / 序列主控台、CLI、Windows 工具程式，以及 ABC-01 自動備份設定程式進行設定
- 支援 Turbo Ring 和 Turbo Chain (對於 250 台交換器斷線復連時間小於 20 毫秒)<sup>1</sup>、RSTP/STP 和 MSTP 網路備援

### 網路安全功能

- 具有多層安全性的使用者密碼可防止未經授權的設定
- 採用 SSH/HTTPS 進行密碼和資料加密
- 透過 802.1X 連接埠型網路存取控制來鎖定交換器連接埠，只有授權的用戶端才能存取連接埠
- RADIUS/TACACS+ 允許您從中控位置管理密碼
- 802.1Q VLAN 可讓您以邏輯方式分割在所選交換器連接埠之間傳輸的流量
- 安全交換器連接埠，僅讓特定裝置及 / 或 MAC 位址存取連接埠
- 停用一或多個連接埠以封鎖網路流量
- SNMPv3 提供加密驗證及存取安全性

1. Gigabit 乙太網路斷線復連時間小於 50 毫秒

## 規格

### Ethernet Interface

Cabling Direction	PT-7710-F Series: Front cabling PT-7710-D Series: Down cabling
Compatible Modules	Slot 1: PM-7200-8TX, PM-7200-2MSC4TX, PM-7200-2MST4TX, PM-7200-2SSC4TX, PM-7200-4MSC2TX, PM-7200-4MST2TX, PM-7200-4SSC2TX, PM-7200-6MSC, PM-7200-6MST, PM-7200-6SSC, PM-7200-8SFP, PM-7200-4M12, PM-7200-8MTRJ  Slot 2: PM-7200-2GTXSFP, PM-7200-1MSC, PM-7200-1MST, PM-7200-2MSC, PM-7200-2MST, PM-7200-2SSC
Standards	IEEE 802.1D-2004 for Spanning Tree Protocol IEEE 802.1p for Class of Service IEEE 802.1Q for VLAN Tagging IEEE 802.1s for Multiple Spanning Tree Protocol IEEE 802.1w for Rapid Spanning Tree Protocol IEEE 802.1X for authentication IEEE 802.3 for 10BaseT IEEE 802.3ab for 1000BaseT(X) IEEE 802.3ad for Port Trunk with LACP IEEE 802.3u for 100BaseT(X) and 100BaseFX IEEE 802.3x for flow control IEEE 802.3z for 1000BaseSX/LX/LHX/ZX

### Ethernet Software Features

Filter	802.1Q, GMRP, GVRP, IGMP v1/v2c, Port-based VLAN, VLAN unaware
Industrial Protocols	EtherNet/IP, Modbus TCP
Management	Back Pressure Flow Control, BOOTP, DHCP Option 66/67/82, DHCP Server/Client, Flow control, HTTP, IPv4/IPv6, LLDP, Port Mirror, RARP, RMON, SMTP, SNMP Inform, SNMPv1/v2c/v3, Syslog, Telnet, TFTP
MIB	Bridge MIB, Ethernet-like MIB, MIB-II, P-BRIDGE MIB, Q-BRIDGE MIB, RMON MIB Groups 1, 2, 3, 9, RSTP MIB
Power Substation	IEC 61850 QoS
Redundancy Protocols	Link Aggregation, MSTP, RSTP, STP, Turbo Chain, Turbo Ring v1/v2
Security	Broadcast storm protection, HTTPS/SSL, TACACS+, Port Lock, RADIUS, Rate Limit, SSH
Time Management	NTP Server/Client, SNTP

### Switch Properties

IGMP Groups	256
Max. No. of VLANs	64
VLAN ID Range	VID 1 to 4094
Priority Queues	4

### Serial Interface

Console Port	RS-232 (RJ45)
--------------	---------------

### Input/Output Interface

Alarm Contact Channels	Resistive load: 3 A @ 30 VDC, 240 VAC
------------------------	---------------------------------------

### Power Parameters

Connection	10-pin terminal block
Input Voltage	PT-7710-LV Series: 12/24/48 VDC (9 to 60 VDC) PT-7710-HV Series: 110/220 VAC/VDC (88 to 300 VAC, 85 to 264 VDC)

Overload Current Protection	Supported
Reverse Polarity Protection	Supported
Input Current	PT-7710-LV Series: 0.75 A @ 0.24 VDC, 0.39 A @ 48 VDC PT-7710-HV Series: 0.19/0.11 A @ 110/220 VAC, 0.16/0.10 A @ 110/220 VDC

### Physical Characteristics

Housing	Aluminum
IP Rating	IP30
Dimensions (without ears)	266.5 x 44 x 195 mm (10.5 x 1.7 x 7.7 in)
Weight	2200 g (4.89 lb)
Installation	PT-7710-F Series: 19-inch rack mounting, PT-7710-D Series: Wall mounting

### Environmental Limits

Operating Temperature	-40 to 85°C (-40 to 185°F) Note: Cold start requires minimum of 100 VAC @ -40°C
Storage Temperature (package included)	-40 to 85°C (-40 to 185°F)
Ambient Relative Humidity	5 to 95% (non-condensing)

### Standards and Certifications

Safety	EN 60950-1, UL 60950-1, CSA C22.2 No. 60950-1
EMI	EN 55032 Class A, CISPR 32, FCC Part 15B Class A
EMS	IEC 61000-4-2 ESD: Contact: 8 kV; Air: 15 kV IEC 61000-4-3 RS: 80 MHz to 1 GHz: 35 V/m IEC 61000-4-4 EFT: Power: 4 kV; Signal: 4 kV PT-7710-HV Series: IEC 61000-4-5 Surge: Power: 4 kV; Signal: 4 kV PT-7710-LV Series: IEC 61000-4-5 Surge: Power: 2 kV; Signal: 4 kV IEC 61000-4-6 CS: 10 V IEC 61000-4-8 PFMF IEC 61000-4-11 DIPs
Power Substation	IEC 61850-3, IEEE 1613
Railway	EN 50121-4, EN 50155 (complies with a portion of EN 50155 specifications)
Traffic Control	NEMA TS2

### MTBF

Time	316,716 hrs
Standards	Telcordia SR332

### Warranty

Warranty Period	5 years
Details	See <a href="http://www.moxa.com/tw/warranty">www.moxa.com/tw/warranty</a>

### Package Contents

Device	1 x PT-7710 Series switch
Cable	1 x DB9 female to RJ45 10-pin
Installation Kit	4 x cap, plastic, for RJ45 port 2 x rack-mounting ear

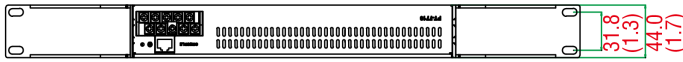
Documentation	1 x document and software CD 1 x quick installation guide 1 x warranty card 1 x product certificates of quality inspection, Simplified Chinese 1 x product notice, Simplified Chinese
Note	SFP modules and/or modules from the PM-7200 Module Series need to be purchased separately for use with this product.

## 尺寸

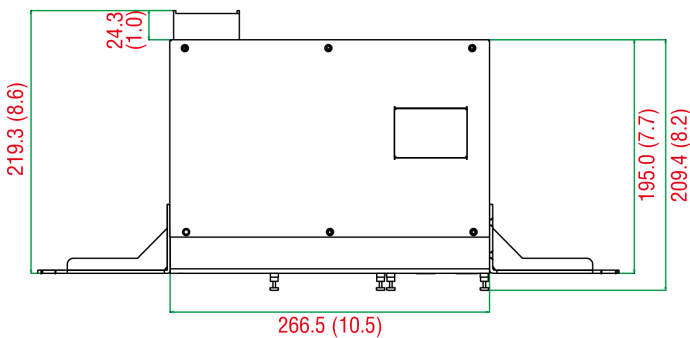
### Rack Mounting

### Wall Mounting

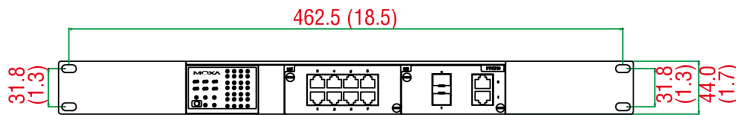
單位：公釐 (英寸)



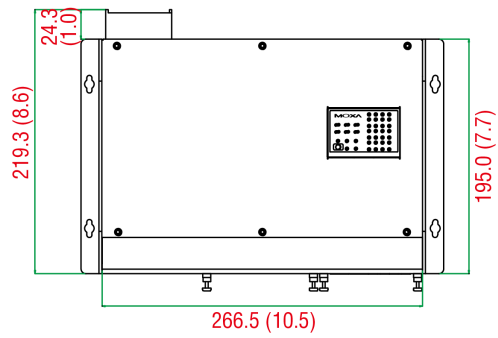
Rear View



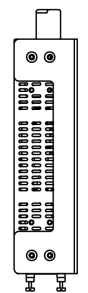
Top View



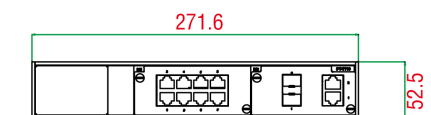
Front View



Top View



Side View



Front View

## 訂購資訊

Model Name	Max. No. of Ports	Max. No. of Gigabit Ports	Max. No. of Fast Ethernet Ports	Cabling	Input Voltage	Operating Temp.
PT-7710-F-HV	10	2	8	Front	110/220 VDC/VAC	-45 to 85°C
PT-7710-F-LV	10	2	8	Front	12/24/48 VDC	-45 to 85°C
PT-7710-D-HV	10	2	8	Down	110/220 VDC/VAC	-45 to 85°C
PT-7710-D-LV	10	2	8	Down	12/24/48 VDC	-45 to 85°C

## 配件 (選購)

### PM-7200 Module Series

PM-7200-1MSC	Fast Ethernet module with 1 100BaseFX multi-mode port with SC connector
PM-7200-1MST	Fast Ethernet module with 1 100BaseFX multi-mode port with ST connector
PM-7200-2GTXSFP	Gigabit Ethernet module with 2 10/100/1000BaseT(X) or 1000BaseSFP slot combo ports
PM-7200-2MSC	Fast Ethernet module with 2 100BaseFX multi-mode ports with SC connectors
PM-7200-2MSC4TX	Fast Ethernet module with 2 100BaseFX multi-mode ports with SC connectors and 4 10/100BaseT(X) ports

PM-7200-2MST	Fast Ethernet module with 2 100BaseFX multi-mode ports with ST connectors
PM-7200-2MST4TX	Fast Ethernet module with 2 100BaseFX multi-mode ports with ST connectors and 4 10/100BaseT(X) ports
PM-7200-2SSC	Fast Ethernet module with 2 100BaseFX single-mode ports with SC connectors
PM-7200-2SSC4TX	Fast Ethernet module with 2 100BaseFX single-mode ports with SC connectors and 4 10/100BaseT(X) ports
PM-7200-4M12	Fast Ethernet module with 4 10/100BaseT(X) ports with M12 connectors
PM-7200-4MSC2TX	Fast Ethernet module with 4 100BaseFX multi-mode ports with SC connectors and 2 10/100BaseT(X) ports
PM-7200-4MST2TX	Fast Ethernet module with 4 100BaseFX multi-mode ports with ST connectors and 2 10/100BaseT(X) ports
PM-7200-4SSC2TX	Fast Ethernet module with 4 100BaseFX single-mode ports with SC connectors and 2 10/100BaseT(X) ports
PM-7200-6MSC	Fast Ethernet module with 6 100BaseFX multi-mode ports with SC connectors
PM-7200-6MST	Fast Ethernet module with 6 100BaseFX multi-mode ports with ST connectors
PM-7200-6SSC	Fast Ethernet module with 6 100BaseFX single-mode ports with SC connectors
PM-7200-8SFP	Fast Ethernet module with 8 100BaseSFP slots
PM-7200-8TX	Fast Ethernet module with 8 10/100BaseT(X) ports
PM-7200-8MTRJ	Fast Ethernet module with 8 100BaseFX multi-mode ports with MTRJ connectors

### Storage Kits

ABC-01	Configuration backup and restoration tool for managed Ethernet switches and AWK Series wireless APs/bridges/clients, 0 to 60°C operating temperature
--------	--

### SFP Modules

SFP-1FELLC-T	SFP module with 1 100Base single-mode with LC connector for 80 km transmission, -40 to 85°C operating temperature
SFP-1FEMLC-T	SFP module with 1 100Base multi-mode with LC connector for 4 km transmission, -40 to 85°C operating temperature
SFP-1FESLC-T	SFP module with 1 100Base single-mode with LC connector for 40 km transmission, -40 to 85°C operating temperature
SFP-1G10ALC	WDM-type (BiDi) SFP module with 1 1000BaseSFP port with LC connector for 10 km transmission; TX 1310 nm, RX 1550 nm, 0 to 60°C operating temperature
SFP-1G10ALC-T	WDM-type (BiDi) SFP module with 1 1000BaseSFP port with LC connector for 10 km transmission; TX 1310 nm, RX 1550 nm, -40 to 85°C operating temperature
SFP-1G10BLC	WDM-type (BiDi) SFP module with 1 1000BaseSFP port with LC connector for 10 km transmission; TX 1550 nm, RX 1310 nm, 0 to 60°C operating temperature
SFP-1G10BLC-T	WDM-type (BiDi) SFP module with 1 1000BaseSFP port with LC connector for 10 km transmission; TX 1550 nm, RX 1310 nm, -40 to 85°C operating temperature
SFP-1G20ALC	WDM-type (BiDi) SFP module with 1 1000BaseSFP port with LC connector for 20 km transmission; TX 1310 nm, RX 1550 nm, 0 to 60°C operating temperature
SFP-1G20ALC-T	WDM-type (BiDi) SFP module with 1 1000BaseSFP port with LC connector for 20 km transmission; TX 1310 nm, RX 1550 nm, -40 to 85°C operating temperature
SFP-1G20BLC	WDM-type (BiDi) SFP module with 1 1000BaseSFP port with LC connector for 20 km transmission; TX 1550 nm, RX 1310 nm, 0 to 60°C operating temperature
SFP-1G20BLC-T	WDM-type (BiDi) SFP module with 1 1000BaseSFP port with LC connector for 20 km transmission; TX 1550 nm, RX 1310 nm, -40 to 85°C operating temperature
SFP-1G40ALC	WDM-type (BiDi) SFP module with 1 1000BaseSFP port with LC connector for 40 km transmission; TX 1310 nm, RX 1550 nm, 0 to 60°C operating temperature
SFP-1G40ALC-T	WDM-type (BiDi) SFP module with 1 1000BaseSFP port with LC connector for 40 km transmission; TX 1310 nm, RX 1550 nm, -40 to 85°C operating temperature
SFP-1G40BLC	WDM-type (BiDi) SFP module with 1 1000BaseSFP port with LC connector for 40 km transmission; TX 1550 nm, RX 1310 nm, 0 to 60°C operating temperature

SFP-1G40BLC-T	WDM-type (BiDi) SFP module with 1 1000BaseSFP port with LC connector for 40 km transmission; TX 1550 nm, RX 1310 nm, -40 to 85°C operating temperature
SFP-1GEZXLC	SFP module with 1 1000BaseEZX port with LC connector for 110 km transmission, 0 to 60°C operating temperature
SFP-1GEZXLC-120	SFP module with 1 1000BaseEZX port with LC connector for 120 km transmission, 0 to 60°C operating temperature
SFP-1GLHLC	SFP module with 1 1000BaseLH port with LC connector for 30 km transmission, 0 to 60°C operating temperature
SFP-1GLHLC-T	SFP module with 1 1000BaseLH port with LC connector for 30 km transmission, -40 to 85°C operating temperature
SFP-1GLHXLC	SFP module with 1 1000BaseLHX port with LC connector for 40 km transmission, 0 to 60°C operating temperature
SFP-1GLHXLC-T	SFP module with 1 1000BaseLHX port with LC connector for 40 km transmission, -40 to 85°C operating temperature
SFP-1GLSXLC	SFP module with 1 1000BaseLSX port with LC connector for 500 m transmission, 0 to 60°C operating temperature
SFP-1GLSXLC-T	SFP module with 1 1000BaseLSX port with LC connector for 500 m transmission, -40 to 85°C operating temperature
SFP-1GLXLC	SFP module with 1 1000BaseLX port with LC connector for 10 km transmission, 0 to 60°C operating temperature
SFP-1GLXLC-T	SFP module with 1 1000BaseLX port with LC connector for 10 km transmission, -40 to 85°C operating temperature
SFP-1GSXLC	SFP module with 1 1000BaseSX port with LC connector for 300/550 m transmission, 0 to 60°C operating temperature
SFP-1GSXLC-T	SFP module with 1 1000BaseSX port with LC connector for 300/550 m transmission, -40 to 85°C operating temperature
SFP-1GZXLC	SFP module with 1 1000BaseZX port with LC connector for 80 km transmission, 0 to 60°C operating temperature
SFP-1GZXLC-T	SFP module with 1 1000BaseZX port with LC connector for 80 km transmission, -40 to 85°C operating temperature

## Software

MXview-50	Industrial network management software with a license for 50 nodes (by IP address)
MXview-100	Industrial network management software with a license for 100 nodes (by IP address)
MXview-250	Industrial network management software with a license for 250 nodes (by IP address)
MXview-500	Industrial network management software with a license for 500 nodes (by IP address)
MXview-1000	Industrial network management software with a license for 1000 nodes (by IP address)
MXview-2000	Industrial network management software with a license for 2000 nodes (by IP address)
MXview Upgrade-50	License expansion of MXview industrial network management software by 50 nodes (by IP address)

© Moxa Inc. 版權所有. 2020 年 6 月 05 日更新。

未經 Moxa Inc. 明確書面許可，不得以任何方式複製或使用本文件及其任何部分。產品規格如有變更，恕不另行通知。請至本公司官網了解最新的產品資訊。